



OBN

Back -Lit Special Message Sign



IMPORTANT SAFEGUARDS

When using electrical equipment, basic safety precautions should always be followed including the following.

READ AND FOLLOW ALL SAFETY INSTRUCTIONS

1. Do not let power supply cords touch hot surfaces
2. Do not use outdoors
3. Suitable for use in Damp locations
4. Do not mount near gas or electric heaters
5. Equipment should be mounted in locations and at heights where it will not readily be subject to tampering by unauthorized personnel.
6. The use of accessory equipment not authorized by the manufacturer may cause an unsafe condition.
7. Do not use this equipment for other than its intended purpose.
8. Servicing of this equipment should be performed by qualified service personnel.

Installer

- **SEE UNIT LABEL FOR ADDITIONAL MODEL SPECIFICATIONS**
- **SAVE THESE INSTRUCTIONS FOR USE BY OWNER/OCCUPANT**

WARNING – This product contains chemicals known to the State of California to cause cancer, birth defects and/or other reproductive harm. Thoroughly wash hands after installing, handling, cleaning, or otherwise touching this product.

Caution: Wire all line conductors of the branch circuit supply through an air gap disconnect switch that is capable of being locked in the off (open) position and is within the light of sign of any section of the sign that is energized. The off position of the switch is to be marked “OFF” and when the switch is actuated vertically, the down position shall be the off position.

Install on a branch circuit protected by a maximum 20A breaker.

INSTALLATION

Note: This sign may be shipped with the housing and message panel packaged separately. Please refer to the 'Panel addition/Replacement' section for steps to add the message panel to the sign housing.

BACK MOUNT INSTALLATION (Fig 1.)

1. Turn OFF AC power.
2. Separate the backplate from the sign housing by removing the (2) retaining screws (B).
3. If the message panel is not already attached to the sign, then refer to the 'Panel addition/Replacement' section.
4. Remove the appropriate knockouts on the backplate. Route the supply leads of the driver board and the sign ground lead through the 7/8" dia. hole in the center of the backplate.
5. Re-attach the backplate to the sign housing using the screws (B) previously removed in step 2.
6. Route the supply and the ground leads through the hole of the mounting bracket and into the junction box in the wall.
7. Complete wiring connections inside the junction box. Refer to the 'Wiring Diagram' section.
8. Securely attach the mounting bracket to the junction box using the screws provided.
9. Securely mount the housing using the (2) square holes on the backplate and the hooks on the mounting bracket. Lock from the bottom using the self-tapping screw (C) to finish installation.
10. Turn ON AC power and the sign should now be lit up.

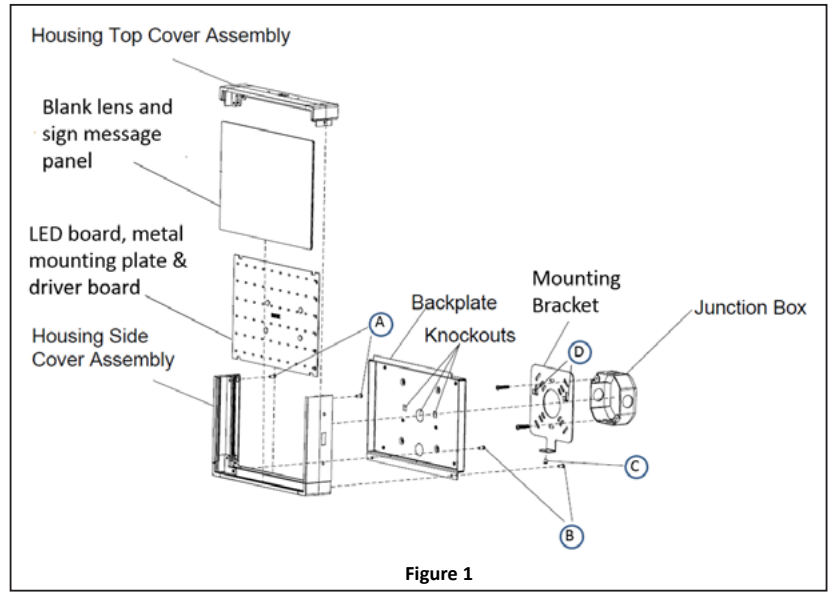


Figure 1

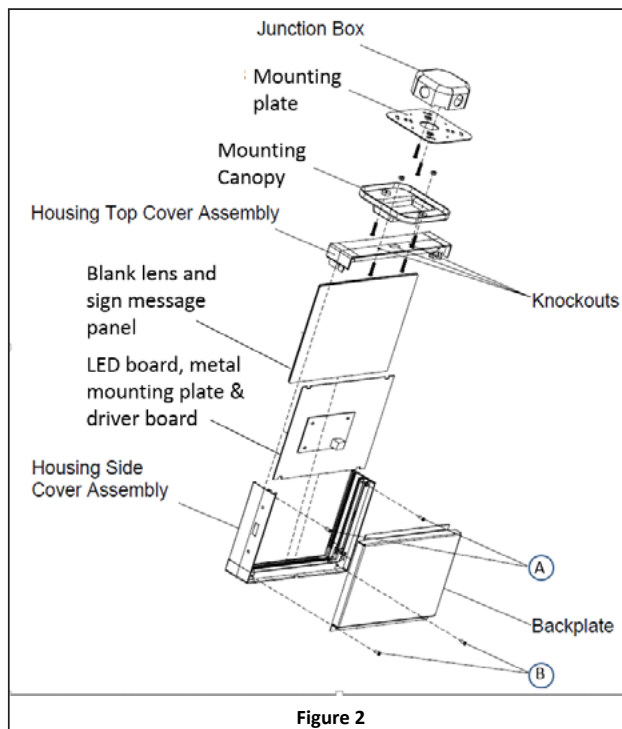


Figure 2

CEILING/END MOUNT INSTALLATION (Fig. 2)

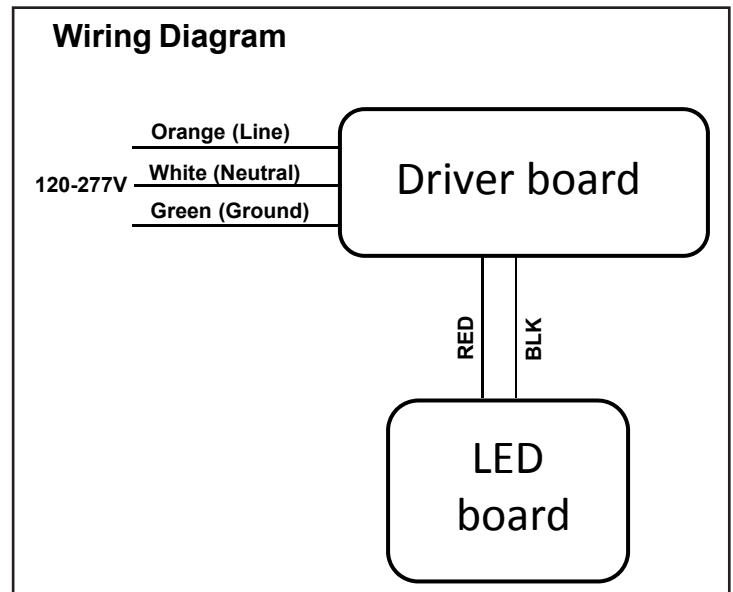
1. Turn OFF AC power
2. Separate the wall-mount backplate from housing by removing the (2) retaining screws (B).
3. If the message panel is not already attached to the sign, then refer to the 'Panel addition/Replacement' section.
4. Remove the appropriate knockouts on the housing top (for ceiling-mount install) or side (for end-mount install) cover assembly. Attach the mounting canopy to the assembly using the screws provided. Route the supply leads of the driver board and the sign ground lead through the hole in the center of the assembly and the canopy.
5. Attach the ceiling-mount backplate to sign housing using the (2) retaining screws (B).
6. Route the supply and the ground leads through the hold of the mounting bracket and into the junction box in the wall or ceiling.
7. Complete wiring connections inside the junction box. Refer to the 'Wiring Diagram' section.
8. Securely attach the mounting plate to the junction box using the screws provided. Securely attach the canopy to the plate using the screws provided to finish the installation.
9. Turn ON AC power and the sign should now light up.

RECESSED MOUNT INSTALLATION (Fig. 3)

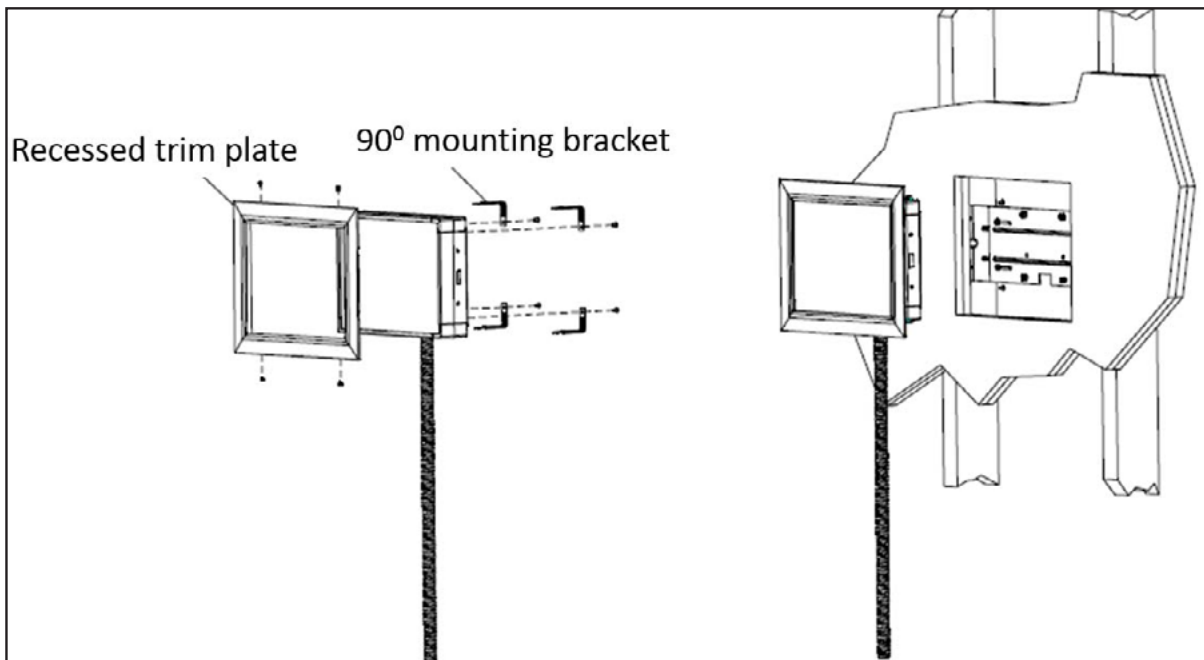
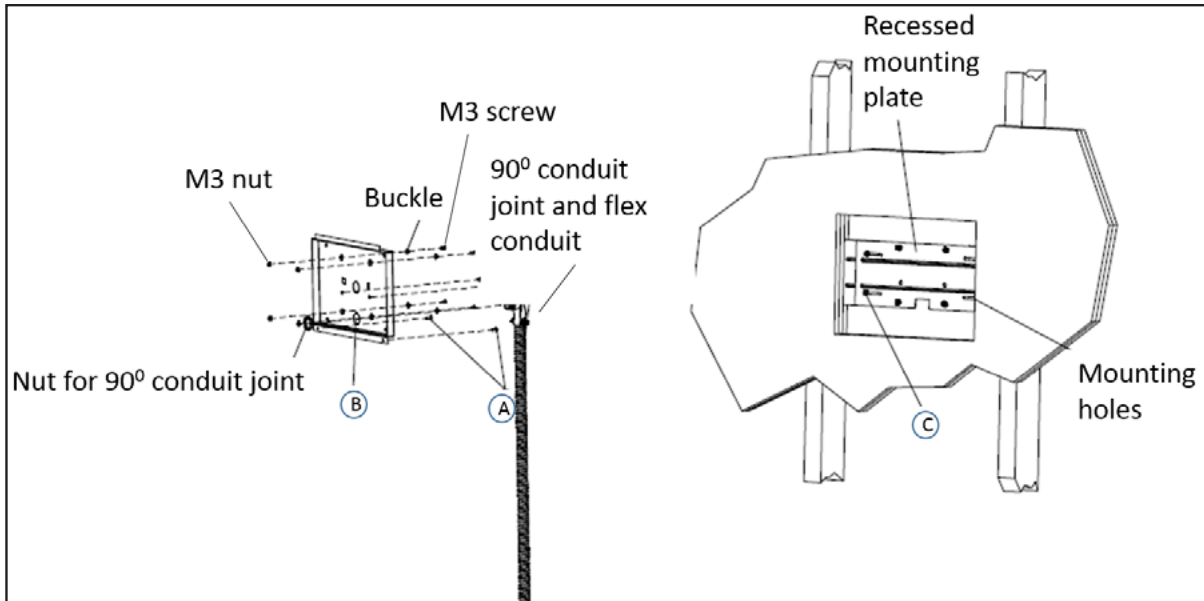
1. Turn OFF AC power
2. Separate the wall-mount back plate from sign housing by removing the (2) retaining screws (A)
3. Attach buckles on the backplate using the M3 screws and nuts. Also, attach the (2) guide posts to the backplate. Remove the 7/8"dia. knockout (B) in the bottom and attach the 90° conduit joint to it. Route the supply leads of the driver board and the sign ground lead through the 90° conduit joint and the metal conduit.
4. If the message panel is not already attached to the sign, then refer to the 'Panel addition/Replacement' section.
5. Re-attach the backplate to the sign housing using the screws (A) previously removed in step 2.
6. Attach the (4) 90° mounting brackets (from their short end) to the backplate using the self-tapping screws provided. Securely attach the recessed trim panel to the other end of the (4) 90° mounting brackets using screws provided.
7. Using the template provided, cut a hole in the wall. Slide the recessed mounting plate through the hole. Extend the side plates as needed using the wing nuts (C). Ensuring that the distance between the surface of the recessed mounting plate and the wall surface is less than 68mm, securely attach the plate to the wall studs using screws provided.
8. Attach the metal conduit to a junction box and complete wiring connections inside the box. Refer to the 'Wiring Diagram' section.
9. Slide the housing through the hole opening and with the guide posts aligned, snap onto the recessed mounting plate to complete installation
10. Turn ON AC power and the sign should now light up.

PANEL ADDITION/REPLACEMENT

1. Separate the wall-mount backplate from sign housing by removing the (2) retaining screws (B) as shown in Figure 1.
2. Separate the housing top cover assembly from sign housing by removing the (2) retaining screws (A) as shown in Figure 1.
3. Slide in the message panel right behind the blank panel.
4. Re-attach the housing top cover assembly to the sign housing using the (2) screws previously removed in step 2.
5. Re-attach the appropriate backplate to the sign housing using the (2) screws previously removed in step 1.



INSTALLATION



RECYCLING INFORMATION

All steel, aluminum and thermoplastic parts are recyclable.

All cartons contain recycled materials.

Please recycle responsibly.

Hubbell Lighting, Inc. Life Safety Products • dual-lite.com

© 2017 Hubbell Lighting, Inc., All Rights Reserved • Specifications subject to change without notice. • Printed in U.S.A.

DL_0604053_OBN_INSTR 11/17