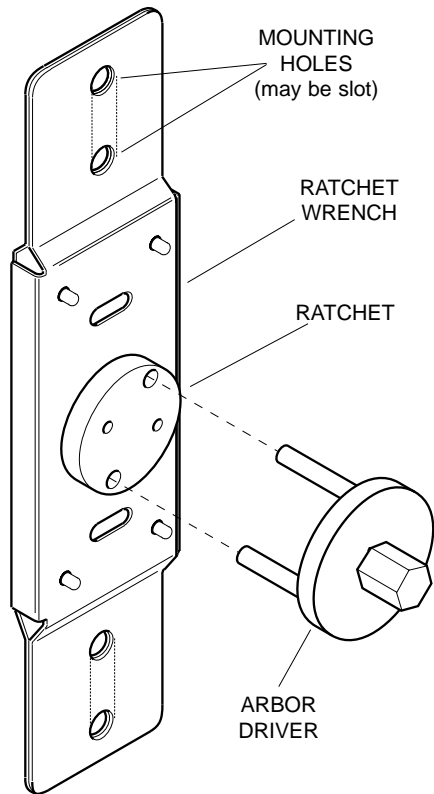


SUPPLEMENTAL MAINTENANCE INSTRUCTIONS SPRING ADJUSTMENT— ELECTRIC CABLE and HOSE REELS

To be used in place of spanner wrench when adjusting specified larger and/or multiple spring reels.



GENERAL COMPONENTS

Must be used to adjust reels with springs and pre-tension turns indicated by gray area on table below. Spring number and pre-tension turns are included in reel model number.

Spring	Pre-tension Turns					
	1	2	3	4	5	6
802						
803						
752						
753						
804						
1001						
754						
1002						
1003						
1004						

CAUTION
Adjust spring only when cable is fully rewound (machine closest to reel or cable stop against guide) and securely anchored. Adjusting with cable stretched or un-secured could result in equipment damage or personal injury.

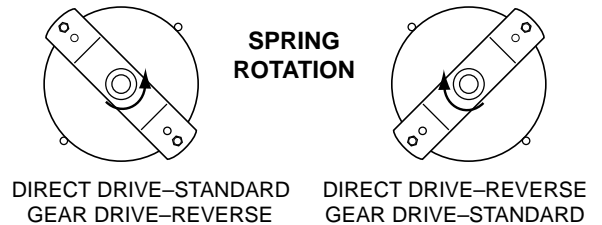


Figure 1

1. Remove ratchet wrench from storage position on face of spring canister (Fig 2).
2. Remove access cover and gasket from spring canister (Fig 2).
3. Remove arbor driver from wrench. Rotate wrench 90°. Remove hex nuts from two diagonal spring mounting studs and mount wrench using hex nuts (Fig 3). Rotation direction arrow on wrench indicates direction hub is to be turned to tension spring and must match direction shown in Figure 1, above.
4. Insert arbor driver thru ratchet, turning ratchet until pins in arbor driver can be inserted into corresponding holes in spring hub.
5. Using long handled 3/4" wrench, apply tension to spring by turning arbor drive in direction indicated by arrow on ratchet wrench.

NOTE: If new installation, apply number of full 360° turns indicated by last digit on model number.

6. When spring is properly tensioned, remove ratchet wrench and replace hex nuts on spring mounting studs. Replace access cover and gasket. Store ratchet wrench on extension bolts, placing arbor driver between spring canister and wrench (Fig 2).

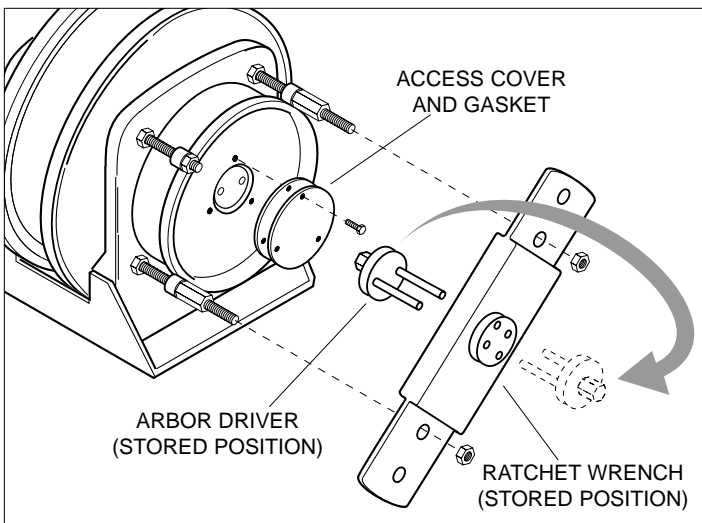


Figure 2

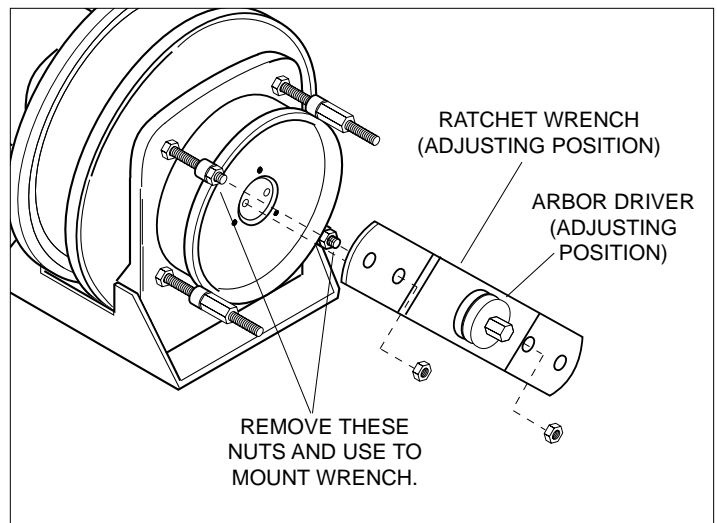


Figure 3



GLEASON REEL CORP.
600 South Clark St. Mayville, WI 53050-0026
Phone 920-387-4120
Fax 920-387-4189