

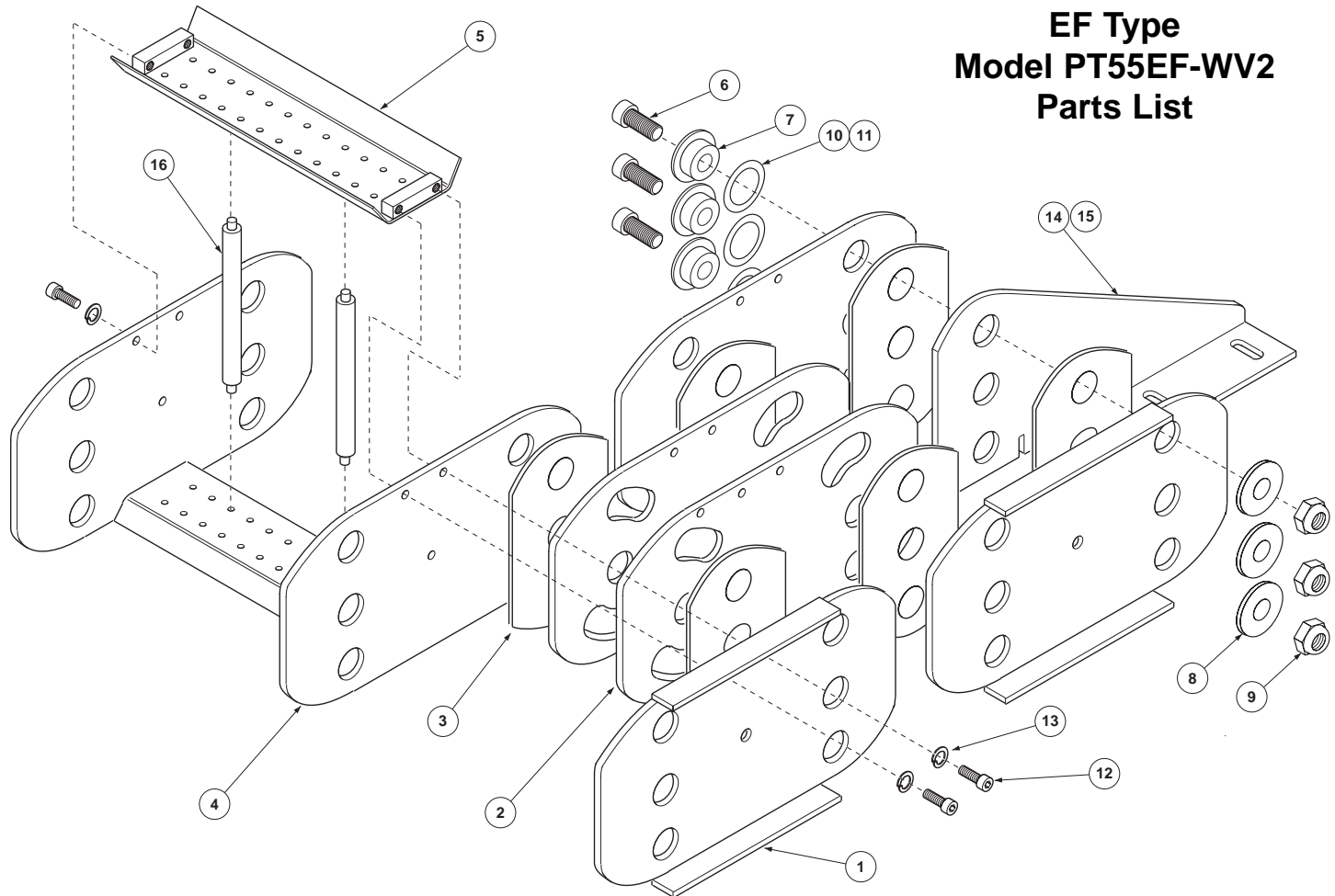
GLEASON® PowerTrak

EF Type Model PT55EF-WV2 Parts List

| ITEM | DESCRIPTION | PART NO. |
|-------|------------------------------|----------|
| 1 | Outer Link | P55E-99 |
| 2 | Inner Link—11.22 radius | P55E-01 |
| | " 15.00 radius | P55E-02 |
| | " 18.69 radius | P55E-03 |
| | " 24.31 radius | P55E-04 |
| | " 30.00 radius | P55E-05 |
| | " 36.00 radius | P55E-06 |
| 3 | Anti-friction Plate | 028054 |
| 4 & 5 | —See Below— | |
| 6 | Socket Hd Cap Screw | 051116 |
| 7 | Flanged Bushing | 051114 |
| 8 | Washer | 051115 |
| 9 | Hex Locknut | 028268 |
| 10 | Shim Washer, .01 thick* | 028915 |
| 11 | Shim Washer, .02 thick* | 028916 |
| 12 | Skt. Hd. CSCR, M6-1.0 x 16 | 028920 |
| 13 | Lockwasher, M6 | 028912 |
| 14 | P55E Mounting Bracket, L.H. | P07-331 |
| 15 | P55E Mounting Bracket, R.H. | P07-332 |
| 16 | P55E Vertical Separating Rod | 028909 |

* Not required on all systems.

| CARRIER WIDTH | ITEM 4 CHANNEL WELDMENT | ITEM 5 CHANNEL CARRIER |
|---------------|-------------------------|------------------------|
| 6.00" | 02890001 | 02889501 |
| 8.00" | 02890002 | 02889502 |
| 10.00" | 02890003 | 02889503 |
| 12.00" | 02890004 | 02889504 |
| 14.00" | 02890005 | 02889505 |
| 16.00" | 02890006 | 02889506 |
| 18.00" | 02890007 | 02889507 |
| 20.00" | 02890008 | 02889508 |
| 22.00" | 02890009 | 02889509 |
| 24.00" | 02890010 | 02889510 |



GLEASON REEL CORP.
600 South Clark St.
Mayville, WI 53050-0026
Phone 920-387-4120 • Fax 920-387-4189