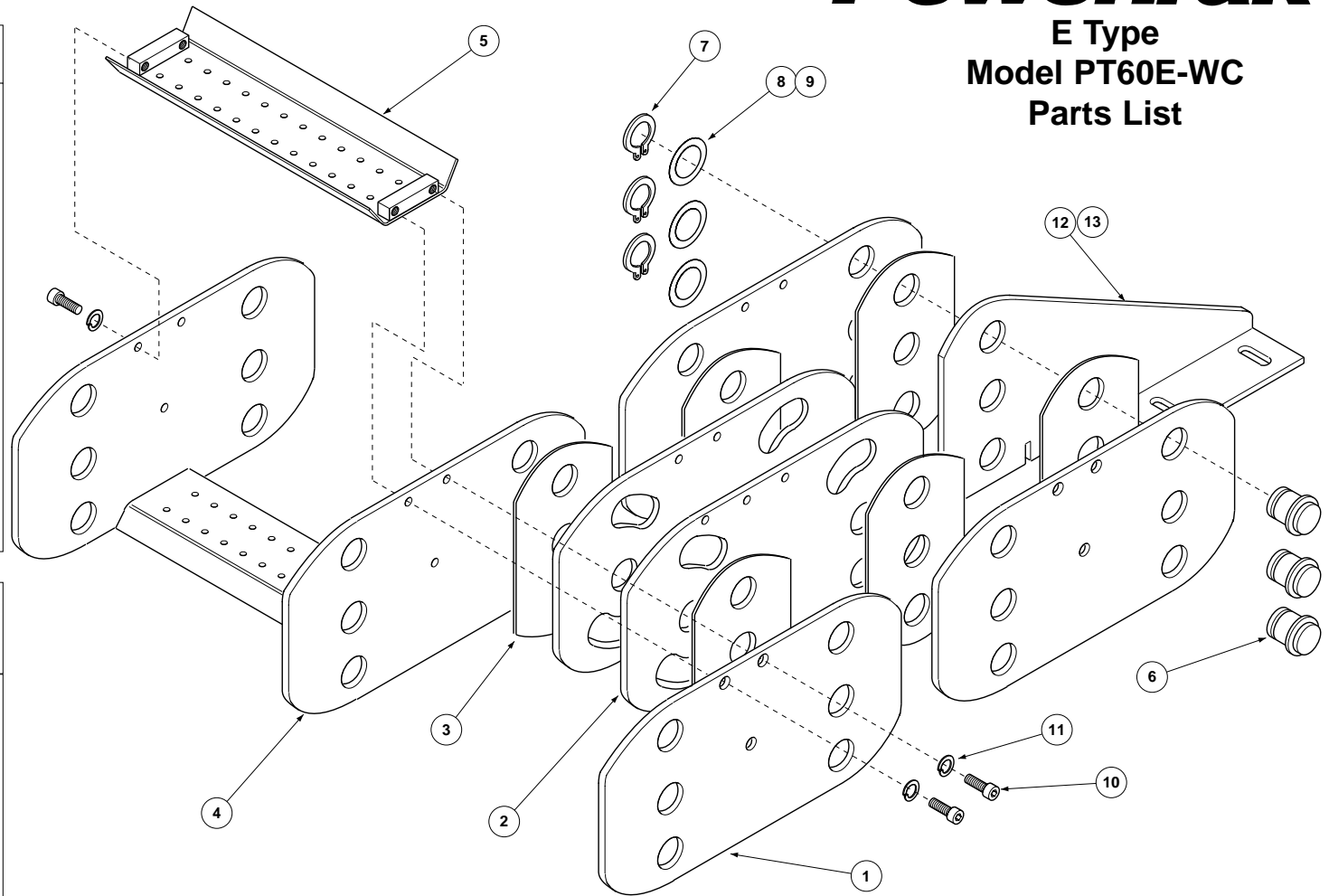


# GLEASON® PowerTrak

## E Type Model PT60E-WC Parts List

ITEM	DESCRIPTION	PART NO.
1	Outer Link	P60E-98
2	Inner Link—11.00 radius	P60E-01
	" 14.81 radius	P60E-02
	" 20.50 radius	P60E-03
	" 24.12 radius	P60E-04
	" 29.50 radius	P60E-05
	" 36.00 radius	P60E-06
3	Anti-friction Plate	028922
4 & 5	—See Below—	
6	Hinge Pin	P04-74
7	Retaining Ring	111538
8	Shim Washer, 1.03 ID x .01 thick	028915
9	Shim Washer, 1.03 ID x .02 thick	028916
10	Skt. Hd. CSCR, M6-1.0 x 16	028920
11	Lockwasher, M6	028912
12	Mounting Bracket, L.H.	P07-345
13	Mounting Bracket, R.H.	P07-346



CARRIER WIDTH	ITEM 4 CHANNEL WELDMENT	ITEM 5 CHANNEL CARRIER
6.00"	02892301	02889501
8.00"	02892302	02889502
10.00"	02892303	02889503
12.00"	02892304	02889504
14.00"	02892305	02889505
16.00"	02892306	02889506
18.00"	02892307	02889507
20.00"	02892308	02889508
22.00"	02892309	02889509
24.00"	02892310	02889510



**GLEASON REEL CORP.**  
600 South Clark St.  
Mayville, WI 53050-0026  
Phone 920-387-4120 • Fax 920-387-4189