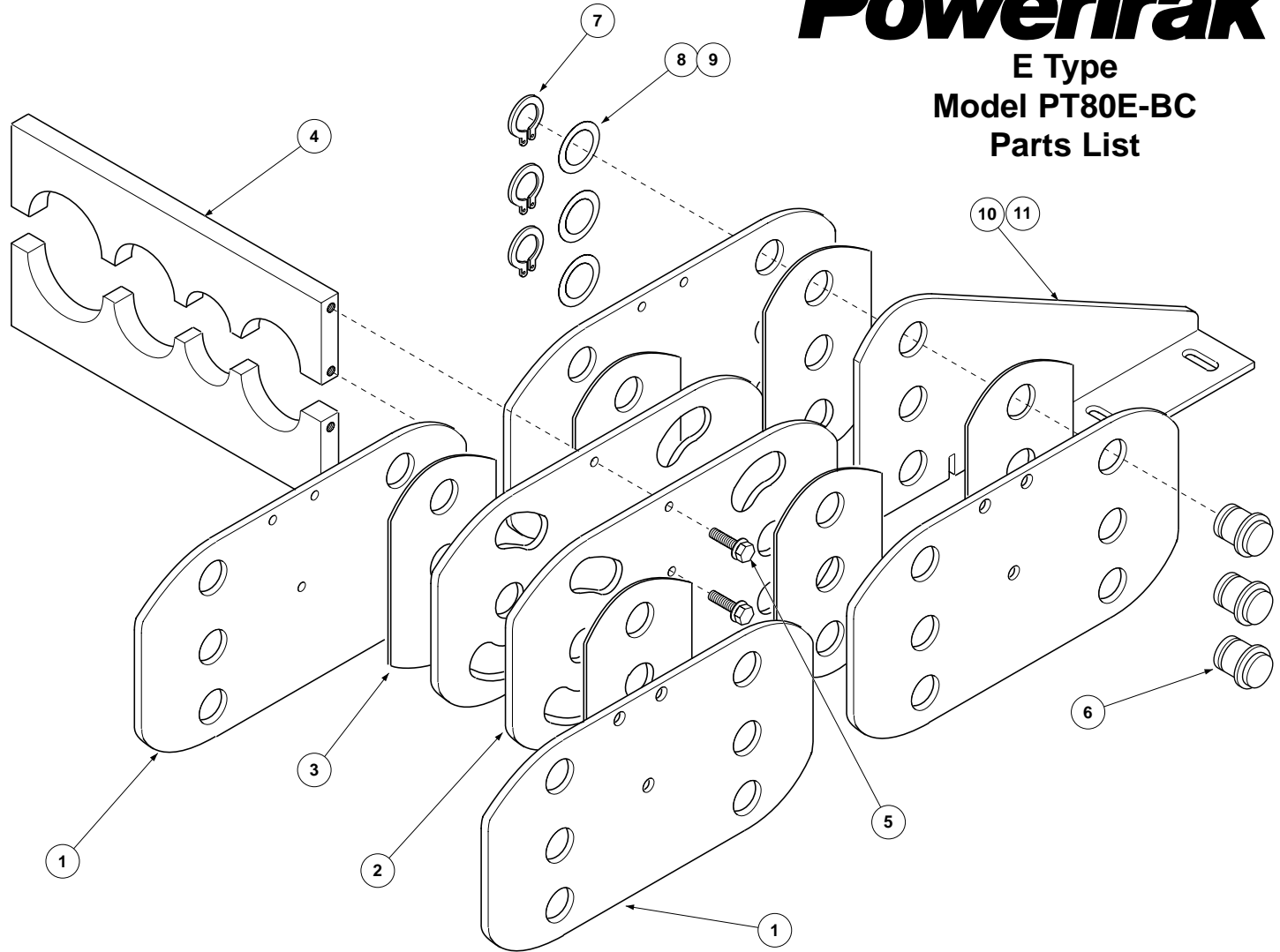


GLEASON® PowerTrak®

E Type Model PT80E-BC Parts List

ITEM	DESCRIPTION	PART NO.
1	Outer Link	P80E-98
2	Inner Link—10.50 radius	P80E-01
	" 12.50 radius	P80E-02
	" 19.50 radius	P80E-03
	" 23.12 radius	P80E-04
3	Anti-friction Plate	029011
4	Bar Carrier (<i>Specify Gleason Serial Number</i>)	
5	Whiz-Lock Bolt, M8-1.25 x 16	028911
6	Hinge Pin	P04-75
7	Retaining Ring	015359
8	Shim Washer, 1.03 ID x .01 thick	029022
9	Shim Washer, 1.03 ID x .02 thick	029023
10	Mounting Bracket, L.H.	P07-347
11	Mounting Bracket, R.H.	P07-348



GLEASON REEL CORP.
600 South Clark St.
Mayville, WI 53050-0026
Phone 920-387-4120 • Fax 920-387-4189