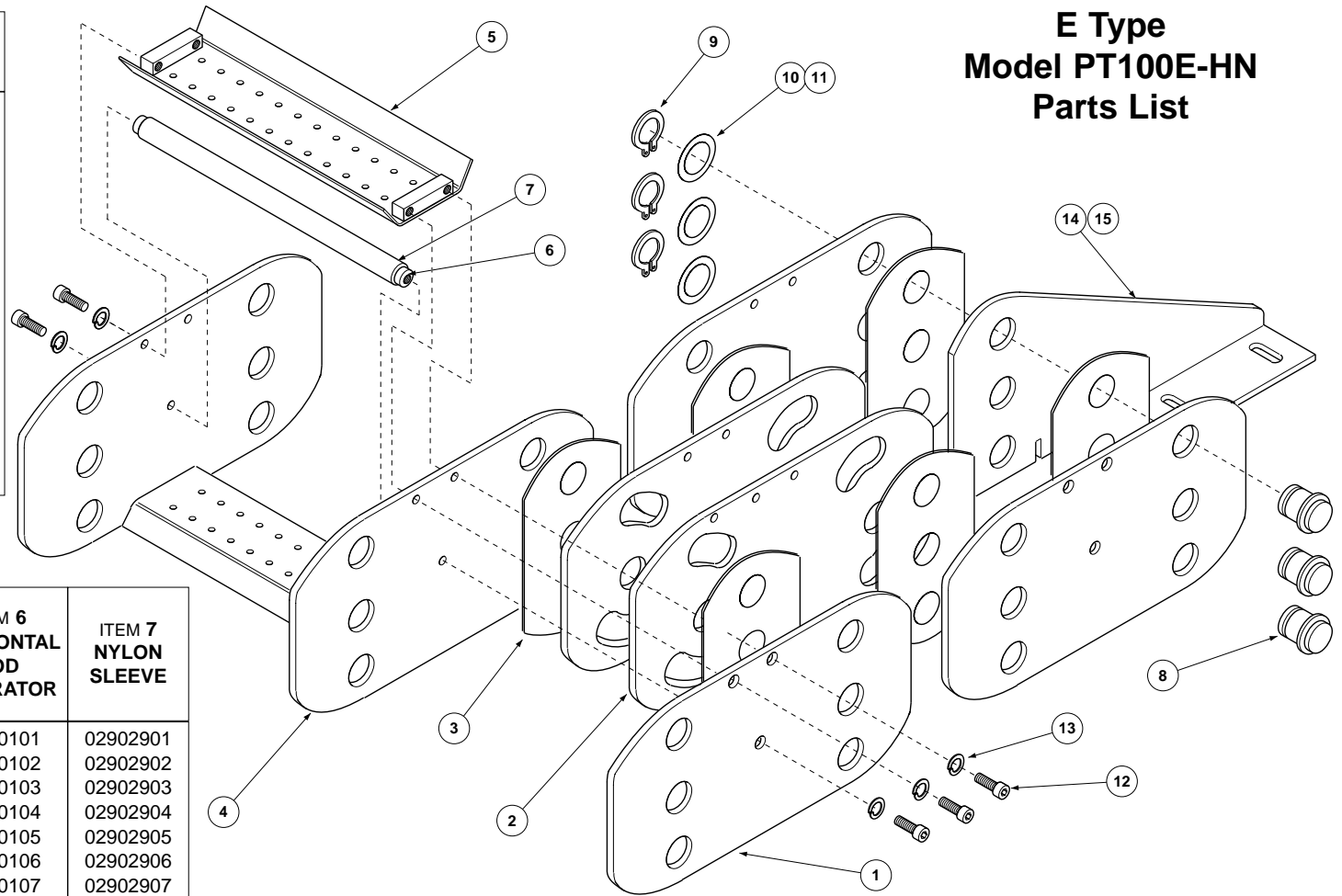


GLEASON® PowerTrak®

E Type Model PT100E-HN Parts List

| ITEM | DESCRIPTION | PART NO. |
|-------|-------------------------------------|----------|
| 1 | Outer Link | P100E-98 |
| 2 | Inner Link—19.00 radius | P100E-01 |
| | " 25.00 radius | P100E-02 |
| 3 | Anti-friction Plate | 029012 |
| 4 - 7 | —See Below— | |
| 8 | Hinge Pin | P04-76 |
| 9 | Retaining Ring | 700056 |
| 10 | Shim Washer, 1.53 ID x .01 thick | 029024 |
| 11 | Shim Washer, 1.53 ID x .02 thick | 029025 |
| 12 | Skt. Hd. CSCR, M8-125 x 20 | 029020 |
| 13 | Lockwasher, M8 | 023279 |
| 14 | Mounting Bracket, L.H. | P07-349 |
| 15 | Mounting Bracket, R.H. | P07-350 |



| CARRIER WIDTH | ITEM 4 CHANNEL WELDMENT | ITEM 5 CHANNEL CARRIER | ITEM 6 HORIZONTAL ROD SEPARATOR | ITEM 7 NYLON SLEEVE |
|---------------|-------------------------|------------------------|---------------------------------|---------------------|
| 8.00" | 02901001 | 02901301 | 02900101 | 02902901 |
| 10.00" | 02901002 | 02901302 | 02900102 | 02902902 |
| 12.00" | 02901003 | 02901303 | 02900103 | 02902903 |
| 14.00" | 02901004 | 02901304 | 02900104 | 02902904 |
| 16.00" | 02901005 | 02901305 | 02900105 | 02902905 |
| 18.00" | 02901006 | 02901306 | 02900106 | 02902906 |
| 20.00" | 02901007 | 02901307 | 02900107 | 02902907 |
| 22.00" | 02901008 | 02901308 | 02900108 | 02902908 |
| 24.00" | 02901009 | 02901309 | 02900109 | 02902909 |



GLEASON REEL CORP.
600 South Clark St.
Mayville, WI 53050-0026
Phone 920-387-4120 • Fax 920-387-4189