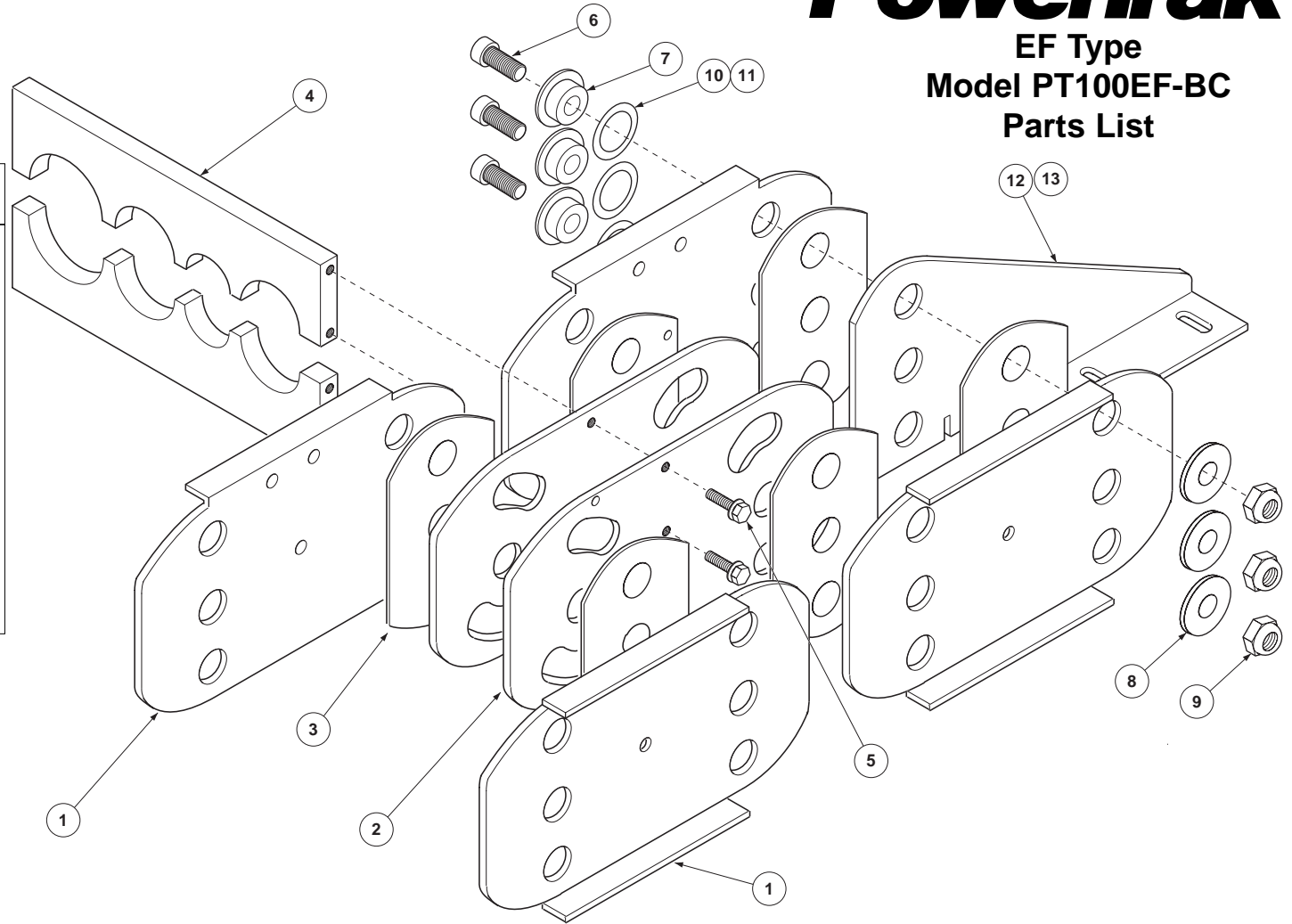


GLEASON® PowerTrak

EF Type Model PT100EF-BC Parts List

ITEM	DESCRIPTION	PART NO.
1	Outer Link	P100E-99
2	Inner Link—19.00 radius	P100E-01
	" 25.00 radius	P100E-02
3	Anti-friction Plate	029012
4	Bar Carrier (<i>Specify Gleason Serial Number</i>)	
5	Whiz-Lock Bolt, M10-1.5 x 20	029019
6	Socket Head Cap Screw	029227
7	Flanged Bushing	048977
8	Washer	042910
9	Hex Locknut	028502
10	Shim Washer, 1.53 ID x .01 thick*	029024
11	Shim Washer, 1.53 ID x .02 thick*	029025
12	Mounting Bracket, L.H.	P07-349
13	Mounting Bracket, R.H.	P07-350

* Not required on all systems.



GLEASON REEL CORP.
600 South Clark St.
Mayville, WI 53050-0026
Phone 920-387-4120 • Fax 920-387-4189