

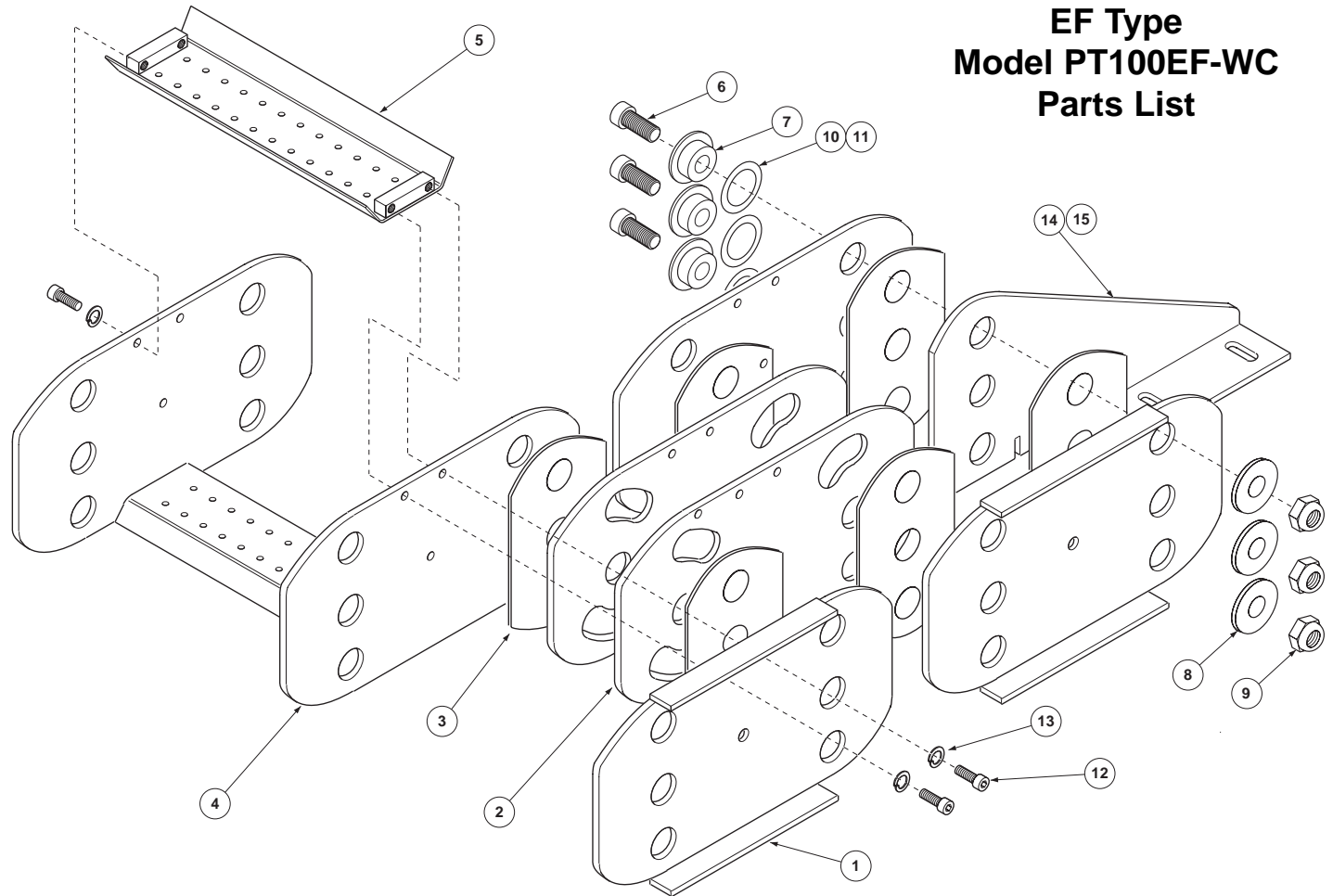
GLEASON® PowerTrak

EF Type Model PT100EF-WC Parts List

ITEM	DESCRIPTION	PART NO.
1	Outer Link W/ Flange	P100E-99
2	Inner Link--19.00 radius	P100E-01
	" 25.00 radius	P100E-02
3	Anti-friction Plate	029012
4 & 5	-See Below-	
6	Socket Head Cap Screw	029227
7	Flanged Bushing	048977
8	Washer	042910
9	Hex Locknut	028502
10	Shim Washer, 1.53 ID x .01 thick*	029024
11	Shim Washer, 1.53 ID x .02 thick*	029025
12	Skt. Hd. CSCR, M8-1.25 x 20	029020
13	Lockwasher, M8	023279
14	Mounting Bracket, L.H.	P07-349
15	Mounting Bracket, R.H.	P07-350

* Not required on all systems.

CARRIER WIDTH	ITEM 4 CHANNEL WELDMENT	ITEM 5 CHANNEL CARRIER
8.00"	02901001	02901301
10.00"	02901002	02901302
12.00"	02901003	02901303
14.00"	02901004	02901304
16.00"	02901005	02901305
18.00"	02901006	02901306
20.00"	02901007	02901307
22.00"	02901008	02901308
24.00"	02901009	02901309



GLEASON REEL CORP.
600 South Clark St.
Mayville, WI 53050-0026
Phone 920-387-4120 • Fax 920-387-4189