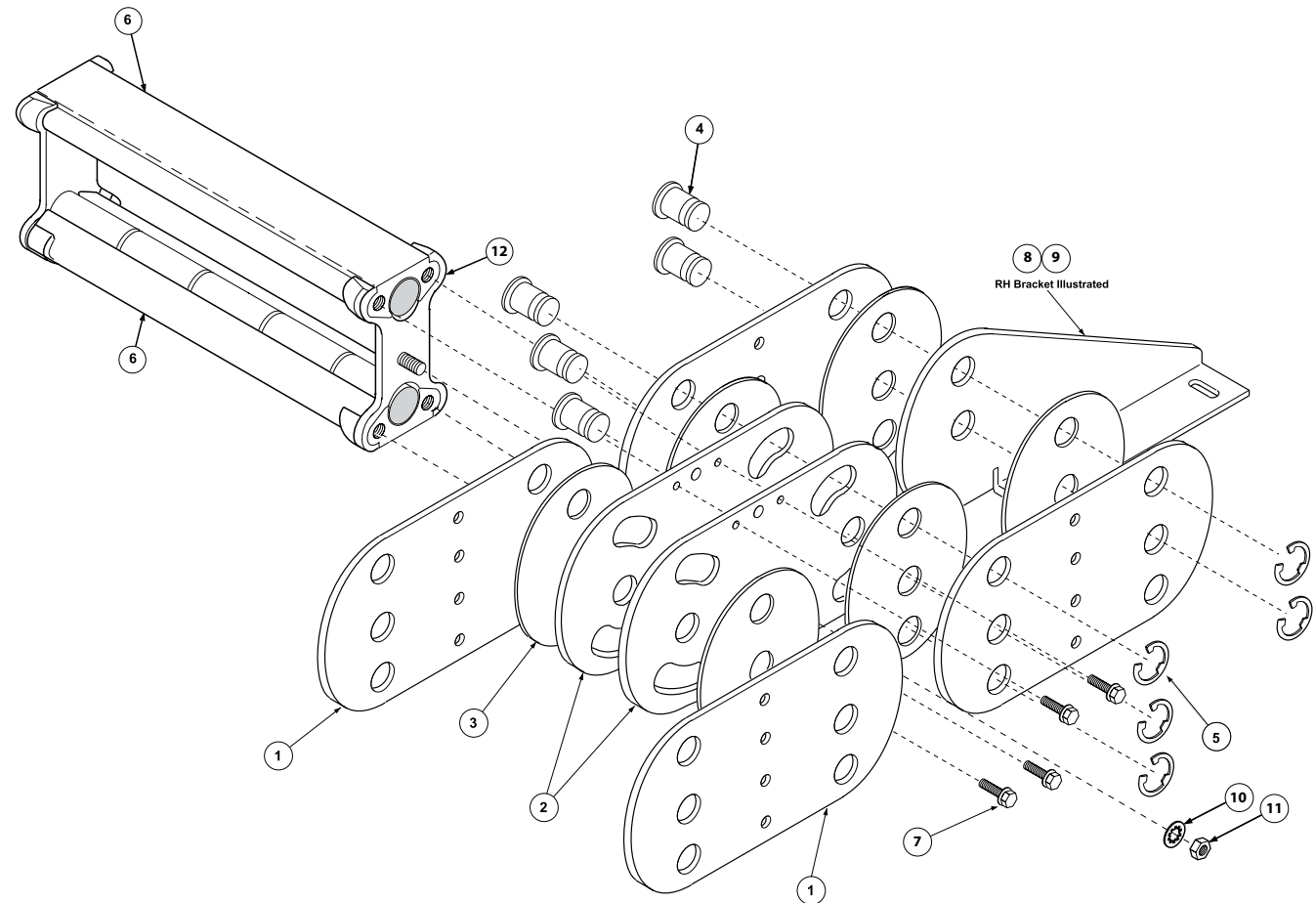


## E-Type Model PT35E-RB Parts List

ITEM	DESCRIPTION	PART NO.
1	Outer Link	P01-118
2	Inner Link - 5.22 radius	P01-119
	7.50 radius	P01-120
	11.12 radius	P01-121
	15.00 radius	P01-122
	24.31 radius	P01-123
3	Anti-Friction Disc	025693
4	Hinge Pin	058504
5	E-Ring	048686
6	Alum. R.B. Channel - 4.00" lg.	04511301
	6.00" lg.	04511302
	8.00" lg.	04511303
	10.00" lg.	04511304
	12.00" lg.	04511305
	14.00" lg.	04511306
	16.00" lg.	04511307
	7	Whiz-Lock Screw
8	LH Mounting Bracket	P07-209
9	RH Mounting Bracket	P07-210
10	.25 Int Tooth Lockwasher	102602
11	.25-20 UNC Hex Nut	100942
12	Retainer with Pem Stud	045524



SIDE CHAIN ASSEMBLY (Includes items 1 - 5) Qty. 1 = one 1 ft. section for one side only. L.H. and R.H. chains are identical.	
RADIUS	PART NO.
5.22	09185301
7.50	09185302
11.12	09185303
15.00	09185304
24.31	09185305

PowerTrak Splice Kit P/N **034419** includes:  
(6) hinge pins, (4) anti-friction discs, and  
(12) E-ring fasteners



**GLEASON REEL CORP.**  
600 South Clark St.  
Mayville, WI 53050  
Phone: 920-387-4120  
Fax: 920-387-4189  
www.hubbell-gleason.com