

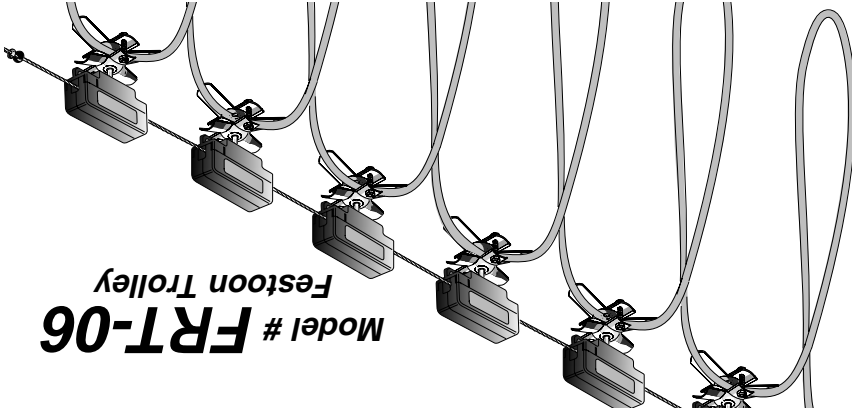
600 South Clark St.  
Mayville, WI 53050  
Phone: 920-387-4120

Workplace Solutions



For use on Wire Rope  
from 3/16"(5mm) thru 3/8"(9mm) O.D.

For Hose or Round Cable from 0.95 to 1.25" OD

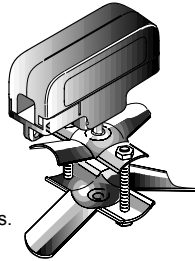


Model # **FRT-06**  
Festoon Trolley

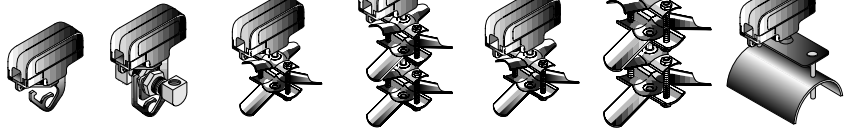
### Contents: One model # FRT-06

Trolley for round cable or hose  
from 0.95 to 1.25" OD

Use multiple trolleys for long festoon runs.  
Provide low cost, user friendly festoon systems.



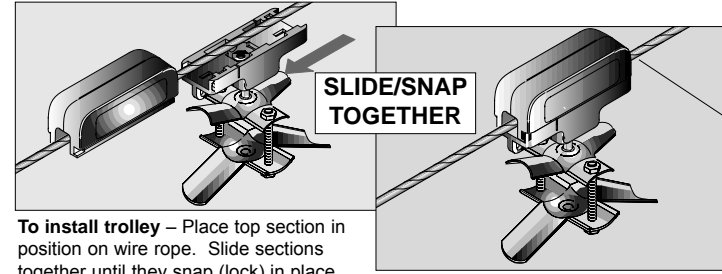
### 8 MODELS AVAILABLE



- #WRS-01 Trolley with tool hook
- #WRS-02 Trolley with tool hook and hose connector
- #FRT-04 Trolley for round cable or hose, 0.3" to 0.6" OD.
- #FRT-24 Trolley for two round cables or hoses, 0.3" to 0.6" OD.
- #FRT-05 Trolley for round cable or hose, 0.6" to 0.94" OD.
- #FRT-25 Trolley for two round cables or hoses, 0.6" to 0.94" OD.
- #FFT-08 Trolley for flat cable to 2.1" wide.

Products to make your workplace more efficient and safe.  
**Ask for FREE CATALOG.**

## • TROLLEY INSTALLATION •

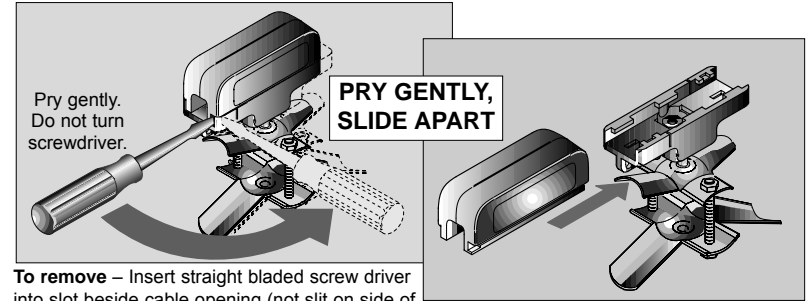


SLIDE/SNAP TOGETHER

Trolleys fit wire rope up to and including 0.375"(9mm) O.D.

To install trolley – Place top section in position on wire rope. Slide sections together until they snap (lock) in place.

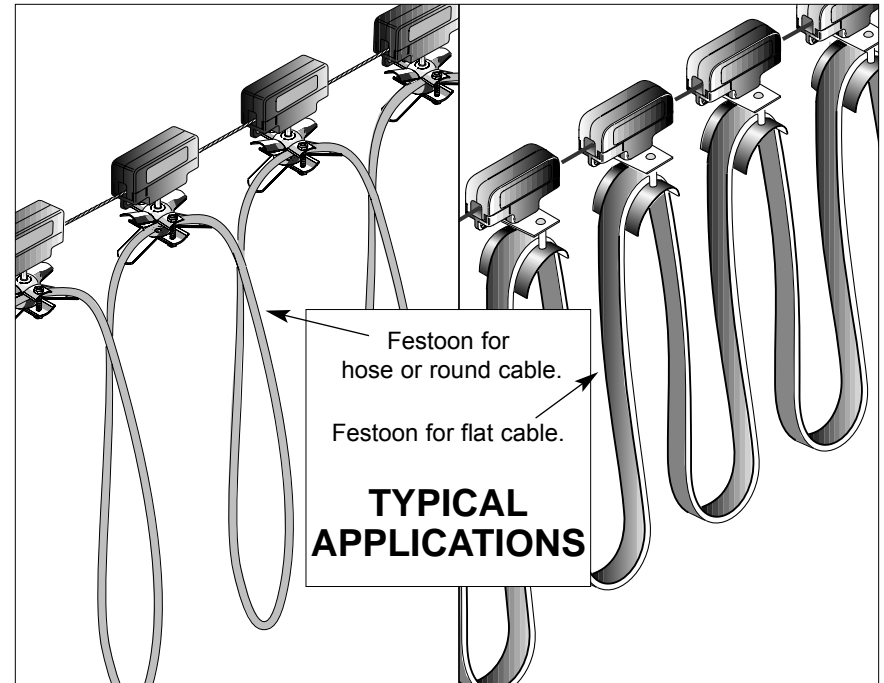
NOTE: Sections may be assembled in only one way. Slide "un-blocked" end into "un-blocked" end. Do not force.



Pry gently. Do not turn screwdriver.

PRY GENTLY, SLIDE APART

To remove – Insert straight bladed screw driver into slot beside cable opening (not slit on side of trolley) and pry gently as shown above. Do not turn screwdriver. Slide Apart



Festoon for hose or round cable.  
Festoon for flat cable.

### TYPICAL APPLICATIONS