

FEMCO DIVISION
(Gulton Industries, Inc.)

SINGLE BATTERY RIGPHONE[®] II
821301/203

AM7009

Copyright, Gulton Industries, Inc., 1982

[®]
Registered Trademark

821301-02.2
DEC. 1982

TABLE OF CONTENTS

	Page
SECTION 1 - GENERAL DESCRIPTION -----	1/1
Introduction -----	1/1
Specifications -----	1/1,2
Installation -----	1/3
Block Diagram 821301/203 AM7009 -----	1/4
SECTION 2 - CIRCUIT ANALYSIS -----	2/1
Introduction -----	2/1
Block Diagram -----	2/2
Circuit Description -----	2/3
Schematic - Rigphone II 821301/203 AM7009 -----	2/4
SECTION 3 - MAINTENANCE -----	3/1
Introduction -----	3/1
Troubleshooting Charts -----	3/2
SECTION 4 - PARTS IDENTIFICATION -----	4/1
Introduction -----	4/1
General Assembly - 821301/203 - Rigphone II -----	4/2
Assembly - WBA4097 Telephone Printed Circuit Board -----	4/3
Assembly List - WBA4097 - Telephone Printed Circuit Board -----	4/4
Assembly - MI2806 Carbon Handset -----	4/5

SECTION 1
GENERAL DESCRIPTION

INTRODUCTION

The Single Battery Rigphone II, AM7009 is designed to be used in drilling environments where telephone communications and paging functions are necessary. Rigphone II is ideal for communication in temporary as well as permanent locations. One 12 VDC battery is used during the paging operation to produce the required 12 VDC keying voltage on the phone lines. Provisions are made to keep the unit's speaker quiet when paging or receiving a normal audio signal. Input phone line DC polarity does not have to be observed since the unit's design provides for polarity reversal. Individual volume controls are provided for the speaker and handset receiver. This unit offers higher impedance for both AC and DC operation than other models and allows many units to operate on the same phone lines.

SPECIFICATIONS

The electrical, mechanical and environmental specifications for the unit are as follows:

ELECTRICAL:

Power Source -----12 VDC NEDA 926 battery or equivalent
 Battery Requirements -----a. Standby - 0 milliamperes
 b. Speaker Amplifier-28 milliamperes
 at standby and 250 milliamperes
 for peak operation
 c. Handset Amplifier - 110 milliamperes
 nominal into 200 ohms (Varies
 with phone lines and number phones)
 Phone Line -----17K ohms DC, 4.5K ohms @1 KHZ. (Allows
 operation of many units on the same
 phone lines)
 Paging Voltage -----12 VDC
 Paging Sensitivity -----Solid State - pick up at 2.5 VDC or
 greater, drop out at 2.0 VDC
 Paging Switch -----Bat handle
 Speaker -----3 watt, 8 ohm, 4" water-proof cone
 Handset -----Standard handset with push-to-talk
 switch and 4 foot of coiled cord

Controls ----- a. Speaker Amplifier R15 adjustable
to 30 dB.
b. Handset Receiver R16 adjustable
to 30 dB.

Output Power ----- a. Speaker Amplifier - maximum of 2 watts
into 8 ohms (clipped).
b. Handset Amplifier - 380 milliwatts
into 200 ohm load.

Short Circuit Paging
Current ----- 0.35 amperes

Insulation ----- 600 VDC between line and ground.

Carrier Impedance ----- a. Line-to-line - 7K ohms.
b. Line-to-ground - 100K ohms.

MECHANICAL:

Dimensions ----- 6.68" width, 12.38" H, 3.30" depth

Weight ----- 9 lbs. 6 oz. with battery

Construction ----- 18 gauge stainless steel

Connections ----- Spring loaded push terminals for
phone line (2)

ENVIRONMENTAL:

Moisture Resistance ----- 0 to 95% humidity with printed circuit
board conformal coated.

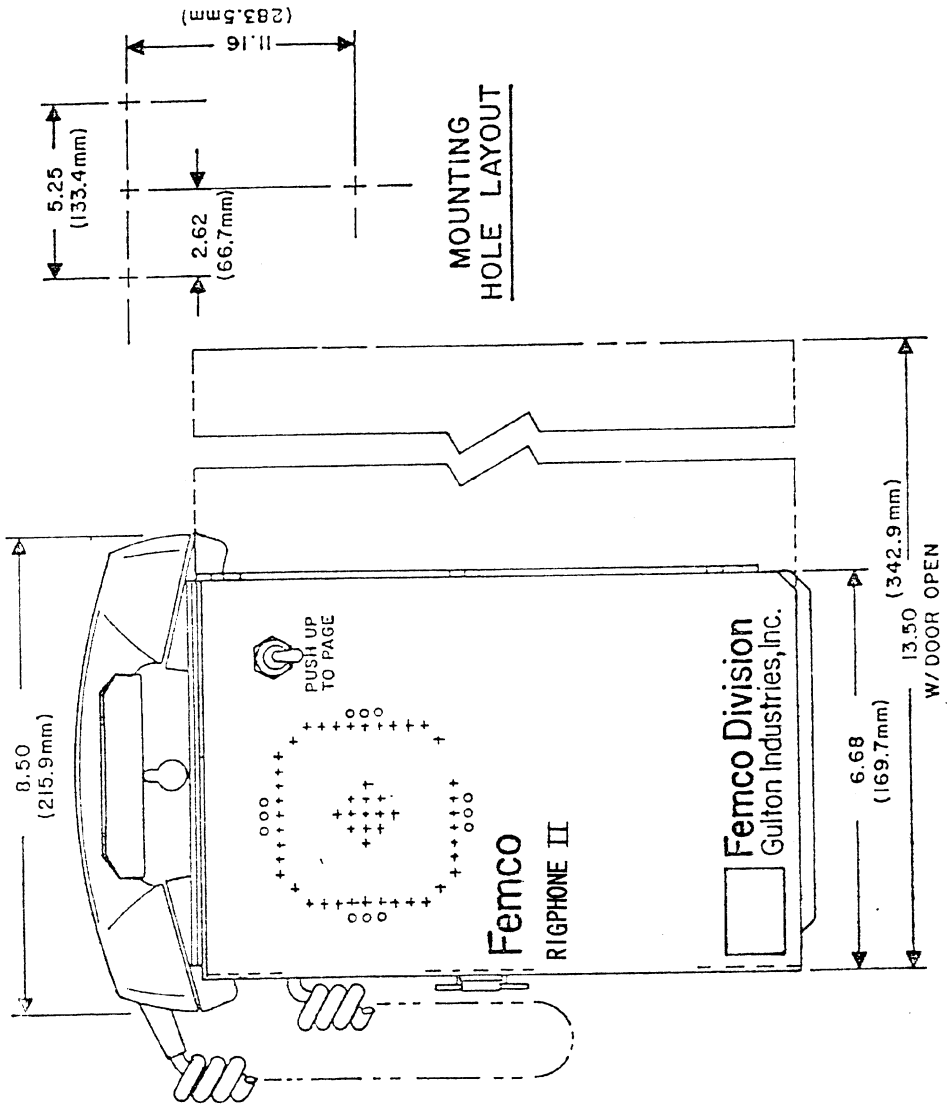
Temperature Range ----- -30°C to +60°C.

INSTALLATION

One (1) 1/4 mounting slot is provided in the bottom center of the back plate and three (3) key punched holes are provided at the top of the back plate for mounting the unit to a wall, pole, desk or other similar structure.

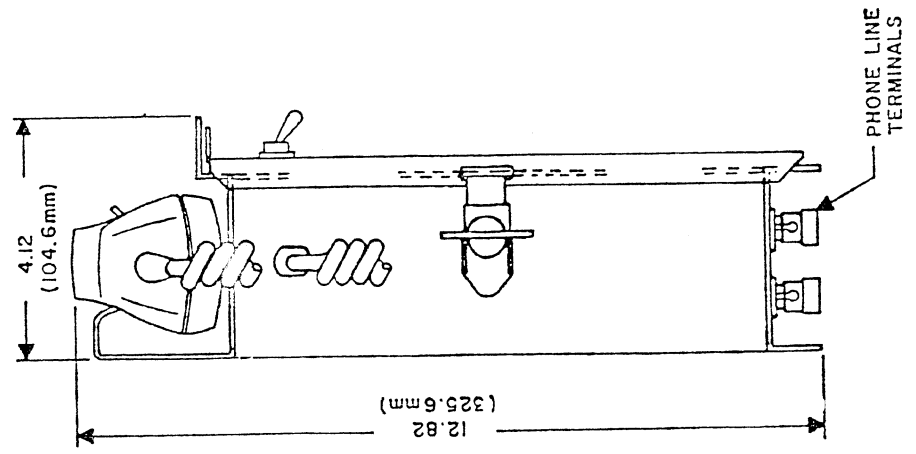
Install battery and properly make all connections.

A fused station protector, FU2590, should be installed approximately every two miles on the phone line to protect against high voltage transients to ground.



**MOUNTING
HOLE LAYOUT**

OUTLINE AND MOUNTING DIMENSIONS



SECTION 2

CIRCUIT ANALYSIS

INTRODUCTION

This section of the manual is provided for acquainting maintenance personnel with the circuit operation of the unit. A block diagram is discussed to show the general operation of the unit. In addition, the schematic diagram is shown in order to explain the operation of the various components that comprise the unit.

BLOCK DIAGRAM

Refer to Figure 2-1. Section A discusses the unit operation when receiving a page and when receiving an audio signal during normal conversation. A DC voltage is imposed on the phone line by the paging party from a distant unit. This is full wave bridge rectified which handles any polarity reversal on the phone line. The rectified DC voltage allows Q2 to conduct which in turn, allows Q3 to conduct. When Q3 conducts, it allows IC1 to operate and amplify the audio signal. When being paged, the audio signal is transformer coupled through T1 and amplified by IC1 before passing to the speaker. The volume is adjusted by the SPEAKER VOLUME CONTROL. During normal conversation and when not being paged, there is no DC voltage imposed on the lines. This cuts off Q2 and Q3 which, in turn, prevents IC1 from amplifying any audio signal and passing it to the speaker. The audio signal is now transformer coupled through the HANDSET VOLUME CONTROL, to the handset receiver where it is heard by the operator.

Section B discusses the unit operation when paging another operator or when transmitting during normal conversation. When not paging, but speaking during normal conversation, battery BA1 is connected through switch SW1. This allows the 12 VDC to pass through the handset switch and permits Q1 to conduct. When Q1 conducts it cuts off Q2 which, in turn, cuts off Q3. With Q3 off, IC1 is prevented from applying any audio signal and passing it to the unit's speaker. When the operator speaks into the handset, the audio signal is amplified by IC2 and transformer coupled by TR1 to the phone lines.

When paging, the operation just discussed still occurs. However, battery BA1 is now connected through SW1, which is now activated, and applies the 12 VDC keying voltage to the phone lines. Extra protection takes place to insure no audio signal reaches the unit's speaker. This is also done through the activated SW1 switch, which removes the positive voltage from Q3 further insuring IC1 is inoperative.

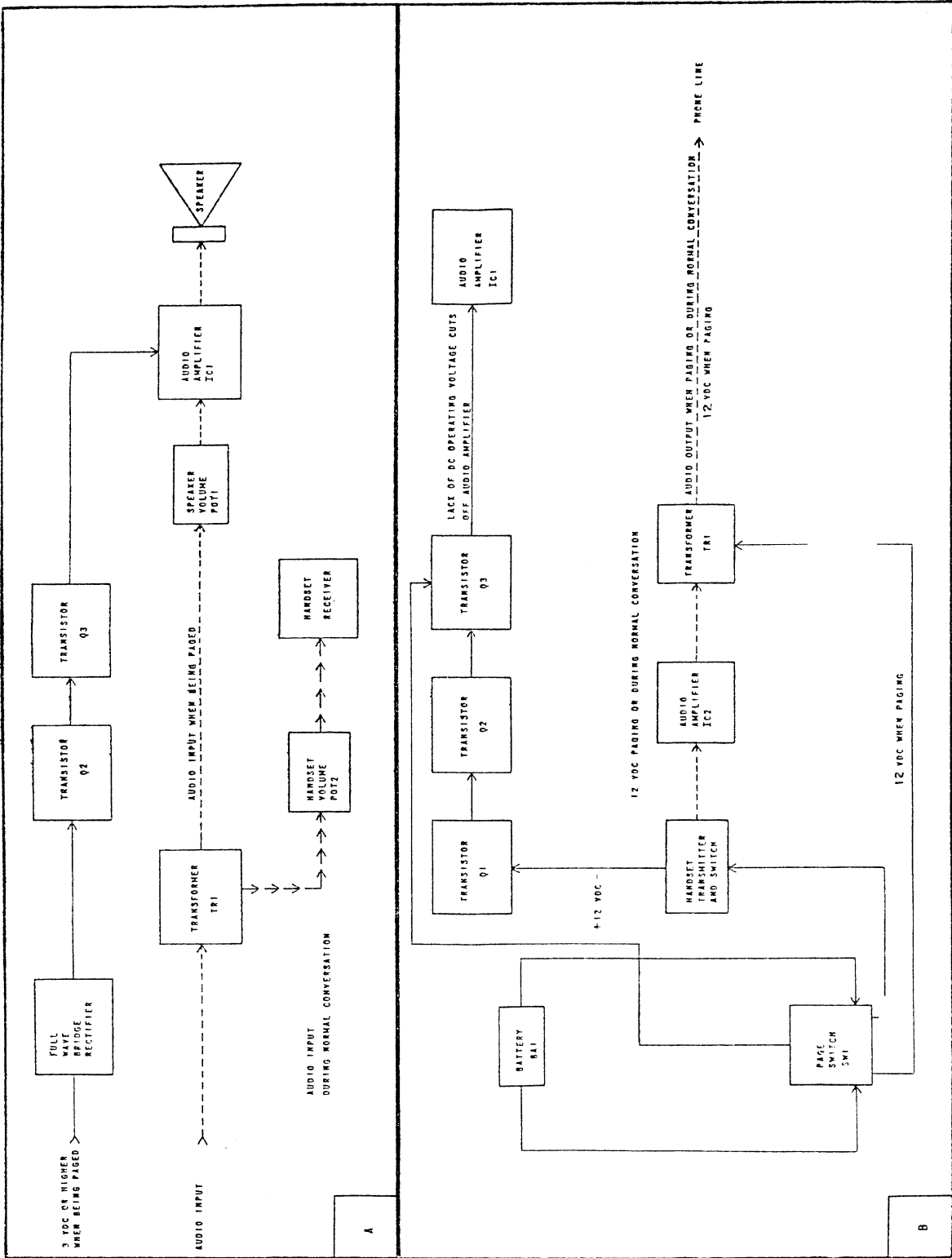


Figure 2-1 - Block Diagram AM7009 RIGPHONE II

CIRCUIT DESCRIPTION

Refer to Figure 2-2. This is a schematic diagram of the unit. When the unit is being paged by another operator on the line, a DC voltage is imposed across terminals 8 & 9. Polarity does not have to be observed since diodes CR1 and CR4 comprise a full wave bridge rectifier that sets the correct polarity. Positive is applied to the base of transistor Q2 which allows it to conduct. When Q2 conducts, transistor Q3 goes into conduction which, in turn, allows the audio amplifier IC1 to operate. The audio signal is applied across the secondary of transformer T1 and transformer coupled to the primary. It then passes through R15, the speaker volume control, to be amplified by IC1. The amplified audio signal is now passed to the speaker.

When receiving a message during normal conversation, there is no DC voltage imposed on the phone lines. Transistor Q2 and Q3 are now cutoff which, in turn, prevents the audio amplifier, IC1 from operating and passing any audio signal to the unit's speaker. The audio signal that is now transformer coupled by T1, passes to the handset receiver through R16, the handset volume control.

When speaking to another operator on the phone line, the operation is as follows: Battery BA1 is connected through the N/C contacts of the PAGE switch, SW1. When speaking, the handset switch is depressed. This places a DC voltage at the base of transistor Q1, allowing it to conduct. When Q1 conducts, Q2 is cutoff which, in turn, cuts off Q3. When Q3 is cutoff it prevents IC1 from operating. No audio signal can reach the speaker at this time. The audio signal generated in the handset transmitter is amplified by the audio amplifier IC2 and transformer coupled by T1 to the phone lines.

When paging another party on the line, the operation just discussed still takes place. For additional protection, to insure no audio signal reaches the unit's speaker, the activation of the PAGE switch removes the positive leg of the operating voltage from the emitter of Q3, insuring it cannot conduct.

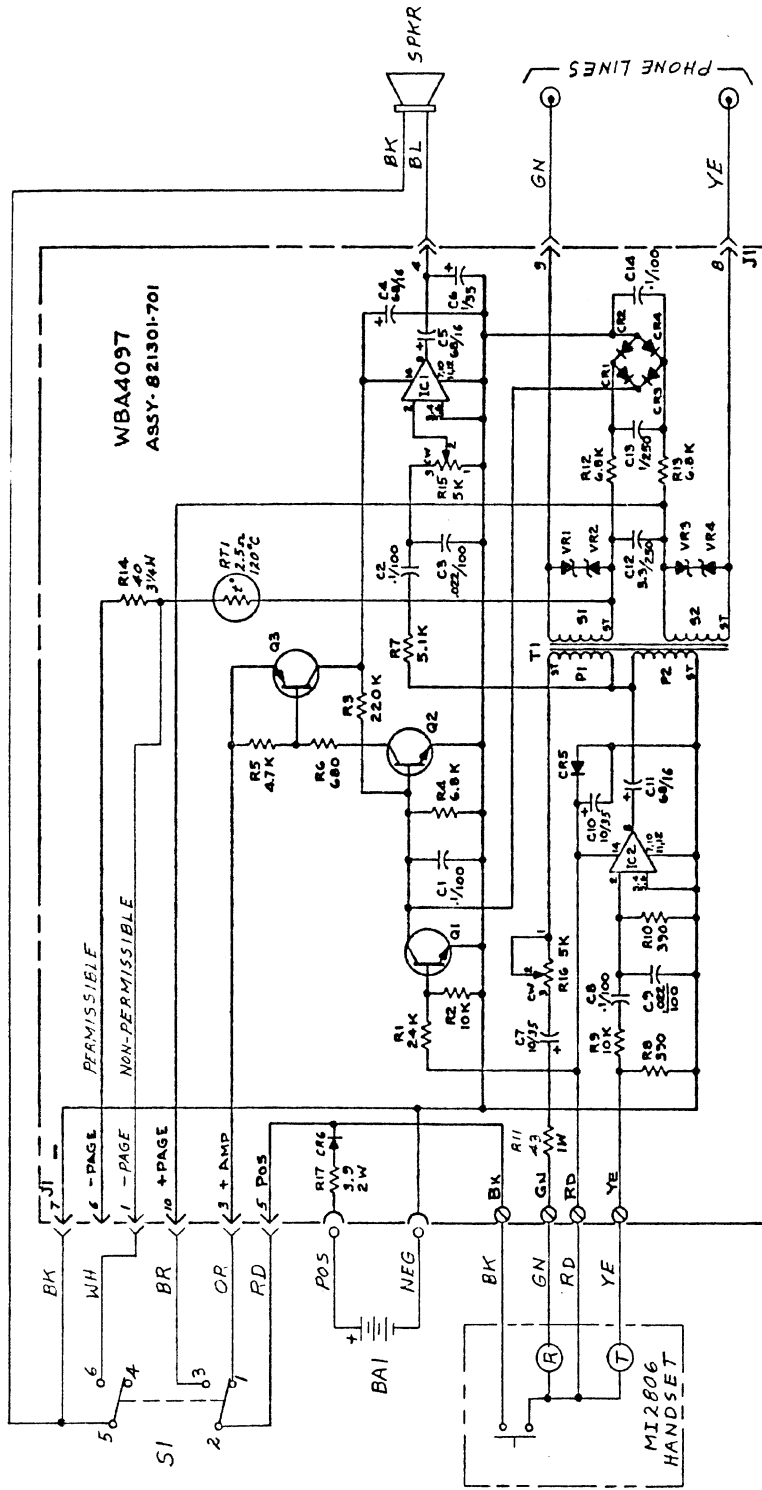


FIGURE 2-2 SCHEMATIC RIGPHONE (R) II
821301/203 AM7009

SECTION 3
MAINTENANCE

INTRODUCTION

This section of the manual contains information pertaining to the maintenance of the unit. Troubleshooting charts are provided to help in localizing the problem areas. Before any serious maintenance is considered, however, replace the battery to insure the correct operating voltage.

TROUBLESHOOTING CHARTS

The following troubleshooting charts are provided to assist maintenance personnel in localizing the general problem areas. Each chart contains three columns which are Symptom, Probable Cause and Remedy.

SYMPTOM	PROBABLE CAUSE	REMEDY
When receiving a page, phone lines are keyed by 12 VDC but there is no operating DC voltage for transistor Q2.	Diode CR1 and/or CR2, CR3, CR4 is defective	Replace diode CR1 and/or CR2, CR3, CR4.
DC operating voltage OK but when receiving a page, audio does not reach speaker.	Transistor Q2 is defective.	Replace transistor Q2.
	Transistor Q3 is defective.	Replace transistor Q3.
	Integrated circuit IC1 is defective.	Replace integrated circuit IC1.
	The speaker volume control (R15) is misadjusted.	Re-adjust the speaker volume control (R15).
When receiving a normal message but not being paged, audio does not reach operator.	Transformer T1 is defective.	Replace transformer T1.
	Handset volume control (R16) is misadjusted.	Re-adjust handset volume control (R16).
	Receiver element in handset is defective.	Replace receiver element in handset.

SYMPTOM	PROBABLE CAUSE	REMEDY
When paging another party, correct 12VDC is not imposed on phone lines.	Battery BA1 is weak or defective.	Replace battery BA1.
	The PAGE switch, SW1 is defective.	Replace PAGE switch.
When paging another party or transmitting during normal conversation, no audio signal is produced.	Transmitting element in handset is defective.	Replace transmitting element in handset.
	Integrated circuit IC2 is defective.	Replace integrated circuit IC2.
	Transformer T1 is defective.	Replace transformer T1.

SECTION 4

PARTS IDENTIFICATION

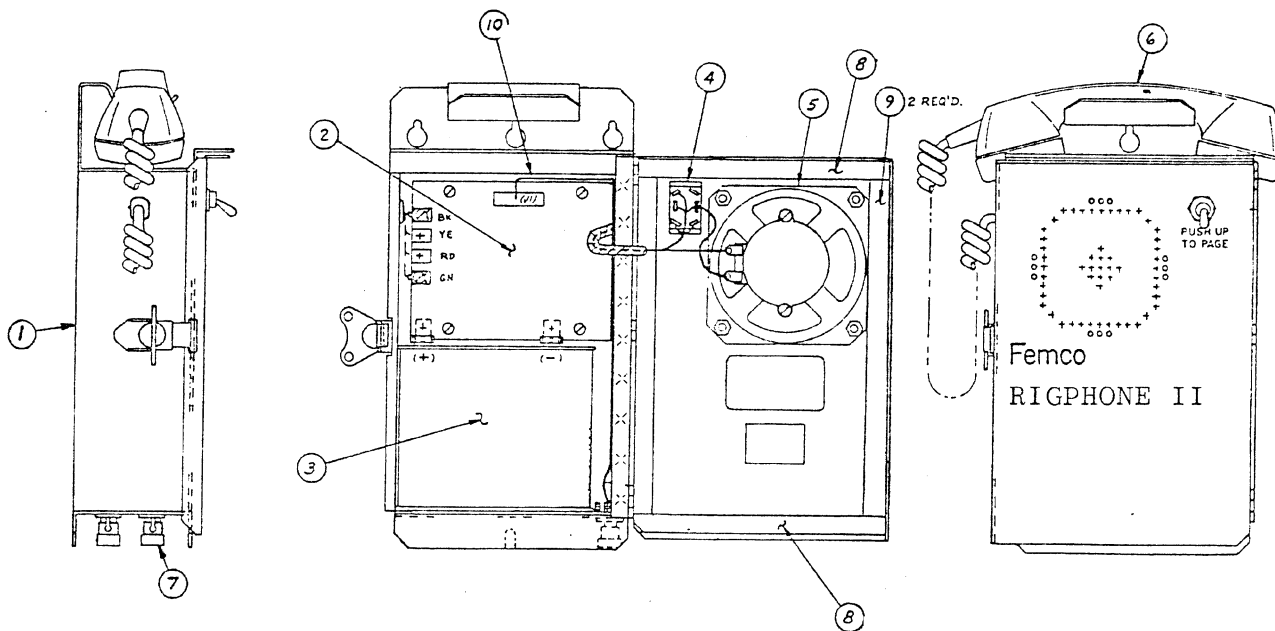
INTRODUCTION

The following information is presented to acquaint maintenance personnel with the procedure required for identifying parts. Normally, the parts identification is initiated by a breakdown of the major assemblies. The sub-assemblies, that comprise the individual major assemblies, are then reduced to their component parts. Each component part is identified by a circuit symbol, description and associated part number. Assembly and sub-assembly drawings are provided to facilitate in the part identification. In addition, reference can be made to the schematic in Section 2 of the manual if further identification is required.

For information on ordering parts, it is best to contact the local sales office to obtain the most current and expedient procedure.

GENERAL ASSEMBLY - 821301/203 AM7009

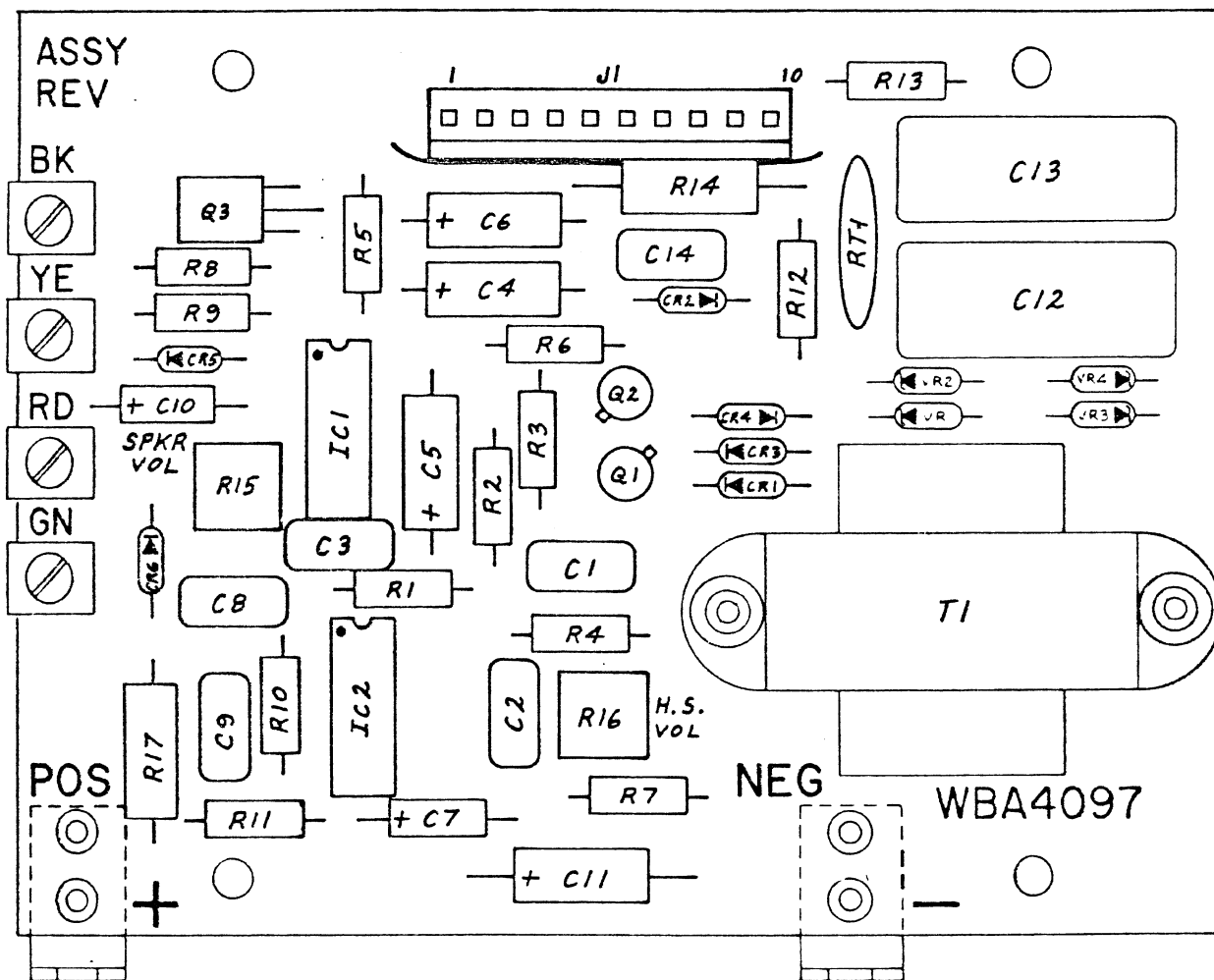
Ref. Dwg: 821301-302 821301-03.1



ITEM	PART NO.	DESCRIPTION
1	BO4600	Housing
2	WBA4097	Printed Circuit Board
3	BA2541	Battery
4	SW3246	Switch
5	SP2725	Speaker
6	MI2806	Handset Assembly
7	TE2780	Binding Post
8	MC3589	Gasket 6-9/16"
9	MC3589	Gasket 8-3/4"
10	HA4025	Wiring Harness

ASSEMBLY: WBA4097 TELEPHONE PRINTED CIRCUIT BOARD

Ref. Dwg: 821301-701



ASSEMBLY LIST-WBA4097
 PRINTED CIRCUIT BOARD

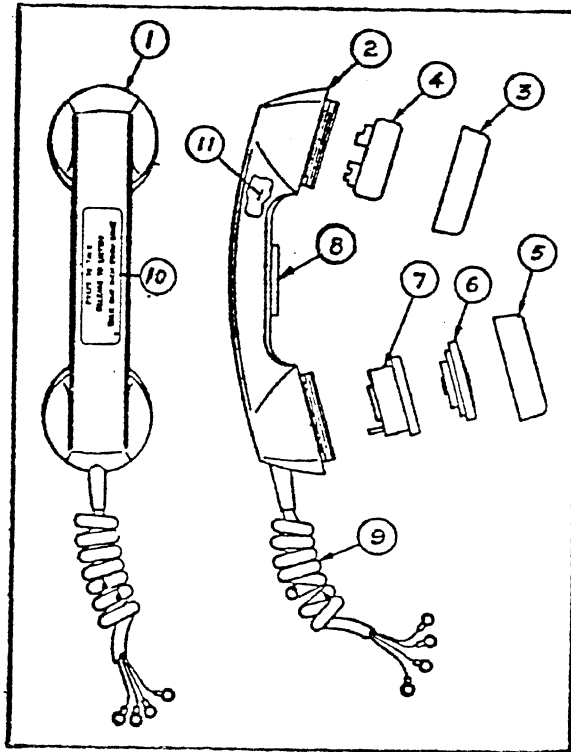
Ref. Dwg: 821301-801

CIRCUIT SYMBOL	PART NUMBER	VALUE
<u>Resistors</u>		
R1	RE24325	24K
R2,9	RE10325	10K
R3	RE22425	220K
R4,12,13	RE68225	6.8K
R5	RE47225	4.7K
R6	RE68125	680 ohm
R7	RE51225	5.1K
R8,10	RE39125	390 ohm
R11	RE3677	43, 1W, WW
R14	RE3551	40, 3 1/4W, WW
R15,16	RE3369	5K potentiometers
R17	RE3678	3.9, 2W, fusible
All resistors 1/2 W unless otherwise noted.		
<u>Capacitors</u>		
C1,2,8,14	CD3752	.1 uf, 100V
C3,9	CD3744	.022 uf, 100V
C4,5,11	CD3380	68uf, 16V
C6	CD3315	1 uf, 35V
C7, 10	CD3351	10 uf, 35V
C12	CD7036	3.3 uf, 250V
C13	CD7037	1 uf, 250V
<u>Diodes</u>		
CR1-5	TU2500	Silicon diodes
VR1-4	TU2692	Zener diodes
CR6	TU2685	Silicon diode
<u>Transistors</u>		
Q1,2	TU2750	Transistors
Q3	TU2604	Transistor
<u>Integrated Circuits</u>		
IC1,2	TU2605	Integrated Circuits
<u>Transformer</u>		
T1	TR3031	Transformer
<u>Miscellaneous</u>		
J1	CN3827	Connector
	MO4363	Battery Brackets
	NU2630	Screw Clips
<u>Thermistor</u>		
RT1	RE3676	2.5 ohm

821301-02.2
 DEC. 1982
 REV. NOV. 1983

ASSEMBLY - MI2806 Carbon Handset

Reference Drawings: 741301-703, 741301-803



Item	Part Number	Description
1	MI2806	Handset Assembly
The following items are Renewal Parts for MI2806		
2	MI2775	Handset Handle
3	MI2776	Ear Cap
4	MI2707	Receiver
5	MI2777	Mouth Piece Cap
6	MI2625	Transmitter
7	MI2778	Cup Assembly
8	SW3358	Switch
9	MI2809	Koiled Kord 4-Conductor
10	NP2581A	Nameplate
11		Cotton

