



GAI-TRONICS®  
A HUBBELL COMPANY

# Model 13314-001 Div. 2 Hazardous Area 8-Ohm Horn Driver

## Confidentiality Notice

This manual is provided solely as an operational, installation, and maintenance guide and contains sensitive business and technical information that is confidential and proprietary to GAI-Tronics. GAI-Tronics retains all intellectual property and other rights in or to the information contained herein, and such information may only be used in connection with the operation of your GAI-Tronics product or system. This manual may not be disclosed in any form, in whole or in part, directly or indirectly, to any third party.

## Introduction

The GAI-Tronics Model 13314-001 Div. 2 Hazardous Area 8-Ohm Horn Driver is constructed of black glass and fiber-reinforced polyester thermoplastic and has a rain-tight construction. It is built to withstand harsh industrial environments and is approved for installation in hazardous areas.

## Mounting Instructions

A typical installation of a 13314 Series Driver with an associated horn and mounting assembly is shown in Figure 2. The recommended mounting height for the driver is 9 feet (2.7 meters) from the floor. The installation of this speaker assembly must conform to regulations governing electrical equipment for hazardous locations and provisions of the National Electrical Code.



**WARNING**

**No alterations may be made to these driver units.**

Refer to the following chart to verify that the horn is paired with the correct speaker mounting assembly.

Horn Series	Speaker Mounting Assembly
13302	411A
13304	411A
13305	411A
13306	414-002
13309	411A
13340	411A

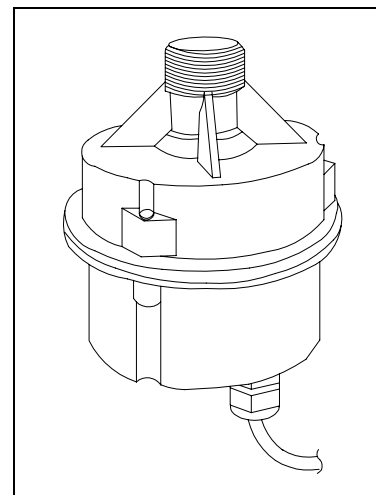


Figure 1. Model 13314-001  
Div. 2 Hazardous Area 8-Ohm  
Horn Driver

Install the mounting assembly and the horn, then complete the following instructions to install the driver onto the horn.

## Wiring Instructions

Field wiring to the driver must be made using the attached three-conductor type SO cord. Connect these wires as follows:

- *Green*: earth ground
- *Black*: amplifier + terminal
- *White*: amplifier – terminal

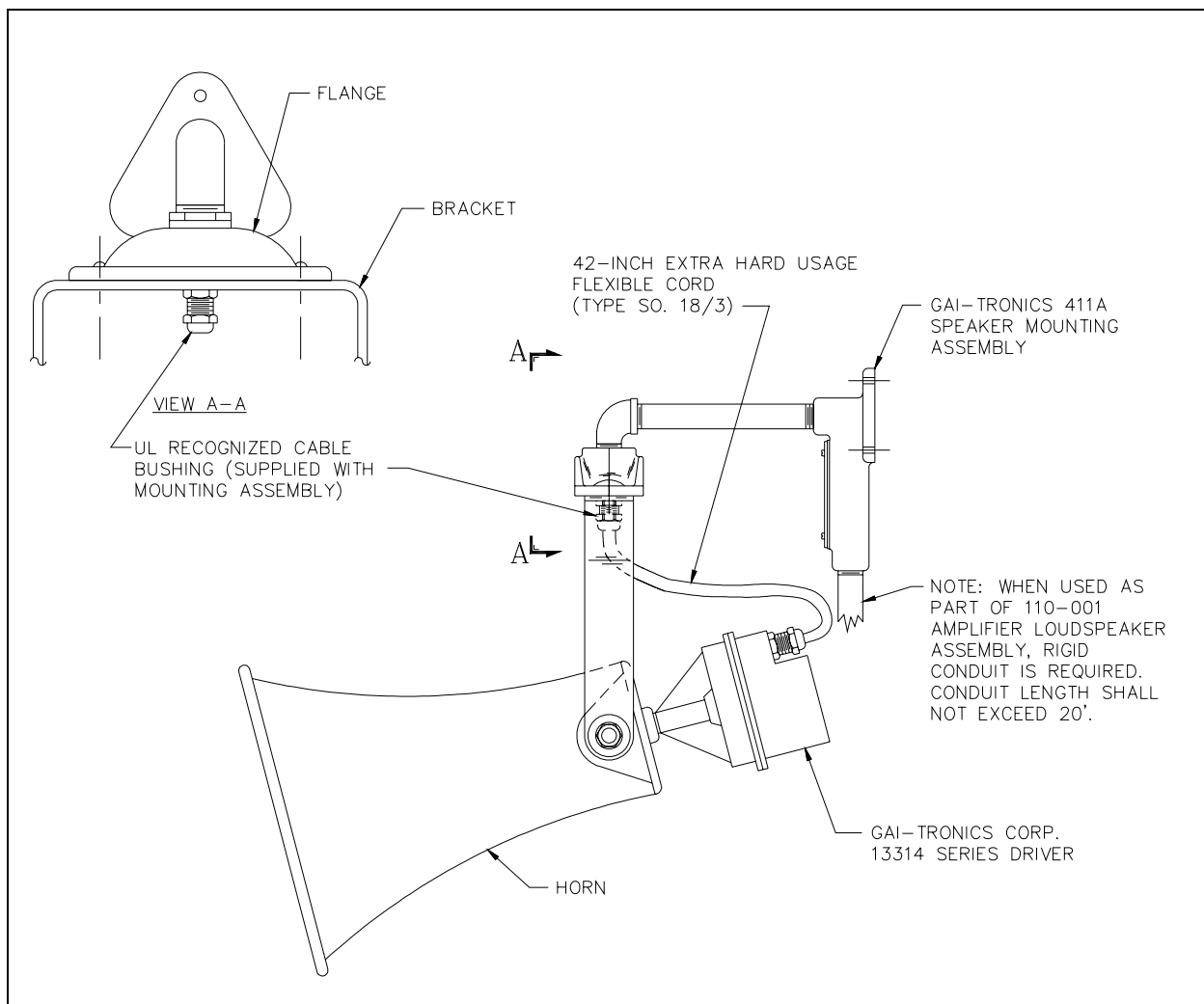


Figure 2. Typical Installation of 13314 Series Driver

### ⚠ CAUTION ⚠

**Installation must be in accordance with National Electrical Code for the appropriate hazardous area classification.**

# Specifications

Power capacity .....	30 W <sub>RMS</sub>
Impedance .....	8 ohms
Frequency response.....	300–4500 Hz (depending on horn)
Horn attachment.....	Standard 1.375-18 UNEF threads
Connections .....	42-inch extra hard usage flexible cord (Type SO, 18/3)
Approvals.....	UL & cUL Listed for Class I, Div. 2 Groups A, B, C, D – Temp Code T2C at +40C Class I, Div. 2 Groups A, B, C, D – Temp Code T2B at +55C Class II, Div. 2 Groups F & G – Temp Code T4 at +55C Class III, Div. 2
Weatherproof rating.....	Type 4X