



GAI-TRONICS®  
A HUBBELL COMPANY

# Model 10434-202 Building Entrance Protection Barrier

---

## Confidentiality Notice

This manual is provided solely as an installation guide and contains sensitive business and technical information that is confidential and proprietary to GAI-Tronics. GAI-Tronics retains all intellectual property and other rights in or to the information contained herein, and such information may only be used in connection with the installation of your GAI-Tronics product or system. This manual may not be disclosed in any form, in whole or in part, directly or indirectly, to any third party.

## Introduction

The Model 10434-202 Building Entrance Protection Barrier provides secondary protection from signal line transients and over-voltage conditions that may cause serious damage to indoor equipment or injury to personnel. This manual provides instructions on the placement and mounting of the barrier. The barrier is designed for use with GAI-Tronics Page/Party® systems in indoor applications only.

## Installation



**To ensure safe operation, this product must be installed in accordance with the National Electrical Code.**

1. Determine a location for installing the Model 10434-202 Building Entrance Protection Barrier. The location should be as close as possible to where the 60029 System cable enters the structure.
2. Install all indoor Page/Party® handset and speaker amplifier stations on the *protected* circuit to prevent system damage, personal injury, or fire.
3. Drill or punch the openings for conduit or cable, preferably on the bottom of the enclosure. Avoid punching the hole close to the rear surface of the enclosure as damage can occur to the printed circuit board assembly.
4. Mount the Model 10434-202 Building Entrance Protection Barrier using the four 0.312 inch diameter mounting holes in each corner of the enclosure. See Figure 1.



**Use caution when mounting the enclosure to avoid damaging the printed circuit board assembly.**

5. Install the conduit in the enclosure by feeding the wiring through the conduit and into the enclosure.
6. Spade lug the wires and connect them securely to the corresponding terminal blocks by following the wire colors. The color codes that correspond to the GAI-Tronics 60029 Series system cable are shown in Figure 2.

**CAUTION**

**An improper termination can result in improper system performance, personal injury, or fire.**

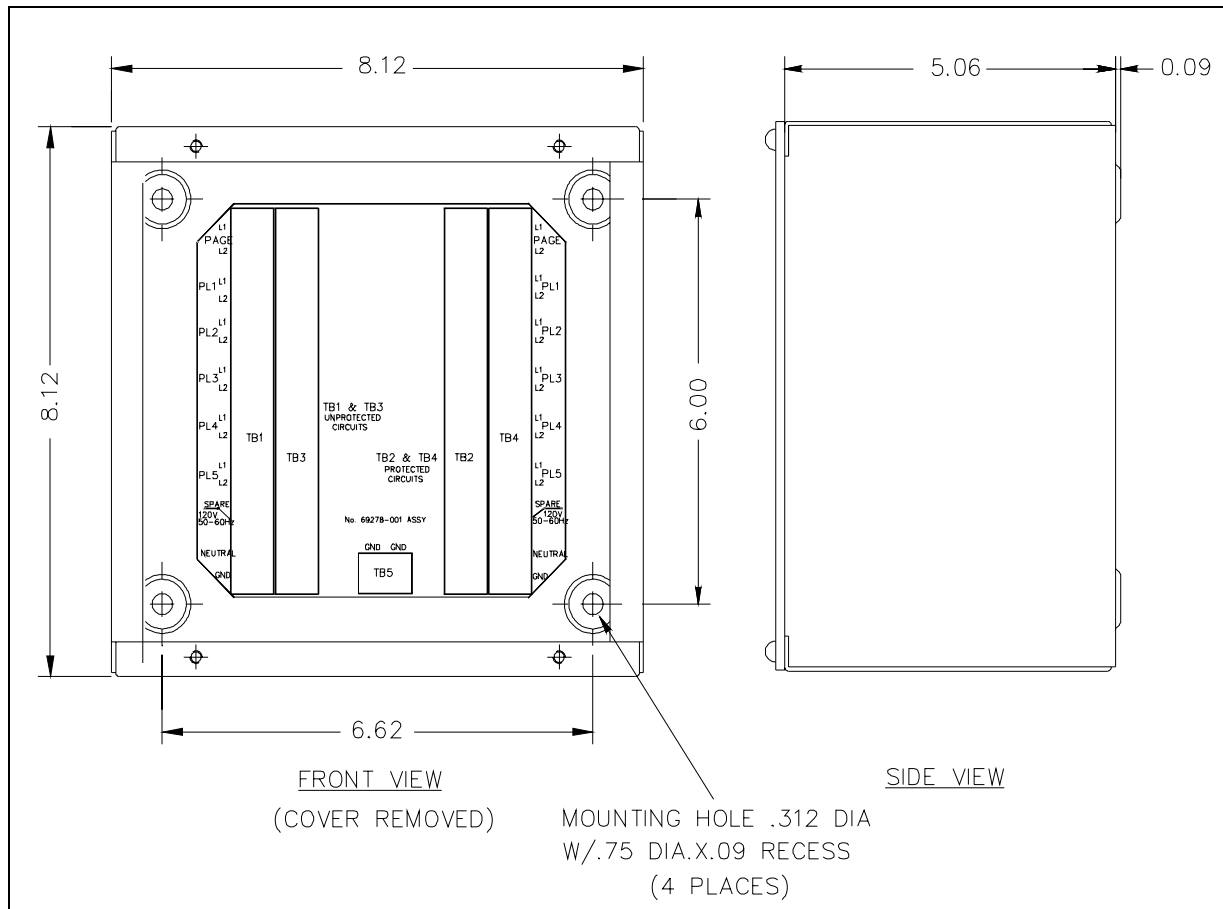


Figure 1. Enclosure Mounting Details

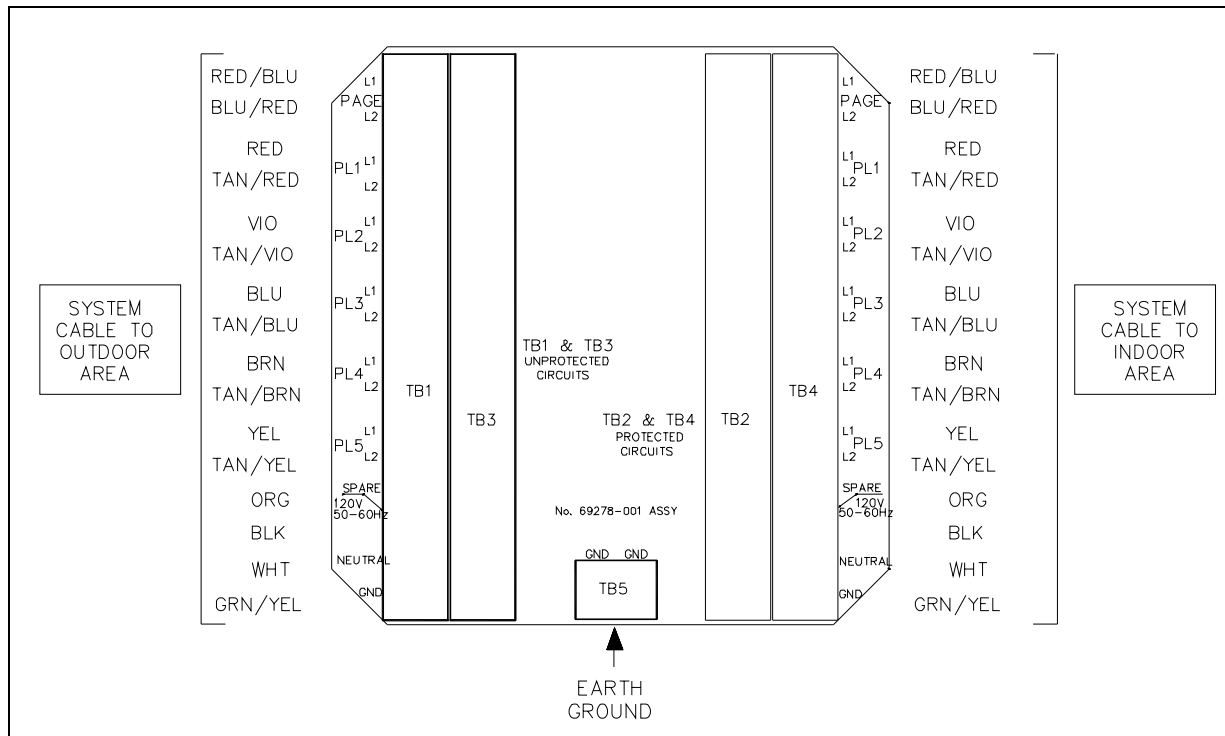


Figure 2. System Cable Wiring Diagram

## Maintenance

Basic preventive maintenance should be performed annually on each GAI-Tronics system. GAI-Tronics Service Department can tailor a service contract to address your facility's specific needs.

## Troubleshooting

There are no serviceable parts within the Model 10434-202 Building Entrance Protection Barrier. Contact GAI-Tronics Field Service Department at 800-492-1212 inside the USA or 610-777-1374 outside the USA if you feel the barrier is damaged or defective.

## Specifications

- Construction/finish..... 16-gauge cold-rolled steel/gray polyurethane
- Mounting..... Wall or column, four 5/16-inch mounting holes
- Connections.....Internal screw-type barrier terminal blocks
- Dimensions..... 8.1 H × 8.1 W × 5.1 D inches; (206 × 206 × 129 mm)
- Shipping weight..... 5.5 lbs. (2.5 kg)
- Approvals..... UL: Hazardous (Classified) Locations, Class I, Division 2, Groups A, B, C, D

# Warranty

---

Equipment. GAI-Tronics warrants for a period of one (1) year from the date of shipment, that any GAI-Tronics equipment supplied hereunder shall be free of defects in material and workmanship, shall comply with the then-current product specifications and product literature, and if applicable, shall be fit for the purpose specified in the agreed-upon quotation or proposal document. If (a) Seller's goods prove to be defective in workmanship and/or material under normal and proper usage, or unfit for the purpose specified and agreed upon, and (b) Buyer's claim is made within the warranty period set forth above, Buyer may return such goods to GAI-Tronics' nearest depot repair facility, freight prepaid, at which time they will be repaired or replaced, at Seller's option, without charge to Buyer. Repair or replacement shall be Buyer's sole and exclusive remedy. The warranty period on any repaired or replacement equipment shall be the greater of the ninety (90) day repair warranty or one (1) year from the date the original equipment was shipped. In no event shall GAI-Tronics warranty obligations with respect to equipment exceed 100% of the total cost of the equipment supplied hereunder. Buyer may also be entitled to the manufacturer's warranty on any third-party goods supplied by GAI-Tronics hereunder. The applicability of any such third-party warranty will be determined by GAI-Tronics.

Services. Any services GAI-Tronics provides hereunder, whether directly or through subcontractors, shall be performed in accordance with the standard of care with which such services are normally provided in the industry. If the services fail to meet the applicable industry standard, GAI-Tronics will re-perform such services at no cost to buyer to correct said deficiency to Company's satisfaction provided any and all issues are identified prior to the demobilization of the Contractor's personnel from the work site. Re-performance of services shall be Buyer's sole and exclusive remedy, and in no event shall GAI-Tronics warranty obligations with respect to services exceed 100% of the total cost of the services provided hereunder.

Warranty Periods. Every claim by Buyer alleging a defect in the goods and/or services provided hereunder shall be deemed waived unless such claim is made in writing within the applicable warranty periods as set forth above. Provided, however, that if the defect complained of is latent and not discoverable within the above warranty periods, every claim arising on account of such latent defect shall be deemed waived unless it is made in writing within a reasonable time after such latent defect is or should have been discovered by Buyer.

Limitations / Exclusions. The warranties herein shall not apply to, and GAI-Tronics shall not be responsible for, any damage to the goods or failure of the services supplied hereunder, to the extent caused by Buyer's neglect, failure to follow operational and maintenance procedures provided with the equipment, or the use of technicians not specifically authorized by GAI-Tronics to maintain or service the equipment. **THE WARRANTIES AND REMEDIES CONTAINED HEREIN ARE IN LIEU OF AND EXCLUDE ALL OTHER WARRANTIES AND REMEDIES, WHETHER EXPRESS OR IMPLIED BY OPERATION OF LAW OR OTHERWISE, INCLUDING ANY WARRANTIES OF MERCHANTABILITY OR FITNESS FOR A PARTICULAR PURPOSE.**

## Return Policy

---

If the equipment requires service, contact your Regional Service Center for a return authorization number (RA#). Equipment should be shipped prepaid to GAI-Tronics with a return authorization number and a purchase order number. If the equipment is under warranty, repairs or a replacement will be made in accordance with the warranty policy set forth above. Please include a written explanation of all defects to assist our technicians in their troubleshooting efforts.

Call 800-492-1212 (inside the USA) or 610-777-1374 (outside the USA) for help identifying the Regional Service Center closest to you.