



GAI-TRONICS®
A HUBBELL COMPANY

Models 240WM-00x & 241WM-00x Wall-Mount Stanchion Assemblies

Confidentiality Notice

This manual is provided solely as an installation, operation, and maintenance guide and contains sensitive business and technical information that is confidential and proprietary to GAI-Tronics. GAI-Tronics retains all intellectual property and other rights in or to the information contained herein, and such information may only be used in connection with the operation of your GAI-Tronics product or system. This manual may not be disclosed in any form, in whole or in part, directly or indirectly, to any third party.

General Information

The Models 240WM-00x and 241WM-00x Wall-Mount Stanchions are part of a completely integrated emergency telephone communications station. Both models are designed to house a flush-mount GAI-Tronics telephone (397, 398, and 27x series). Each stanchion includes a factory-installed, blue, LED strobe with a constant-on feature. The strobe will flash when the installed telephone (purchased separately) is activated and will remain flashing until the call has been terminated. See Publication 42004-438 for detailed telephone operation.

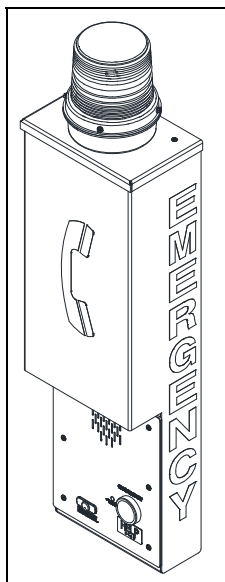


Figure 1.
Model 240WM-00x

In addition to the strobe, the Model 240WM-00x; shown in Figure 1, is designed with a recessed panel and a factory-installed LED panel light directly above the recessed panel. The telephone is mounted in the recessed panel under the LED panel light which provides illumination for the telephone when installed in dimly-lit areas.

The Model 241WM-00x Stanchion; shown in Figure 2, does not have a recessed panel as the telephone mounts directly to the body surface. This model is intended for areas where telephone panel illumination is not necessary.

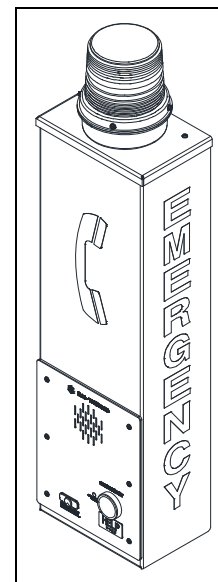
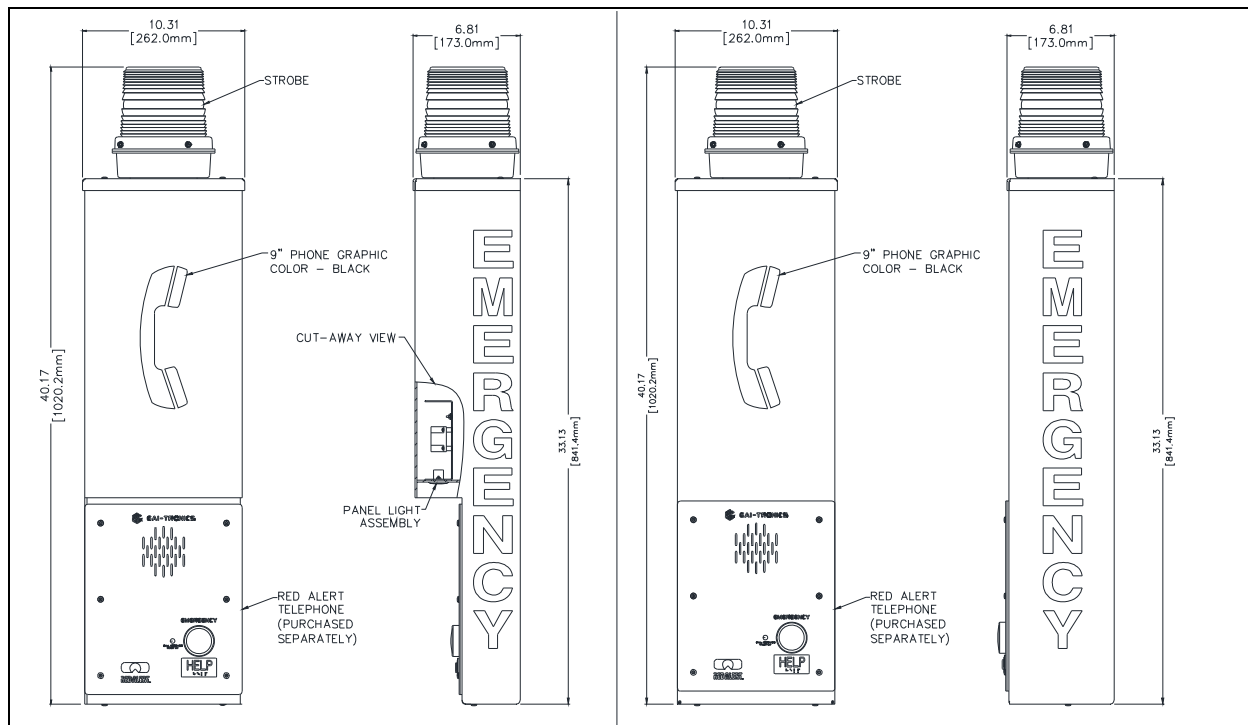


Figure 2.
Model 241WM-00x



Model 240WM-00x

Model 241WM-00x

Figure 3. Wall-Mount Stanchions Overall Dimensions

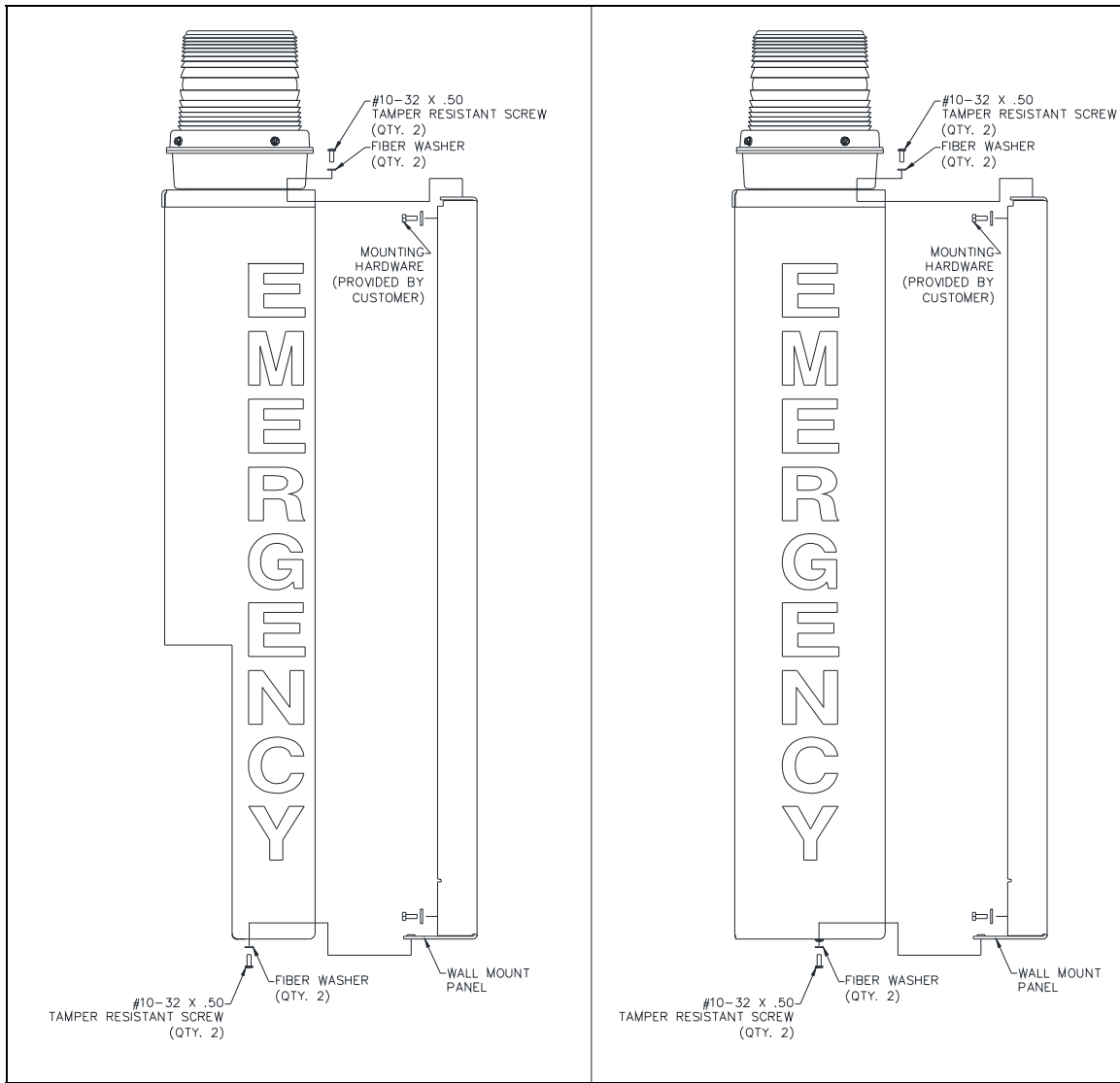
Grounding Requirements

This unit must be grounded in accordance with the National Electrical Code (NEC) in the United States or the Canadian Electrical Codes (CEC) in Canada. A #6 grounding stud has been provided on the rear wall-mount panel of the stanchion for grounding. Connect the #6 grounding stud to a grounding electrode. A grounding electrode rod is typically 8 feet (2.44 m) long per NEC 250, or 9.84 feet (3 m) long per CEC Rule 10.

Wall-Mount Stanchion Installation

The following sections provide information for installation of the complete wall-mount stanchion.

1. Remove and save the two tamper-resistant screws located at the top of the stanchion. Remove and save the two tamper-resistant screws located at the bottom of the stanchion. See Figure 4.
NOTE: GAI-Tronics No. 233-001 Security screwdriver (sold separately) is required to remove the tamper-resistant screws.
2. Disassemble the front panel assembly by sliding the front enclosure from the rear mounting panel. Refer to Figure 4. Place the front panel assembly safely aside.

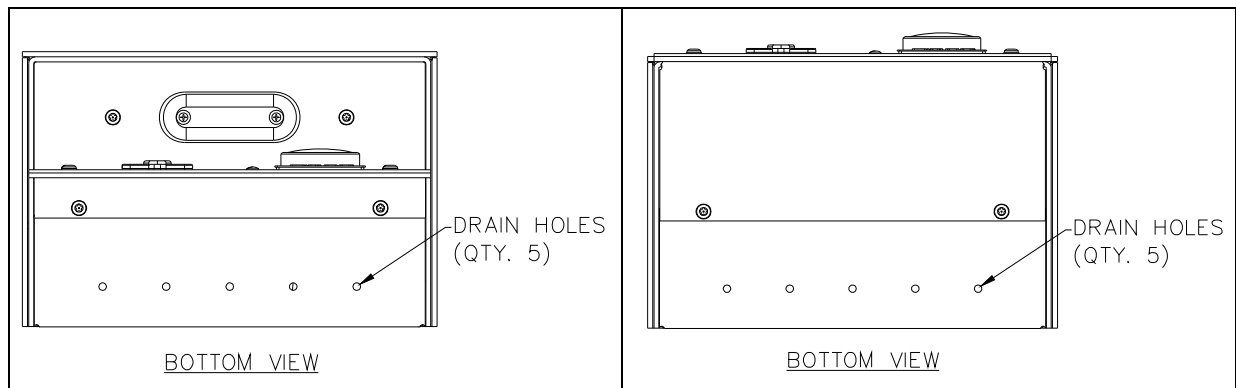


No. 240WM-00x Stanchion

No. 241WM-00x Stanchion

Figure 4. Disassembly Instructions

3. In the rear wall-mount panel, drill conduit entry holes utilizing the bottom drain holes as pilot hole locations. These conduit holes can be used for the stanchion power cable and communication cable entry. See Figure 5.



No. 240WM-00x Stanchion

No. 241WM-00x Stanchion

Figure 5. Conduit Installation

4. Fasten the rear wall-mount panel to a wall or flat surface utilizing the four mounting holes in the panel. See Figure 6. The mounting surface must be capable of supporting at least 30 pounds. Attach the rear mounting panel with 1/4-inch diameter bolts and washers. Place the supplied rubber washers between the mounting bolt and rear mounting panel for proper sealing. Refer to Figure 4.

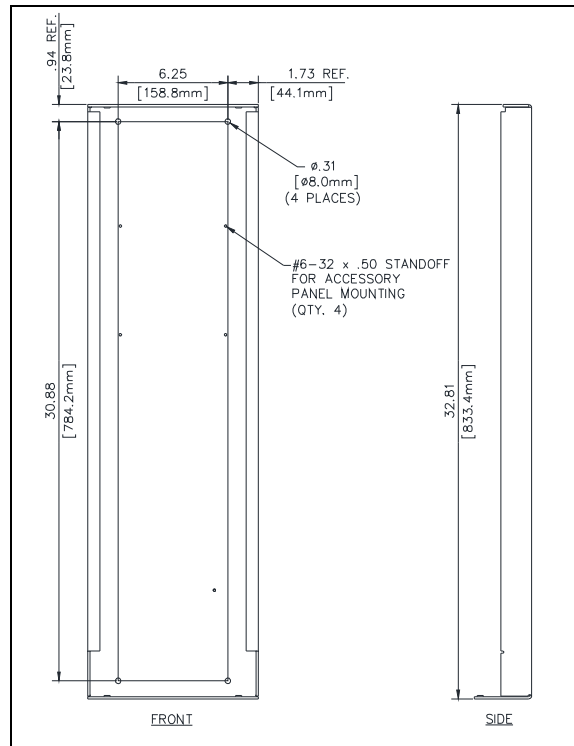


Figure 6. Rear Wall-mount Panel Detail

Wiring

Connect the ac input power conductors to the LED beacon and panel light ac power conductors. Be sure to utilize the proper wire colors for each component's power input. An ac power surge protector is recommended for installation. See Figure 7.

NOTE: Only Model 240WM-00x includes the panel light.

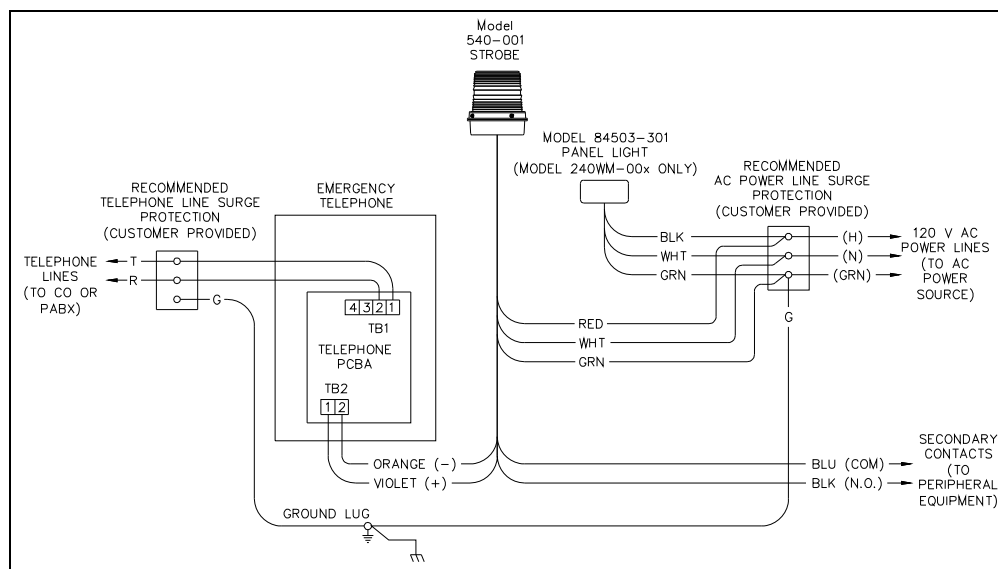


Figure 7. Installation Wiring

Reattaching the Front Enclosure

When attaching the front enclosure to the wall-mounted rear mounting panel, apply pressure to the front enclosure to compress the interior sealing gaskets. With pressure applied, assemble the top tamper-resistant screws first, followed by the bottom screws.

NOTE: If the mounting surface is irregular, such as a block wall, the rear mounting panel may become deformed during installation. This could cause difficulty when aligning the top attachment screws. The top mounting hole diameter can be drilled larger to accommodate the installation; however, an additional sealing washer must be used if the clearance hole diameter is increased.

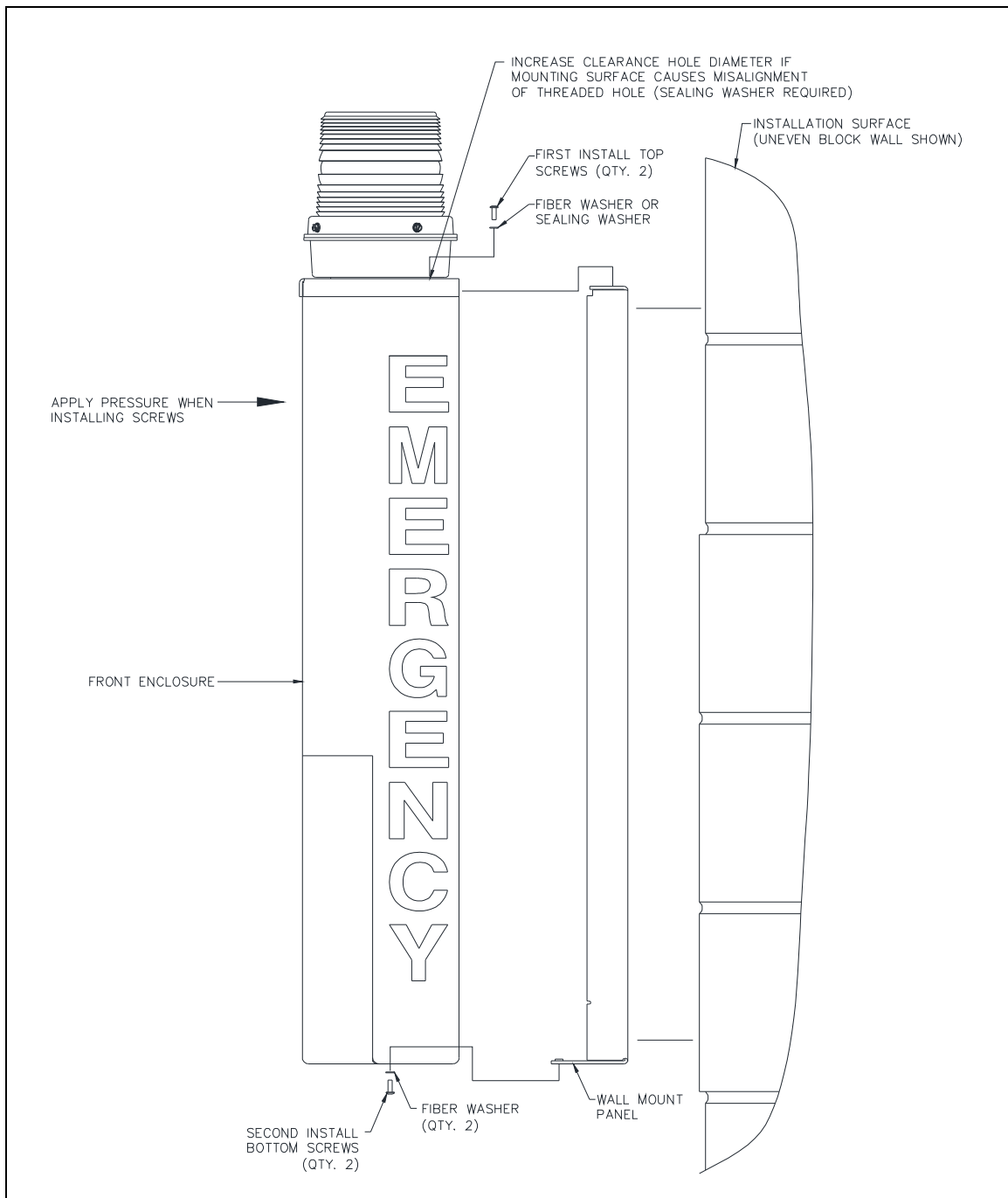
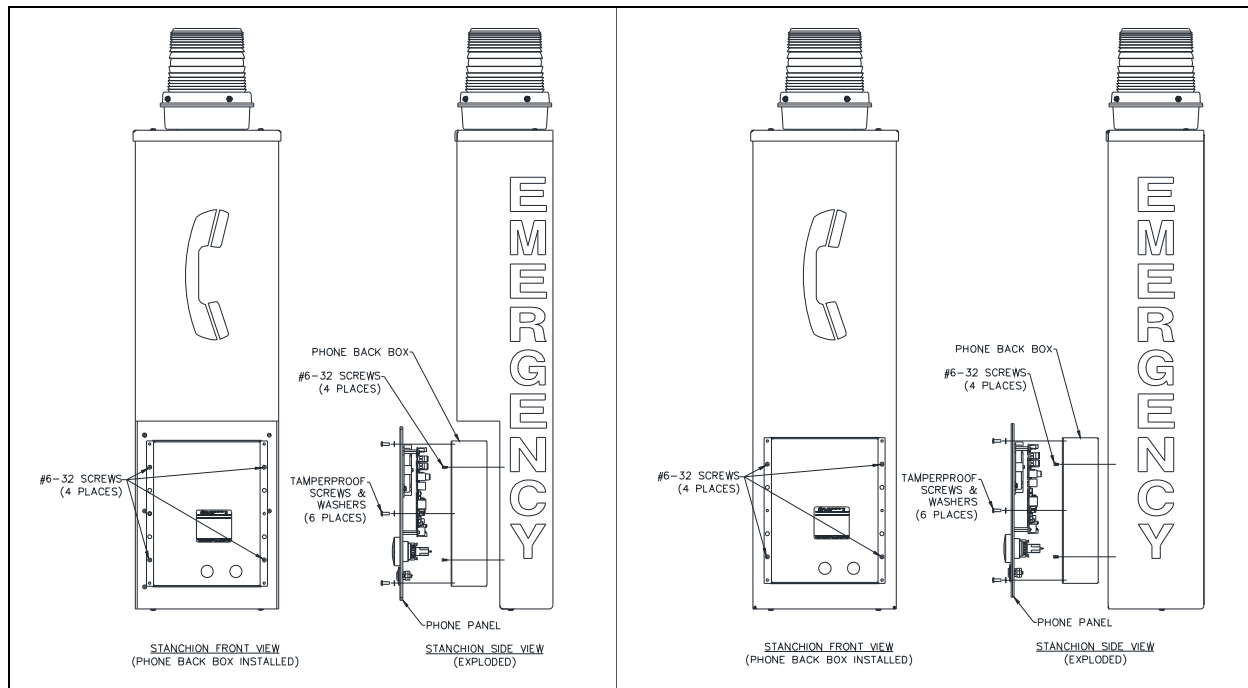


Figure 8. Attaching the Front Enclosure

Emergency Telephone Installation

Separate the back box from the front panel of the telephone. The parts envelope inside the back box contains eight #6-32 flat head screws, six tamperproof screws, six washers, and a hole plug.

1. Place the back box into the telephone opening from the front of the stanchion. Mount the box using four of the #6-32 flat head screws. See Figure 9. The telephone back box has two openings in the rear enclosure surface. Plug any unused entry location with the provided hole plug.



No. 240WM-00x Stanchion

No. 241WM-00x Stanchion

Figure 9. Telephone and Back Box Installation

2. A telephone line surge suppressor is recommended for installation (customer supplied). Install a ground wire between the telephone line surge suppressor (sold separately) and the grounding lug on the rear wall-mount panel of the stanchion.
3. The flush-mount telephone is shipped from the factory with a cable and modular plug attached to TB1. If the telephone line is to be hard-wired to the telephone, this cable can be removed and discarded. If desired, an optional modular telephone jack can be mounted to the inside of the back box allowing the use of the cable and modular plug that is attached to TB1.
4. Connect the telephone line to the surge protector. Feed the telephone cable through one of the rear access holes of the telephone back box. Connect it to a modular plug connector jack or hardwire it to TB1.
5. Bring the orange and violet strobe unit wires through the second rear surface access hole in the back box. Attach the LED beacon violet and orange control wires to TB2 on the telephone PCBA as shown in Figure 7.
6. Install the telephone's front panel using the six tamper-resistant screws and six washers provided.

NOTE: Excessive tightening will cause the panel to warp. Do not over-tighten the panel.

Repairing Surface Damage to Powder-Coated Stanchions

Scratch Repair

1. Carefully sand the damaged area to clean and score the base metal, taking care to minimize any additional damage to the surrounding powder coating.
2. Wipe the sanded area with a cleaning solvent, such as DuPont "PrepSol"; normally available at auto parts stores, or equivalent. Denatured alcohol may also be used. Allow the area to dry.
3. Prepare the bare metal surface for painting by treating it with a phosphoric acid solution intended for this purpose. The phosphoric acid solution is also normally available at auto parts stores. Allow the area to dry.
4. Using a cotton-tipped swab or small brush, paint the prepared surface with an automotive enamel or oil base polyurethane enamel such as Red Devil, Rustoleum, or equivalent. Do NOT use Krylon-type paints. Carefully blend the repair enamel into the powder coat at the edges.

NOTE: Exact color matches may not be attainable.

Decal Repair

1. Using a very sharp instrument such as an X-Acto-type knife, loosen then lift a corner edge of the damaged decal.
2. Carefully peel back and remove the loosened decal.
3. Wipe the area clean with denatured alcohol. Allow the area to dry.
4. Prior to attaching a new decal, dampen the target area with a fine mist of water (fine spray from a plant misting bottle is ideal).
5. Peel the backing from the replacement decal, leaving the decal attached to the front cover material, and carefully align it with the target area.
6. With the cover material still attached, press the replacement decal in place, then squeegee any water from under the new decal starting at the center and working toward the edges.
7. Peel off the cover material, being careful not to tear or lift the decal. If the decal lifts as the cover material is being removed, push down on the uncovered decal, and squeegee as necessary to remove any large bubbles; small bubbles will disappear as the decal dries.

Replacement Parts

Model	Description
540-001	LED Strobe, 120 V ac
84503-301	LED Panel Light, 12 V ac
25398-011	EMERGENCY Decal
25398-012	Phone Symbol Decal

Specifications

Dimensions 40.25 H × 10.31 W × 6.81 D in (1022.4 × 261.9 × 173.0 mm)

Wall thickness 1/8-inch aluminum

Finish Gloss Powder Coat Epoxy

Power ratings:

 Model 540-001 AC Strobe 0.35 A @ 120 V ac

 Model 84503-301 AC Panel Light Assembly 25 mA @ 120–230 V ac

Weight Approximately 30 lb

Approvals

UL/cUL listed telephone stanchion UL 1598—Standard for Luminaries,
and CSA C22.2 NO 250.0-8—Standard for Luminaries

Environmental Rating Indoor/Outdoor—Suitable for wet locations

Warranty

Equipment. GAI-Tronics warrants for a period of one (1) year from the date of shipment, that any GAI-Tronics equipment supplied hereunder shall be free of defects in material and workmanship, shall comply with the then-current product specifications and product literature, and if applicable, shall be fit for the purpose specified in the agreed-upon quotation or proposal document. If (a) Seller's goods prove to be defective in workmanship and/or material under normal and proper usage, or unfit for the purpose specified and agreed upon, and (b) Buyer's claim is made within the warranty period set forth above, Buyer may return such goods to GAI-Tronics' nearest depot repair facility, freight prepaid, at which time they will be repaired or replaced, at Seller's option, without charge to Buyer. Repair or replacement shall be Buyer's sole and exclusive remedy. The warranty period on any repaired or replacement equipment shall be the greater of the ninety (90) day repair warranty or one (1) year from the date the original equipment was shipped. In no event shall GAI-Tronics warranty obligations with respect to equipment exceed 100% of the total cost of the equipment supplied hereunder. Buyer may also be entitled to the manufacturer's warranty on any third-party goods supplied by GAI-Tronics hereunder. The applicability of any such third-party warranty will be determined by GAI-Tronics.

Services. Any services GAI-Tronics provides hereunder, whether directly or through subcontractors, shall be performed in accordance with the standard of care with which such services are normally provided in the industry. If the services fail to meet the applicable industry standard, GAI-Tronics will re-perform such services at no cost to buyer to correct said deficiency to Company's satisfaction provided any and all issues are identified prior to the demobilization of the Contractor's personnel from the work site. Re-performance of services shall be Buyer's sole and exclusive remedy, and in no event shall GAI-Tronics warranty obligations with respect to services exceed 100% of the total cost of the services provided hereunder.

Warranty Periods. Every claim by Buyer alleging a defect in the goods and/or services provided hereunder shall be deemed waived unless such claim is made in writing within the applicable warranty periods as set forth above. Provided, however, that if the defect complained of is latent and not discoverable within the above warranty periods, every claim arising on account of such latent defect shall be deemed waived unless it is made in writing within a reasonable time after such latent defect is or should have been discovered by Buyer.

Limitations / Exclusions. The warranties herein shall not apply to, and GAI-Tronics shall not be responsible for, any damage to the goods or failure of the services supplied hereunder, to the extent caused by Buyer's neglect, failure to follow operational and maintenance procedures provided with the equipment, or the use of technicians not specifically authorized by GAI-Tronics to maintain or service the equipment. **THE WARRANTIES AND REMEDIES CONTAINED HEREIN ARE IN LIEU OF AND EXCLUDE ALL OTHER WARRANTIES AND REMEDIES, WHETHER EXPRESS OR IMPLIED BY OPERATION OF LAW OR OTHERWISE, INCLUDING ANY WARRANTIES OF MERCHANTABILITY OR FITNESS FOR A PARTICULAR PURPOSE.**

Return Policy

If the equipment requires service, contact your Regional Service Center for a return authorization number (RA#). Equipment should be shipped prepaid to GAI-Tronics with a return authorization number and a purchase order number. If the equipment is under warranty, repairs or a replacement will be made in accordance with the warranty policy set forth above. Please include a written explanation of all defects to assist our technicians in their troubleshooting efforts.

Call 800-492-1212 (inside the USA) or 610-777-1374 (outside the USA) for help identifying the Regional Service Center closest to you.