



GAI-TRONICS®  
A HUBBELL COMPANY

# 238-003 Stainless-Steel Surface-Mount Enclosure

---

## Confidentiality Notice

This manual is provided solely as an installation, operation, and maintenance guide and contains sensitive business and technical information that is confidential and proprietary to GAI-Tronics. GAI-Tronics retains all intellectual property and other rights in or to the information contained herein, and such information may only be used in connection with the operation of your GAI-Tronics product or system. This manual may not be disclosed in any form, in whole or in part, directly or indirectly, to any third party.

## General Information

The Model 238-003 Stainless-Steel Surface-Mount Enclosure provides surface-mounting capability for GAI-Tronics flush-panel behavioral-health telephones with model numbers containing **BH** that measure 8.5 H × 7.5 W inches.

The following components are supplied with the Model 238-003 Enclosure:

<b>Qty</b>	<b>Description</b>
2	access hole gaskets
3	conduit hole seals
4	#10 stainless steel/neoprene washers
6	#10-32 × ½-inch stainless-steel tamper resistant screws
6	black #10 fiber washers

## Installation

### Safety Guidelines

Adhere to the following guidelines to ensure the safety of all personnel when installing GAI-Tronics' telephone equipment:

- NEVER install telephone wiring during a lightning storm.
- NEVER install telephone jacks in wet locations unless the jack is specifically designed for wet locations.
- NEVER touch uninsulated telephone wires or terminals unless the telephone line has been disconnected at the network interface.
- USE CAUTION when installing or modifying telephone lines.

## Installation Guidelines

- GAI-Tronics highly recommends that a line surge suppressor be installed to guard against lightning strikes. Please consult Distributor Sales at 800-838-9313 if further information is required.
- Sealed fittings should be installed at all cable entry points to prevent liquids from entering the unit.

**NOTE:** GAI-Tronics flush-mount telephones are equipped with a metal back box that is not required and *should be removed* prior to installing the telephone in the Model 238-003 Surface Mount Enclosure.

## Enclosure Mounting

1. Determine what holes to use for wire entry to the enclosure.

Two 0.86-inch diameter holes are located on the rear of the enclosure and two 0.86-inch diameter holes are located on the bottom of the enclosure for conduit entry.

2. Apply the supplied access hole gaskets around all used entry holes in the rear of the enclosure.
3. Install the supplied conduit seals in all unused entry holes.
4. Mount the enclosure on a flat wall surface using the four ¼-inch (0.25 in) diameter mounting holes (see Figure 1).

Four #10 stainless steel/neoprene washers are provided to ensure sealing. Additional mounting hardware is not included.

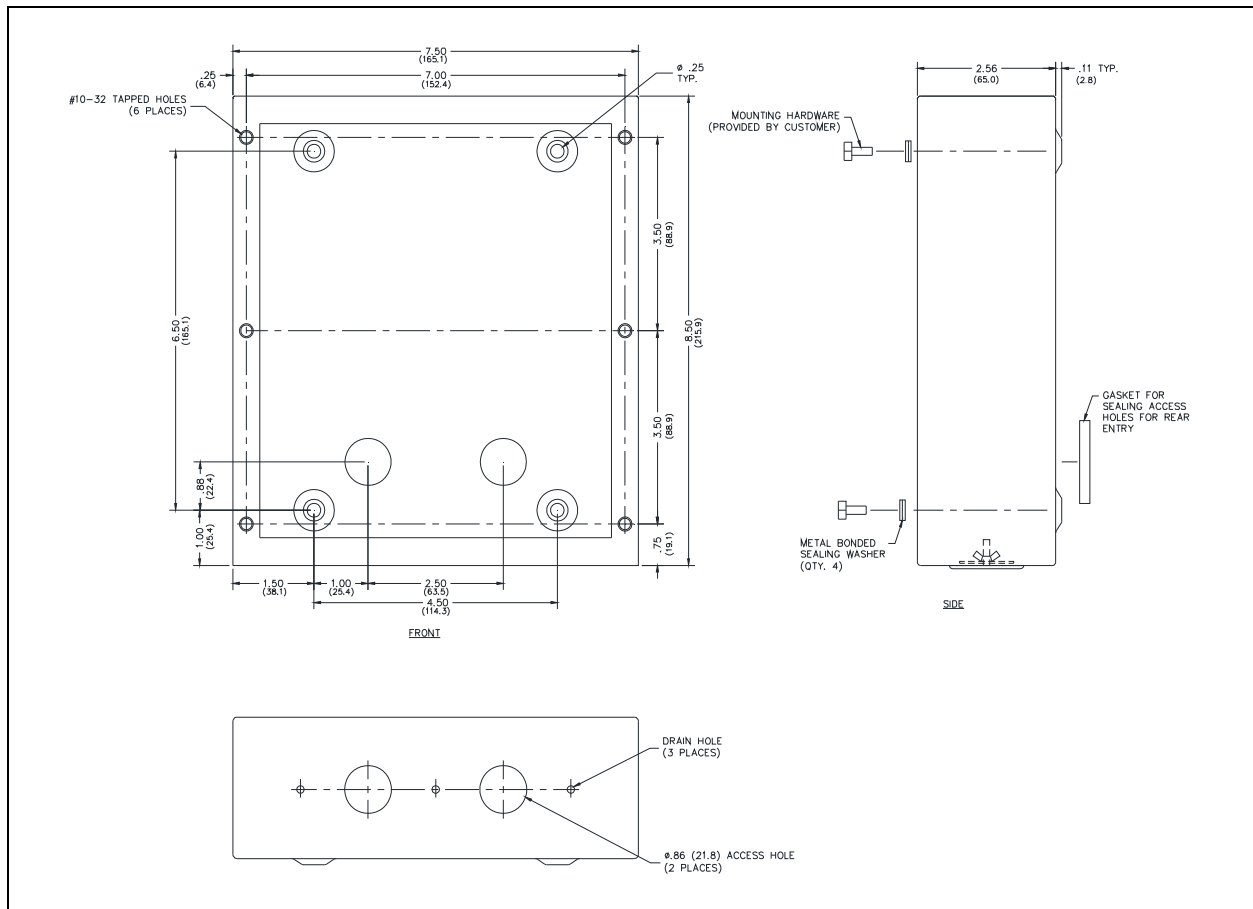


Figure 1. Model 238-001 Surface-Mount Enclosure Outline Drawing

## Wiring

1. Refer to the applicable telephone manual for wiring details.
2. Attach the front panel of the flush-mount telephone to the mounting flanges of the Model 238-003 Enclosure using six #10 security screws and six black flat washers provided with this enclosure.
3. Torque the #10-32 security screws to 15–20 in·lb (1.7–2.26 N·m) maximum.

A Model 233-001 Security Screwdriver (sold-separately) is required for installing the security screws (Torx T-25).

## Specifications

Construction..... type 304 stainless steel, 0.063-inches thick  
 Finish ..... brushed and passivated  
 Mounting..... four ¼-inch (6.4 mm) diameter mounting holes in mounting bosses  
 Dimensions ..... 8.5 H × 7.5 W × 2.56 D in (215 × 190.5 × 65.0 mm) maximum  
 Shipping weight ..... 3.0 lb (1.4 kg) maximum

Table 1. Accessories

<b>Part Number</b>	<b>Description</b>
231-001FS	Pole Mounting Kit

# Warranty

---

Equipment. GAI-Tronics warrants for a period of one (1) year from the date of shipment, that any GAI-Tronics equipment supplied hereunder shall be free of defects in material and workmanship, shall comply with the then-current product specifications and product literature, and if applicable, shall be fit for the purpose specified in the agreed upon quotation or proposal document. If (a) Seller's goods prove to be defective in workmanship and/or material under normal and proper usage, or unfit for the purpose specified and agreed upon, and (b) Buyer's claim is made within the warranty period set forth above, Buyer may return such goods to GAI-Tronics nearest depot repair facility, freight prepaid, at which time they will be repaired or replaced, at Seller's option, without charge to Buyer. Repair or replacement shall be Buyer's sole and exclusive remedy. The warranty period on any repaired or replacement equipment shall be the greater of the ninety (90) day repair warranty or one (1) year from the date the original equipment was shipped. In no event shall GAI-Tronics warranty obligations with respect to equipment exceed 100% of the total cost of the equipment supplied hereunder. Buyer may also be entitled to the manufacturer's warranty on any third-party goods supplied by GAI-Tronics hereunder. The applicability of any such third-party warranty will be determined by GAI-Tronics.

Services. Any services GAI-Tronics provides hereunder, whether directly or through subcontractors, shall be performed in accordance with the standard of care with which such services are normally provided in the industry. If the services fail to meet the applicable industry standard, GAI-Tronics will re-perform such services at no cost to buyer to correct said deficiency to Company's satisfaction provided any and all issues are identified prior to the demobilization of the Contractor's personnel from the work site. Re-performance of services shall be Buyer's sole and exclusive remedy, and in no event shall GAI-Tronics warranty obligations with respect to services exceed 100% of the total cost of the services provided hereunder.

Warranty Periods. Every claim by Buyer alleging a defect in the goods and/or services provided hereunder shall be deemed waived unless such claim is made in writing within the applicable warranty periods as set forth above. Provided, however, that if the defect complained of is latent and not discoverable within the above warranty periods, every claim arising on account of such latent defect shall be deemed waived unless it is made in writing within a reasonable time after such latent defect is or should have been discovered by Buyer.

Limitations / Exclusions. The warranties herein shall not apply to, and GAI-Tronics shall not be responsible for, any damage to the goods or failure of the services supplied hereunder, to the extent caused by Buyer's neglect, failure to follow operational and maintenance procedures provided with the equipment, or the use of technicians not specifically authorized by GAI-Tronics to maintain or service the equipment. **THE WARRANTIES AND REMEDIES CONTAINED HEREIN ARE IN LIEU OF AND EXCLUDE ALL OTHER WARRANTIES AND REMEDIES, WHETHER EXPRESS OR IMPLIED BY OPERATION OF LAW OR OTHERWISE, INCLUDING ANY WARRANTIES OF MERCHANTABILITY OR FITNESS FOR A PARTICULAR PURPOSE.**

## Return Policy

---

If the equipment requires service, contact your Regional Service Center for a return authorization number (RA#). Equipment should be shipped prepaid to GAI-Tronics with a return authorization number and a purchase order number. If the equipment is under warranty, repairs or a replacement will be made in accordance with the warranty policy set forth above. Please include a written explanation of all defects to assist our technicians in their troubleshooting efforts.

Call 800-492-1212 (inside the USA) or 610-777-1374 (outside the USA) for help identifying the Regional Service Center closest to you.