

ALCR1277 Emergency Lighting Control Unit INSTALLATION INSTRUCTIONS

INSTALLATION OVERVIEW

The installation instructions contained in this document are provided as a guide for proper and reliable installation. All electrical wiring and mounting hardware (i.e. electrical mounting box, conduit, etc.) should be prepared with consideration of the requirements outlined in the wiring and mounting diagrams contained in these instructions.

These instructions include information as follows:

Precautions
Description
Installation
Wiring Scenarios

PRECAUTIONS

- READ AND FOLLOW ALL SAFETY INSTRUCTIONS.
- CAUTION - RISK OF ELECTRICAL SHOCK. To prevent electrical shock, turn OFF power at the circuit breaker before installing or servicing unit. Never wire energized electrical components.
- NOTICE: For installation by a licensed electrician in accordance with National and/or local Electrical Codes and the following instructions.
- CAUTION: USE COPPER CONDUCTOR ONLY.
- Be sure to read and understand all instructions before installing or servicing unit
- For Indoor use only. Do not use outdoors.
- Confirm that device ratings are suitable for application prior to installation.
- No user serviceable parts contained inside unit. Refer all service related questions to the factory.
- All servicing shall be performed by qualified service personnel.
- Equipment should be mounted in locations and at heights where it will not readily be subjected to tampering by unauthorized personnel.
- Use only materials and components approved for electrical installations.
- NOTICE: Do not install if product appears to be damaged.
- If the equipment is used in a manner not specified by the manufacturer, the protection provided by the equipment may be impaired.
- Do not use this equipment for other than intended use.
- **SAVE THESE INSTRUCTIONS!**

DESCRIPTION

Hubbell Control Solutions Emergency Lighting Control Unit (ALCR1277) is specifically designed for bypass applications utilizing an un-switched emergency circuit that is controlled by a relay in a panel or control unit. The control of the lighting on the emergency circuit is switched ON and OFF based on the normal circuit switching input to the unit. When the loss of normal (utility) power occurs, the contact returns to its normally closed state and bypasses control to the emergency egress lighting.

As an option, the unit includes a test manual function that simulates utility power failure utilizing a local or remote switch or a signal from a control system.

Also, the unit features a bypass of one dimming channel rated at 100mA current sinking capacity enabling full brightness required for emergency egress lighting.

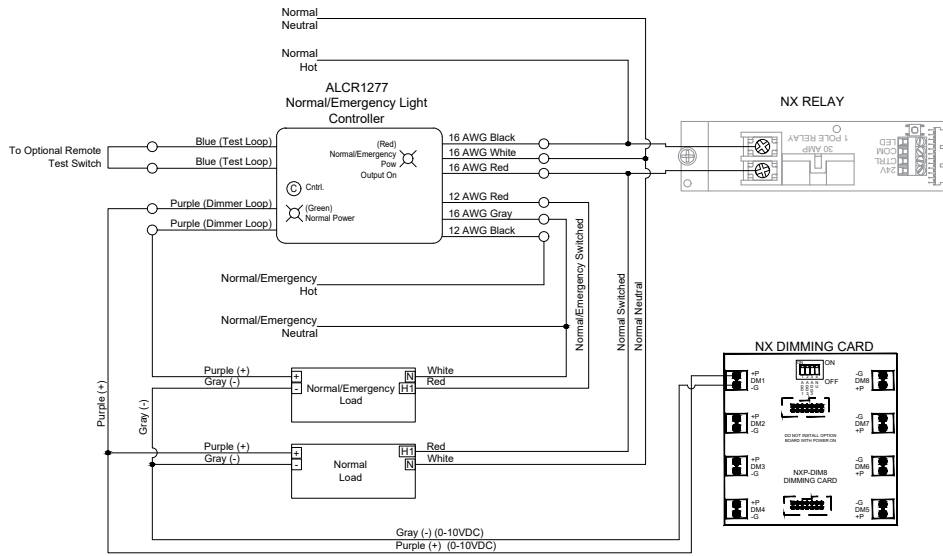
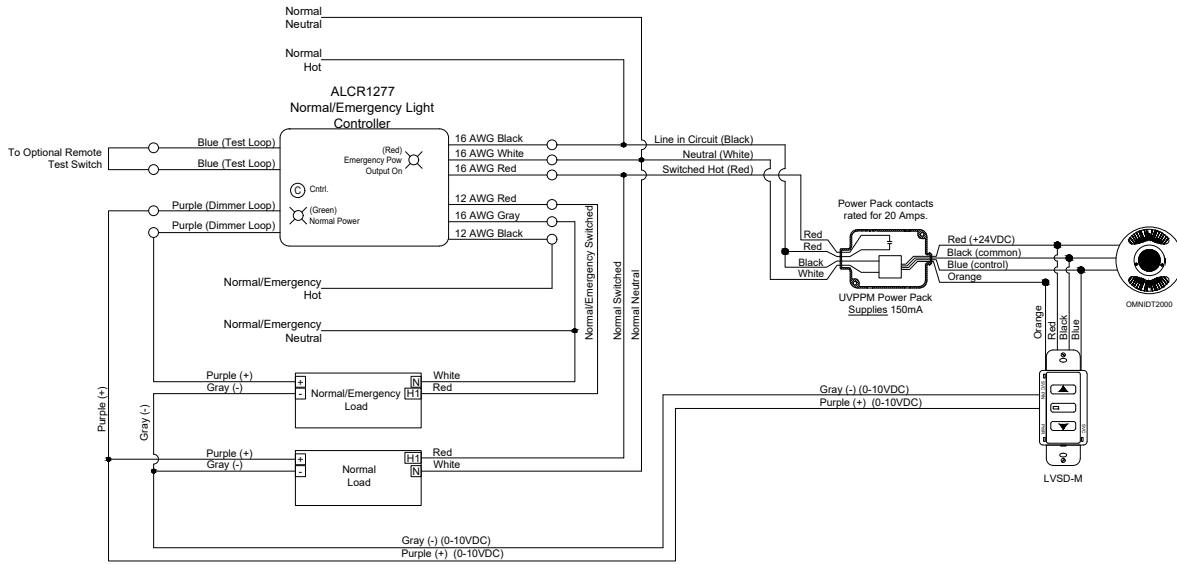
INSTALLATION

1. Turn power OFF at the service panel.
2. Use 6x32 pan head screws or ½" conduit locknut to secure unit if mounting inside junction box or in lighting fixture ballast cavity. A Low Voltage Nipple Adapter (sold separately) is available for installing unit between two junction box knockouts.
3. Connect the unit to the circuit as in accordance with the wiring scenarios shown below.
4. Turn power ON at the service panel.

72-00640C

ALCR1277 Emergency Lighting Control Unit INSTALLATION INSTRUCTIONS

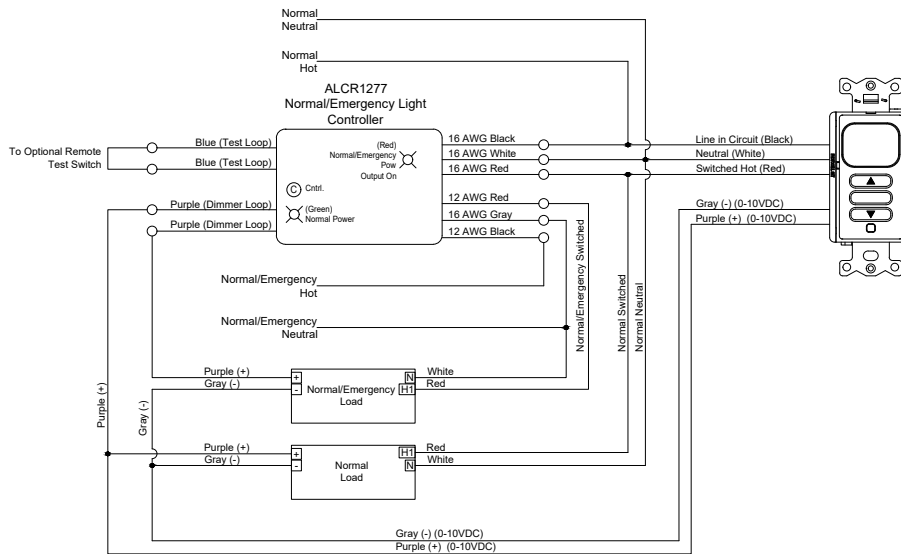
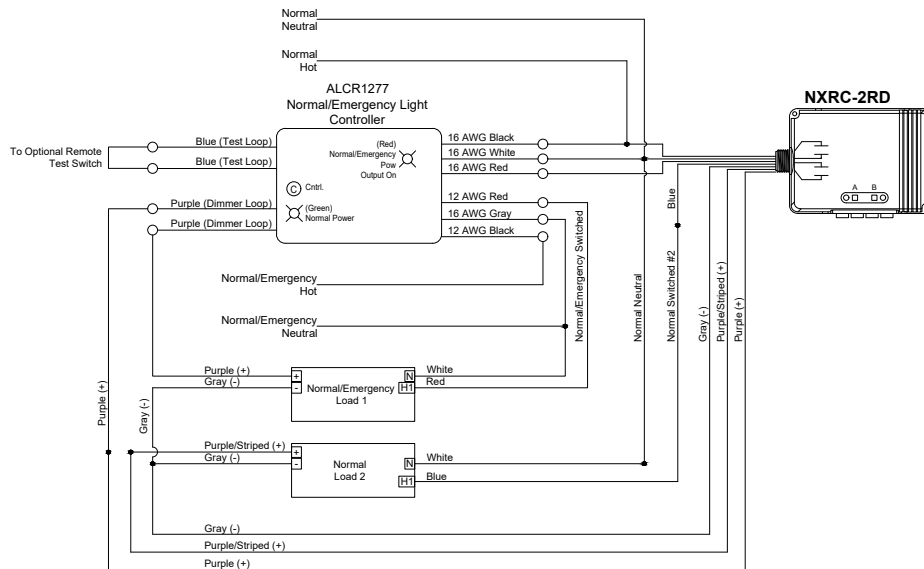
WIRING DIAGRAMS



72-00640C

ALCR1277 Emergency Lighting Control Unit INSTALLATION INSTRUCTIONS

WIRING DIAGRAMS



Caution: Prior to making any connections, verify that none of the loads are shorted. Failure to do so may result in personnel injury, damage to the unit, and void its warranty.

72-00640C