

The LVS-ERTB-PL-WH is a latching low voltage button switch with a red ring pilot light. It is designed to be used as an emergency test switch with the NXRC-UL924-UNV. The assembly includes a standard high impact polycarbonate switch box cover plate.

**INSTALLATION**

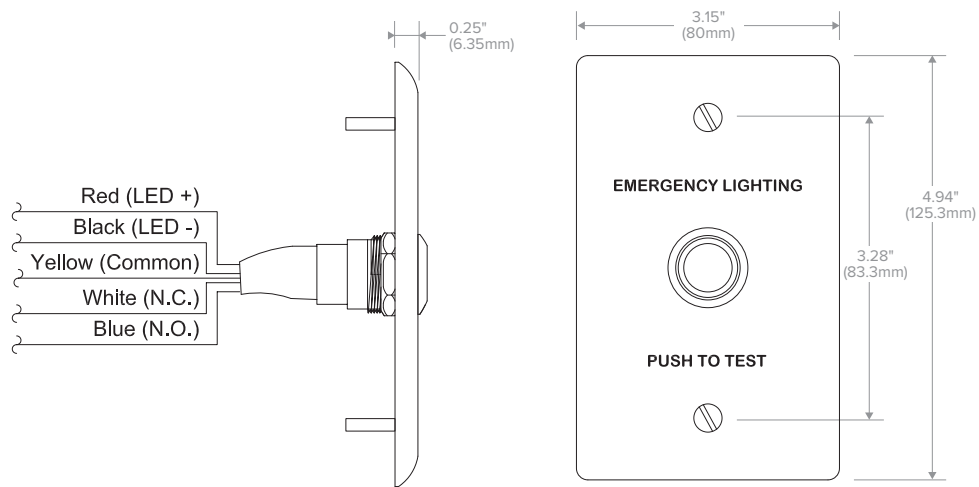
**NXRC-UL924-UNV**

(Cut the Blue Test Loop on the NXRC-UL924 and identify positive side)

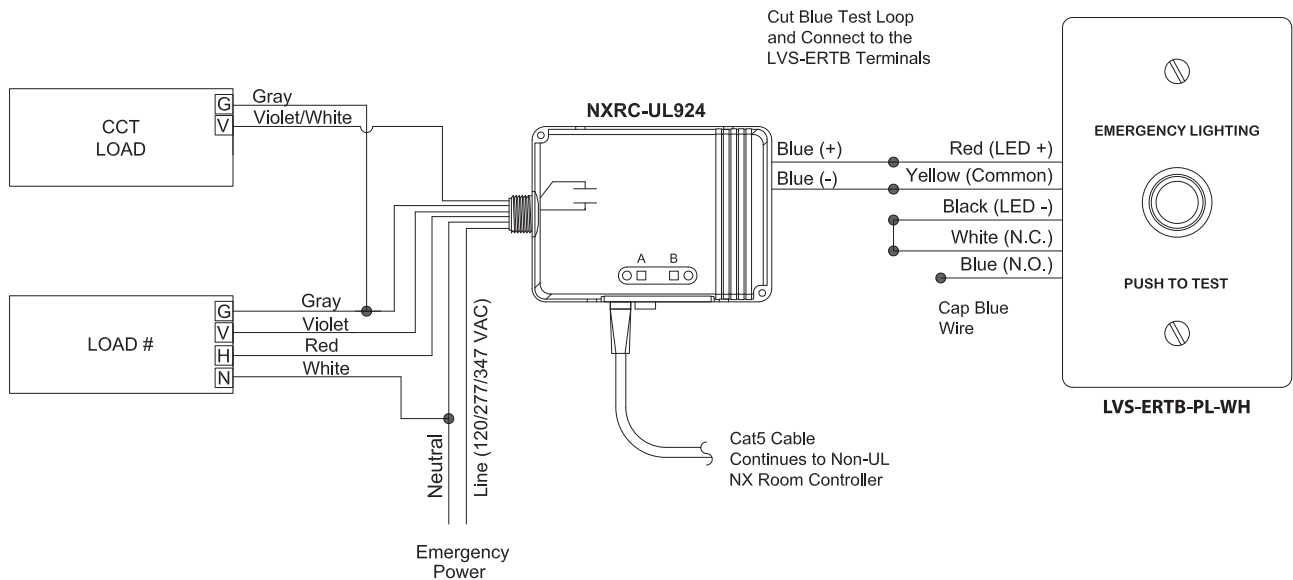
1. Connect the (+) Blue Test Loop wire to the Red LED (+) wire on the button
2. Connect the (-) Blue Test Loop wire to the Yellow (Common) wire on the button
3. Tie the Black LED (-) wire on the button to the White (Normally Closed) wire on the button
4. Cap the Blue (Normally Open) wire on the button
5. Install the plate onto the switch box, screws not provided

*Note: NXRC-UL924-UNV can only be used with LVS-ERTB-PL-WH*

**DIMENSIONS**



**WIRING DIAGRAM**



**LVS-ERTB-PL-WH with NXRC-UL924-UNV**