



238 LED

Ex db LED High Bay

The innovative new **238 LED** is an efficient low energy wellglass designed for general purpose low and medium bay illumination. With an instant on output and 80,000 maintenance free hours (L70), it offers significant benefits over the conventional product.

The luminaire has a side mounted increased safety terminal chamber eliminating the need for flameproof glands. The wide ambient temperature range makes the 238 LED suitable for extreme environmental conditions.



Mounting Options

Floodlight. Pendant. High Bay. Pole/Column.

Standard Specification

238 Ex db LED Highbay

Type of Protection	Ex db eb (Flameproof, Increased Safety) Ex tb (Dust Protected Enclosure)
ATEX Classification	Group II Category 2 GD
Area Classification	Zone 1 and Zone 21 areas to EN 60079-10-1 and EN 60079-10-2 with installation to EN 60079-14 Gas Groups IIA and IIB
Certificate	EU Type Examination Certificate Baseefa16ATEX0086X IECEX Certificate of Conformity IECEX BAS16.0019X
Coding	Ex db eb op is IIB T5 Gb Ex op is tb IIIC T100°C Db IP6X
Enclosure	Aluminium Alloy LM6 to BS 1490 (AC44100) All fastenings A4 stainless steel. Toughened glass dome globe
Entry	2 x M20 cable entries
Termination	3 core 6mm ² max. conductor with looping
Installation	Flush mounting bracket
Control Gear	Electronic Driver
Colour Temperature (CCT)	5000K
Colour Rendering Index (Ra)	>80
Maintenance	M10 SKT HD Screws
Ingress Protection	IP66 to EN 60529
Surge Protection	6kV
Electrical Supply	110-254V AC 50/60Hz

Features

- ◆ Highly **Energy Efficient**
- ◆ Ex e terminal chamber
- ◆ Instant on - crisp white light output
- ◆ Installation to gas groups IIA and IIB
- ◆ Low temperature applications to -40°C
- ◆ 80,000 maintenance free hours

Std. Cat No.	Delivered Output	Power Consumption	Tclass	T °C (Dust)	Ambient °C	Weight
238D/09L/LE	8820 lm	68W	T5	100	-40 to +55	15.0kg

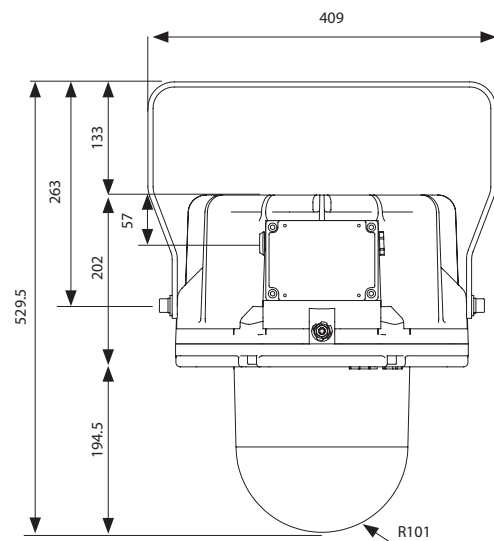
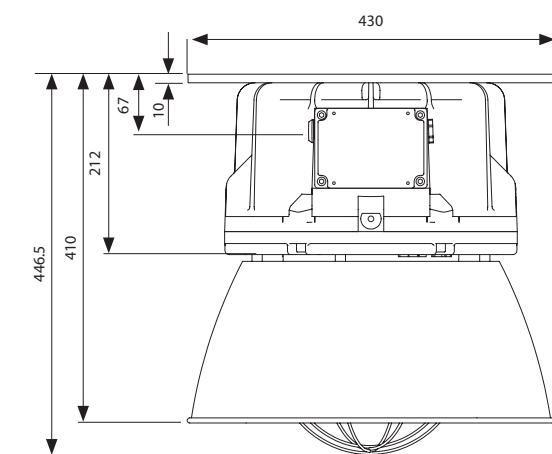
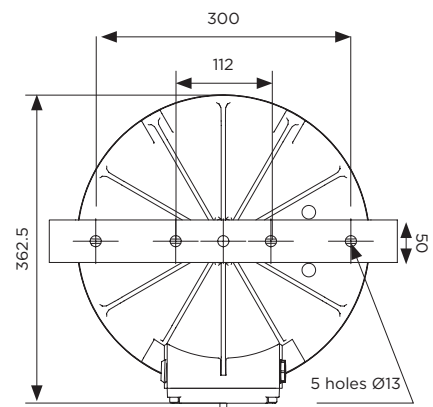
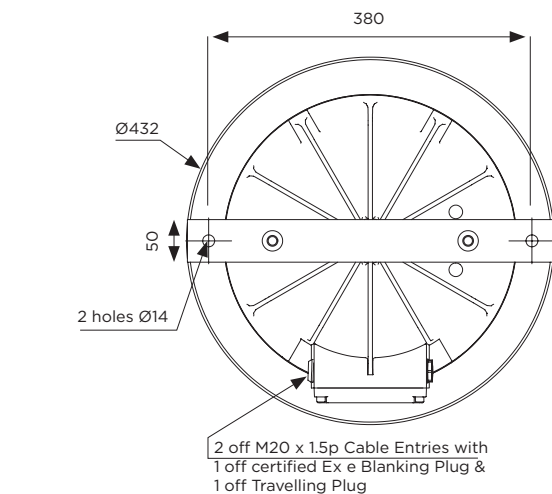
Options - Suffix to Catalogue No.

/M25	M25 Cable Entries	/S	Stirrup mounting bracket
/P	Marine grade polyester paint coating (RAL 7043)	/SRG*	Surge Protection (10kV and 20kA)

*When using additional surge protection, please note that the maximum ambient reduces to +50°C

Accessories Accessories should be ordered separately

	Order Code
Pole Mounting Bracket Assembly - stirrup mounting version only (42-64mm diameter poles)	S2400-0002
Wire Guard	S2381-0012
External reflector	S2380-0001



238D/09L/LE + S2380-0001 + S2381-0012

238D/09L/LE/S



A Hubbell brand