

MEDIMODE™

Multi-Function Recessed Patient Room Light

CAUTION! – READ THIS FIRST - IMPORTANT SAFETY INSTRUCTIONS

- Carefully read the instructions pertaining to your fixture. IF YOU HAVE ANY QUESTIONS REGARDING THE PROPER INSTALLATION OR LOCAL CODES, CONSULT A QUALIFIED ELECTRICIAN.
- To avoid shock hazard, do not work with live electrical wires.
- Install the fixture only in indoor applications.
- Do not install outdoors or in applications other than the intended use.
- Install and wire the fixture in locations in compliance with the National Electric Code and any local codes.
- Do not remove any protective films over the lens or reflectors until installation is complete. Do not energize the fixture without removing the protective films from the lens or reflectors.

WARNING: THIS PRODUCT MUST BE INSTALLED IN ACCORDANCE WITH THE APPLICABLE INSTALLATION CODE BY A PERSON FAMILIAR WITH THE CONSTRUCTIONS AND OPERATION OF THE PRODUCT AND THE HAZARDS INVOLVED.

WARNING: RISK OF FIRE, MINIMUM OF 90°C SUPPLY CONDUCTOR. CONSULT A QUALIFIED ELECTRICIAN TO ENSURE CORRECT BRANCH CIRCUIT CONDUCTOR.

WARNING: TO AVOID SHOCK HAZARD, DISCONNECT THE POWER AT THE PANEL BOARD (CIRCUIT BREAKER BOX) BEFORE BEGINNING INSTALLATION.

A. GRID INSTALLATION

The MediMode luminaire can be installed into standard suspended grid ceilings with a 1" or 1½" high grid. The weight of the luminaire is supported by the grid and supplemented with direct connection to the building structure. The steps for installation are as follows:

1. Inspect the ceiling grid to make sure it is supported from the building structure as recommended by the ceiling grid manufacturer's instructions. It may be necessary to add or remove grid sections to accommodate the fixture within the existing grid.
2. Angle the fixture up through the opening in the grid. Once through the opening, lower the luminaire so that its flanges are supported on the ceiling grid.
3. Locate the hanger support tab at each corner of the luminaire housing as shown in *Figure 1*. Use a hanger wire at all four corners to tie the luminaire to the building structure above. Use 12 gauge minimum hanger wire rated for such application. In addition, follow local building codes regarding required additional support of luminaires.
4. Proceed to section "C."

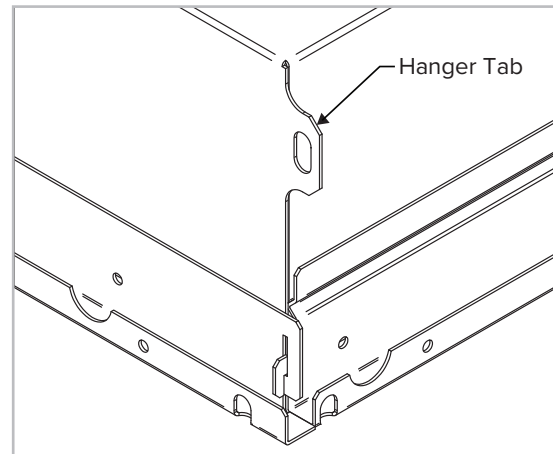


Figure 1: Hanger Tab

MEDIMODE™

Multi-Function Recessed Patient Room Light

B. FLANGE INSTALLATION

The MediMode luminaire can be installed into a solid material ceiling when the 'F' ceiling option is specified, or with the addition of the FK24H (FK22H for 2x2) flange kit accessory.

1. Make a ceiling cutout of 24-1/8" x 48-1/8" (24-1/8" x 24-1/8" for 2x2) in the desired location square and accurate within 1/16". It is recommended that the opening should be cut into whole pieces of ceiling material to minimize seams and joints intersecting the cut opening. This limits stress on taped joints and ensures a better fit of the fixture flange against the ceiling surface.
2. Install rigid framing (i.e. C-channel) around the cut opening with the vertical edge of the channel flush with the cut opening. Secure the ceiling material to the bottom surface of the frame. Support the rigid frame from the building structure.
3. Prepare mounting holes in the framing channel according to *Figure 2*.

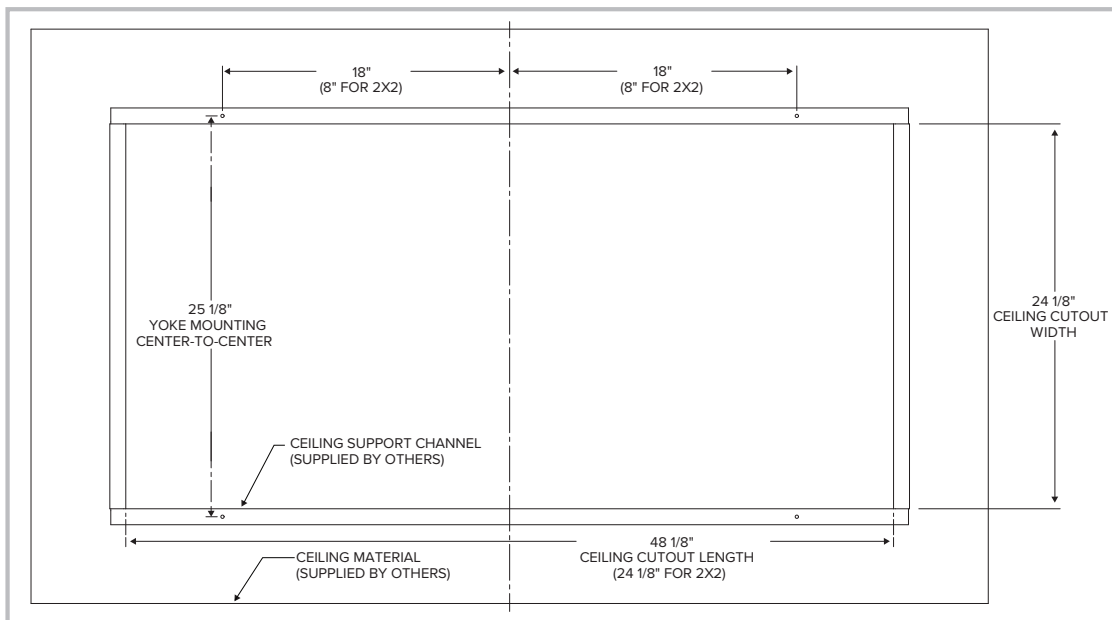


Figure 2: Recommended Ceiling Cutout and Support Channel Preparation

MEDIMODE™

Multi-Function Recessed Patient Room Light

B. FLANGE INSTALLATION

4. Thread the 1/4"-20 bolts through the Yokes from the top as shown in **Figure 3**. Tighten the 1/4"-20 nuts onto the bolts from below until snug to the yoke face.
5. Secure Yokes to framing on plenum side of ceiling opening as shown in **Figure 3**.
6. Remove (4) 3/8" diameter knockouts on the back of the housing to align with the 1/4"-20 bolts.
7. Make electrical connections as outlined below in Section C.
8. Lift fixture into ceiling opening, ensuring the (4) 1/4"-20 bolts from Step 4 pass through the (4) housing holes produced in Step 6. Install rubber washers, steel washers, and 1/4"-20 nuts as shown in **Figure 4**.
9. Tighten the (4) nuts sufficiently to draw fixture up and create full surface contact of the fixture Flange Trim to the ceiling opening.
10. CRITICAL: Ensure the nuts are fully threaded onto the bolts. Ensure the bolts protrude down from the inside surface of the fixture housing NO MORE THAN 1", or interference with reflector may occur. Make adjustments to the bolt positions as needed (see Step 4 above).
11. Proceed to Section C.

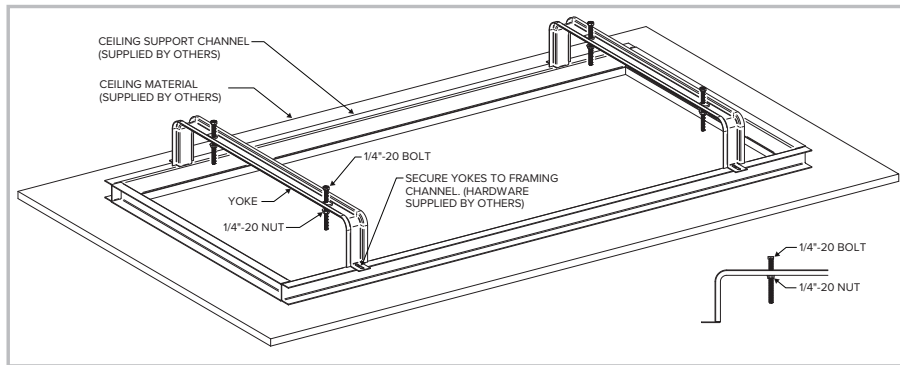


Figure 3: Yoke Mounting

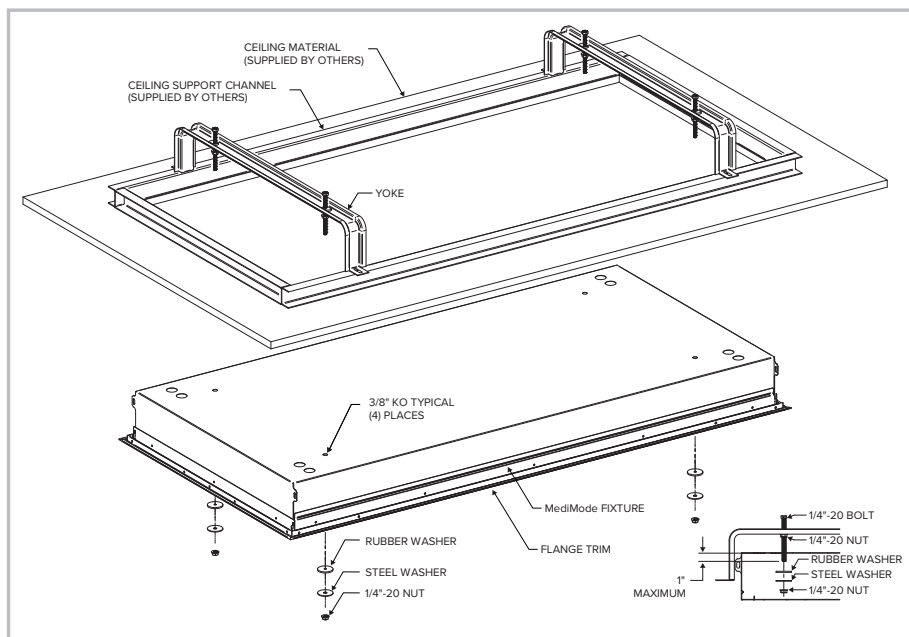


Figure 4: Fixture Installation Into Hard Ceiling Material

MEDIMODE™

Multi-Function Recessed Patient Room Light

C. MAKING ELECTRICAL CONNECTIONS

Note: The circuit should be shut-off at the breaker before beginning this step.

1. If Lensed Door is present, remove screws around door frame and let the door hang down by hinge or tethers.
2. Lower Lens/Reflector assembly by grasping along one side edge of reflector and pulling straight away from housing. Grasp assembly along opposite side edge and pull away from housing. Lens/Reflector assembly may temporarily rest on wire springs away from housing as shown in **Figure 5**.
3. Remove Lens/Reflector assembly by squeezing the legs of the wire springs together and removing the feet of the wire springs from the guide slots in the housing. CAUTION: Do not drop Lens/Reflector assembly.
4. Secure conduit or cable (supplied by others) to the back of the housing through a knockout. Note, if Lensed Door is present, a threaded hub or equivalent fitting listed for Wet Locations must be used. Locate the leads for the Ambient, Exam, LVC, and/or Night Light loads depending on product configuration, and connect accordingly.
5. If an emergency battery backup is present, follow supplementary Installation Instruction.
6. If a Low Voltage Controller (LVC) is present, secure conduit or cable (supplied by others) to the back of the housing through a knockout. Locate the low voltage control wires of the in-fixture device and terminate to corresponding wiring of the nurse call system (Supplied by others. See **Figures 6-9** in Section D for further details on LVC wiring).
7. If LVC is not present, proceed to Section E.

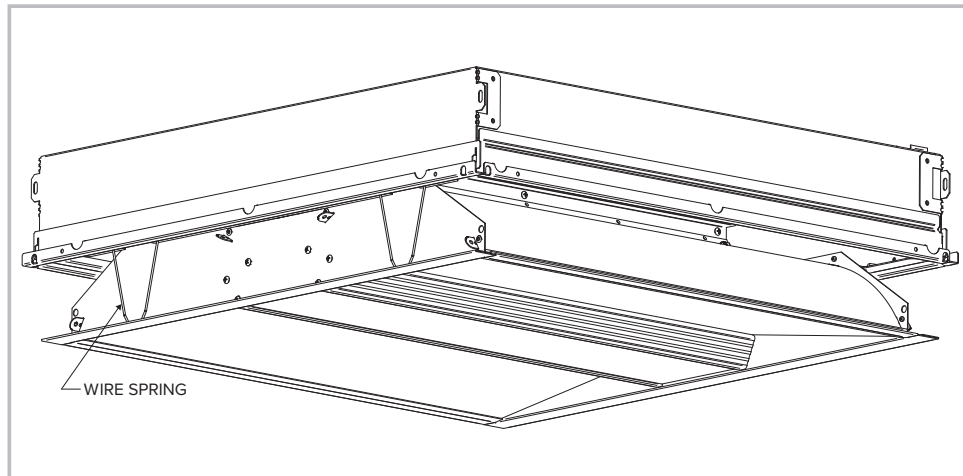


Figure 5

MEDIMODE™

Multi-Function Recessed Patient Room Light

D. LOW VOLTAGE CONTROLLER (LVC) WIRING

Locate the wiring diagram that matches the LVC option selected for the product being installed.

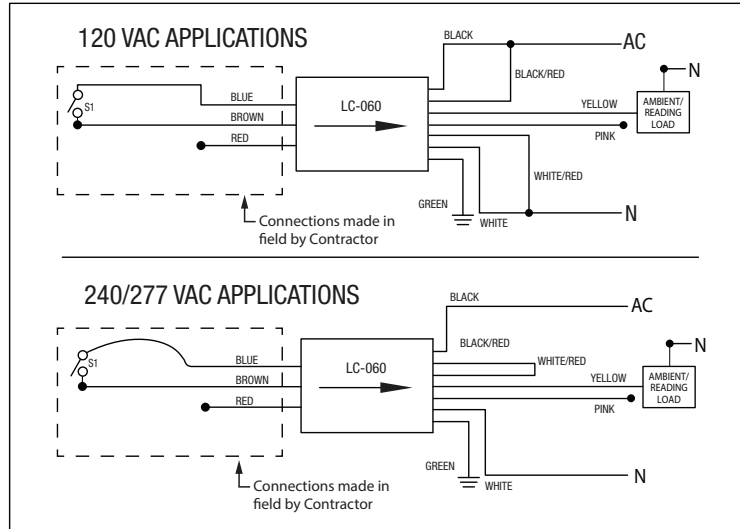


Figure 6: LVC1- Independent control of ambient/reading mode with one SPST momentary switch

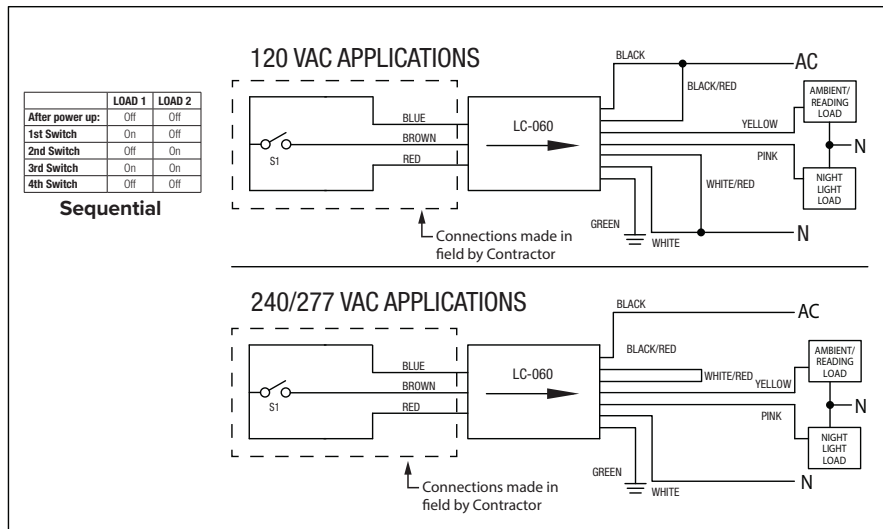


Figure 7: LVC2- Sequential control of two modes with one SPST momentary switch

MEDIMODE™

Multi-Function Recessed Patient Room Light

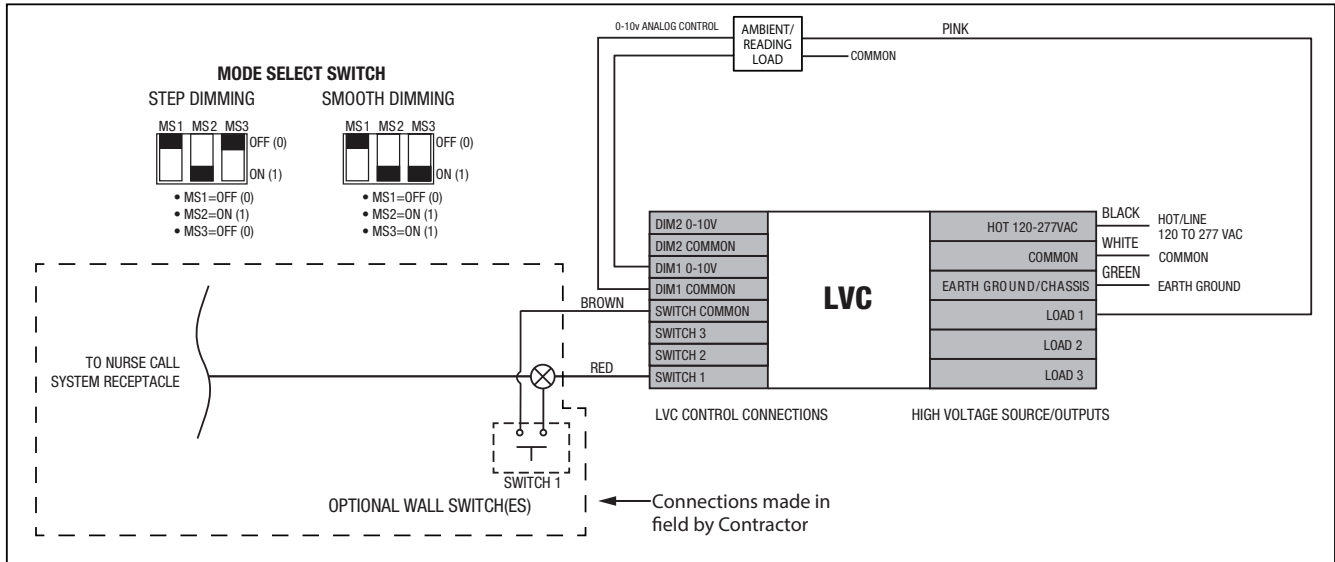


Figure 8: LVC DST1 and LVC DSM1 - Independent dimming control of ambient/reading mode

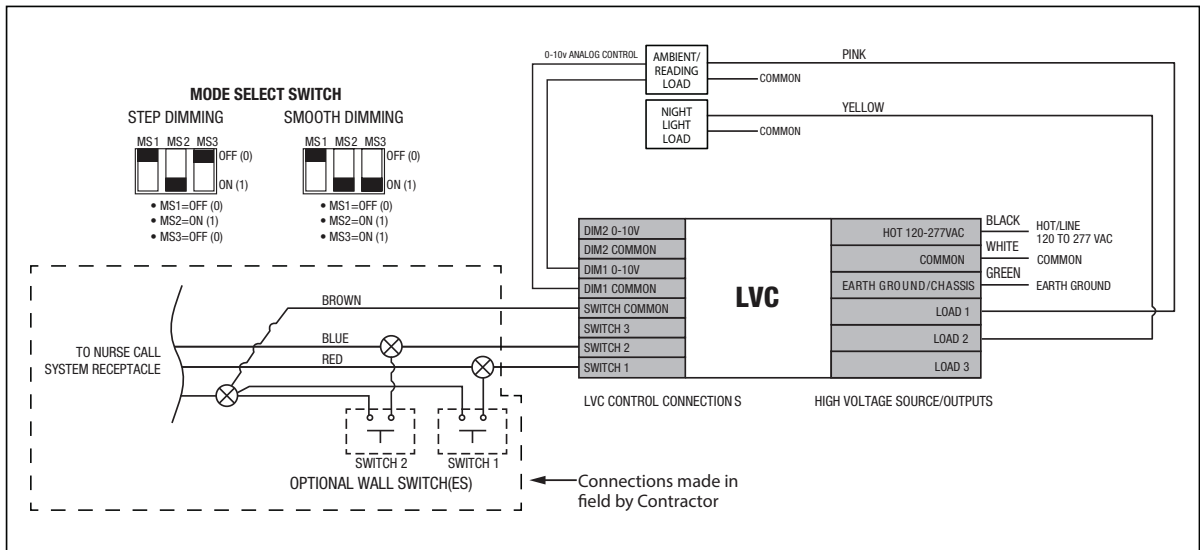


Figure 9: LVC DST2 and LVC DSM2 - Independent dimming control of ambient/reading mode and independent non-dim control of night light.

MEDIMODE™

Multi-Function Recessed Patient Room Light

E. FINAL INSTALLATION STEPS

1. Reinstall the lens/reflector assembly by squeezing the wiresprings and passing them through the guide slots in the housing. Reflector assembly may rest in the lower position temporarily if needed. See *Figure 5*.
2. Push lens/reflector assembly up into housing. For best results, push along one side edge of reflector, then push assembly along opposite side edge.
3. Reinstall Lensed Door if present. Start each screw with manual screwdriver to avoid cross-threading.
4. If present, remove film from Lensed Door.