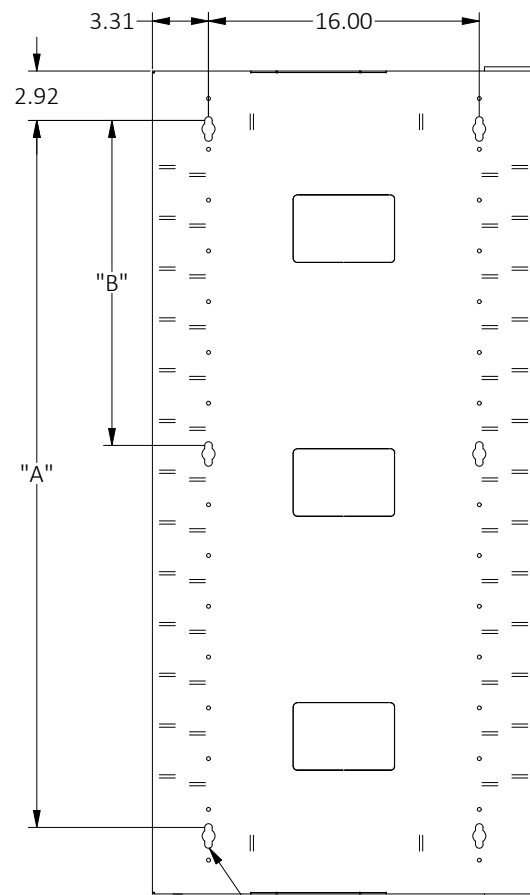


2 MOUNTING INSTRUCTIONS

DO NOT USE DRYWALL SCREWS OR TOGGLE BOLTS!



MOUNTING HOLES FOR 3/8" HARDWARE

1) MOUNTING TO A WOOD STUDDED WALL

1.1 Wall mounting instructions apply to a 2" x 4" wood stud wall with 3/4" plywood.

1.2 The wall must be flat and square in the horizontal and vertical plane to ensure the enclosure closes correctly. If the wall is not flat and square, the use of shims may be required.

1.3 Recommended hardware (not included) consists of appropriate number of 3/8" X 2 1/2" lag bolts, 3/8" X 1 1/2"OD x 1/16thk flat washers and 3/8" X 1"OD X 1/8thk flat washers. No hardware substitutions are permitted. Number of mounting holes is shown in the table below.

S.NO	CATALOG NO.	"A"	"B"	NO.OF MTG HOLES
1	HQC24xxx	17.77	N/A	4
2	HQC32xxx	29.52	N/A	4
3	HQC48xxx	41.77	19.20	6

IMPORTANT SAFETY INSTRUCTION - Please read entire instructions before assembling.

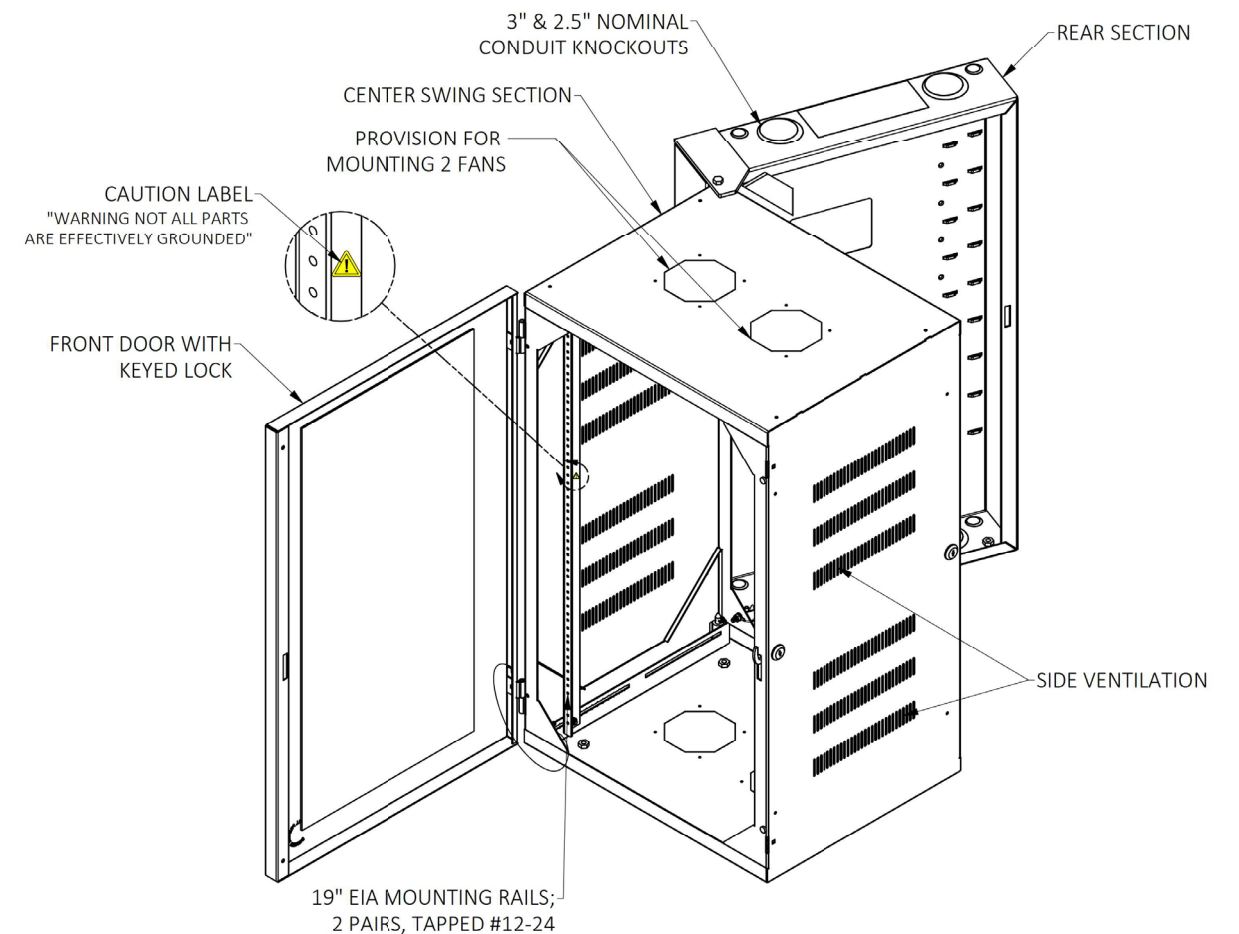
WARNING: FAILURE TO FOLLOW THESE INSTRUCTIONS COULD RESULT IN EQUIPMENT DAMAGE OR PERSONAL INJURY

WARNING: THE HQC CABINET IS ABLE TO CARRY HIGH LOADS. YOU MUST VERIFY THAT YOUR MOUNTING HARDWARE AND WALL ARE ABLE TO SUPPORT A LOAD 300LBS PLUS THE WEIGHT OF CABINET

CAUTION: NOT ALL PARTS ARE EFFECTIVELY GROUNDED (MOUNTING RAILS)

CAUTION: ONLY INSTALL EQUIPMENT AFTER THE CABINET HAS BEEN PROPERLY INSTALLED

PRODUCT NO.	RACK UNITS	HEIGHT (in.)	WIDTH (in.)	DEPTH (in.)
HQC2424	12	24	22.6	24
HQC2432	12	24	22.6	32
HQC3624	19	36	22.6	24
HQC3632	19	36	22.6	32
HQC4824	26	48	22.6	24
HQC4832	26	48	22.6	32



19" EIA MOUNTING RAILS; 2 PAIRS, TAPPED #12-24