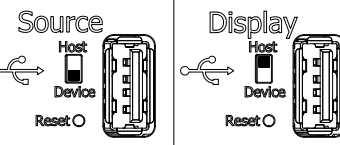


USB HOST & DEVICE SWITCH

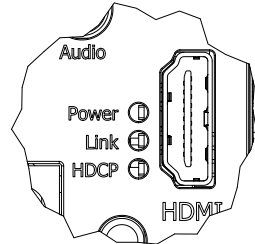
Host: Select Host when connecting USB port to a computer.

Device: Select Device when connecting USB port to a USB device: i.e. USB memory



Important:

- Each extender (Source or Display) must be set to either Host or Device, they cannot be set to the same setting.
- If the Host/Device switch is changed while extenders are powered, the extender must be reset by pressing the reset button or power cycling.



LED INDICATOR LIGHTS

Power Light: Indicates device has power when illuminated

Link Light: Indicates proper termination and compliance with TIA 568 C.2 transmission standard. Light will flash when device is in power stand by mode.

HDCP Light: Will be illuminated solid when transmitting encrypted video and will flash when non-encrypted video is transmitted.

TROUBLE SHOOTING GUIDE

No Power:

- Step 1: Verify green Power indication LED is illuminated on both devices. If blinking make sure monitor and video source are powered and HDMI cables are plugged in.
- Step 2: Check 5VDC, polarity and termination on rear of device. 4.7 VDC min needs to be supplied.
- Step 3: Verify on/off switch is "ON" at the power supply (AVPS), LED light should be green.

No Link:

- Step 1: Verify Link indication LED is green on both devices.
- Step 2: Verify proper category cable termination. (Color code, seating of the conductors and stuffer caps)
- Step 3: Verify category cable does not exceed recommended distances. (see chart)

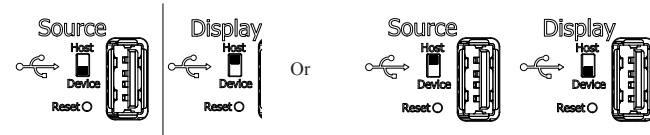
No HDCP:

- Step 1: HDCP indication LED should be green or blinking on both devices.
  - Solid green = encrypted video
  - Blinking = Non-encrypted
- Step 2: Check "source" DVD Player/Computer and "display" monitor/projector firmware have been updated. (reboot all devices after updates)

Reset Button:

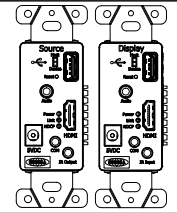
Last Step: Use end of paper clip to depress reset button on each extender.

No USB:  
Confirm switch configuration



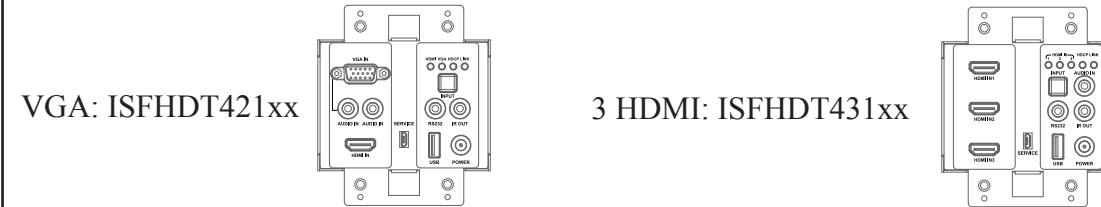
This Instruction sheet applies to the following Hubbell catalogs:  
ISFHD4BK : INCLUDES ONE SOURCE AND ONE DISPLAY EXTENDER WITH HARDWARE  
ISFHD4BK : INCLUDES ONE SOURCE EXTENDER WITH HARDWARE  
ISFHD4BK : INCLUDES ONE DISPLAY EXTENDER WITH HARDWARE

ISFHDx4xx series

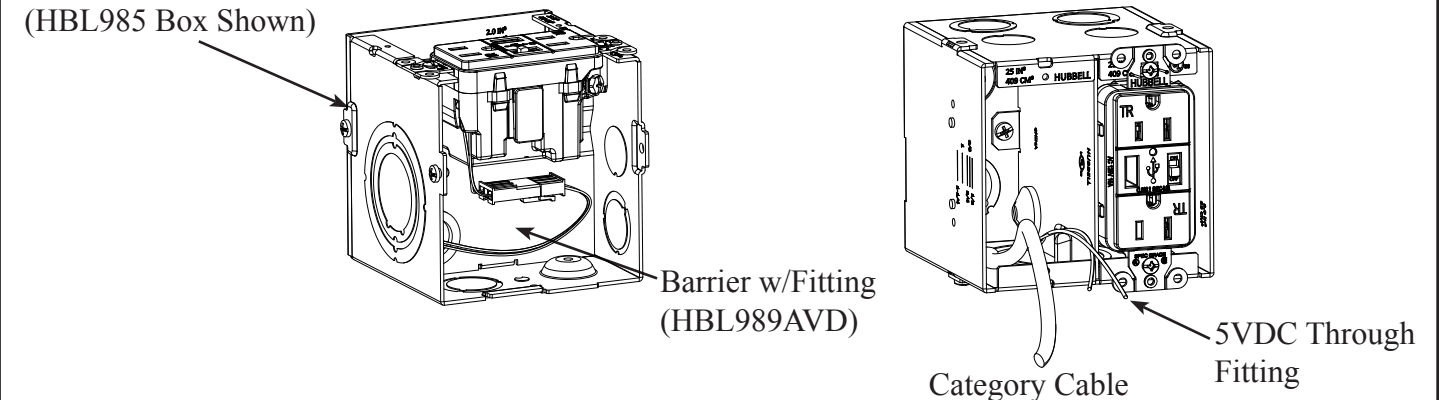


NOTE: SOURCE AND DISPLAY EXTENDERS CANNOT BE INTERCHANGED

\*Use the following Hubbell extenders not outlined in these instructions for extending VGA and up to 3 HDMI inputs.

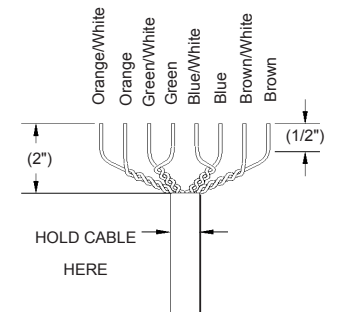
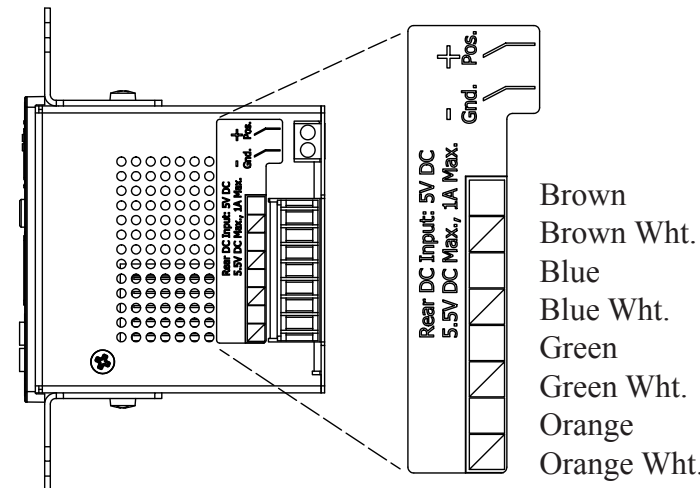


1 PREWIRE: Min Box Depth = 3.0" See Step 5 for DC & Category Cable lengths



2 AV: CAT 5E/6/6A TERMINATION:

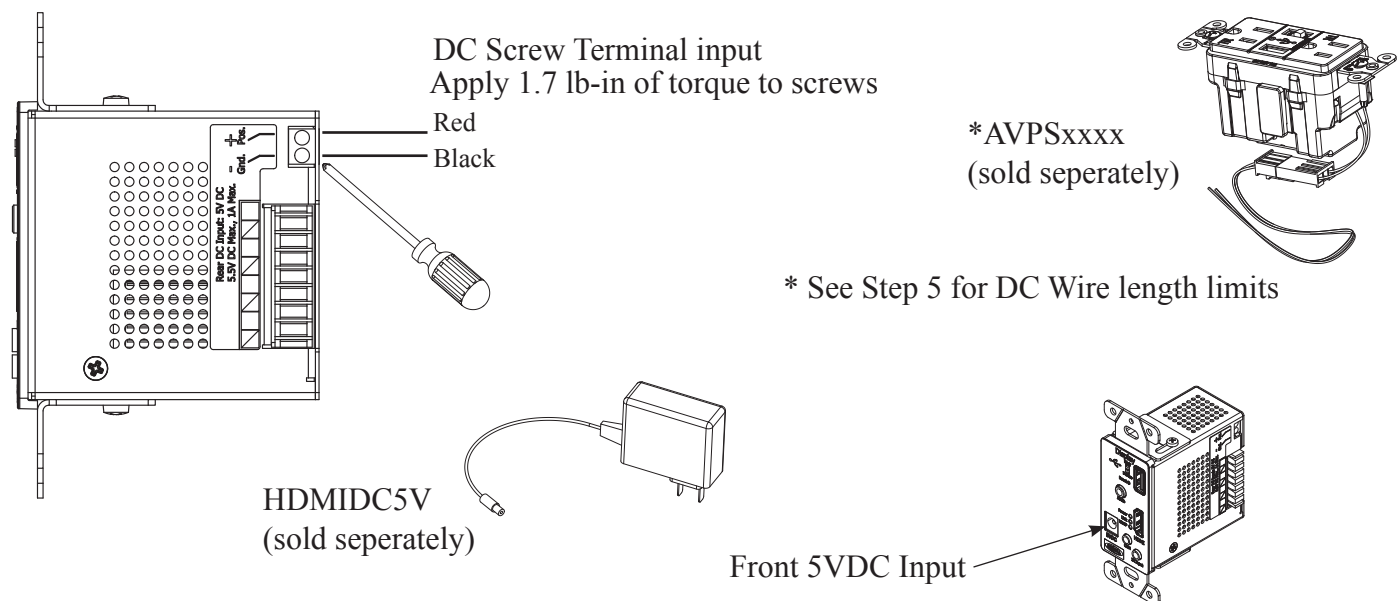
CATEGORY 6A RECOMMENDED FOR BEST PERFORMANCE.



Install Stuffer Caps after termination

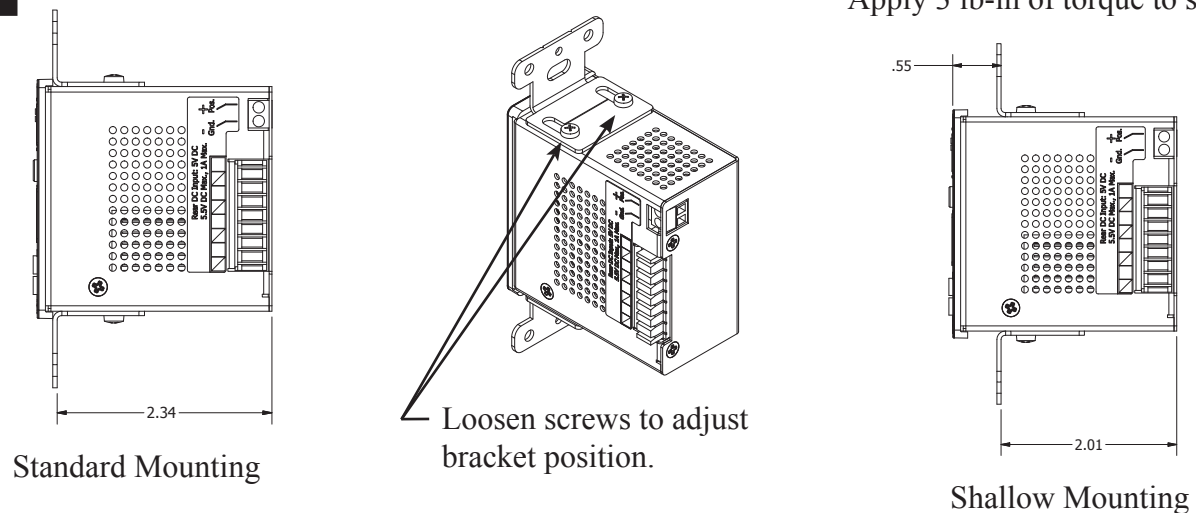
**DC INPUT:**

Maintain proper polarity; connect to a Class 2, UL Listed transformer with appropriate voltage and current rating, (5VDC min to 5.5 VDC max, 1.2A min) or Hubbell AVPS15xx or AVPS20xx.



**DEVICE MOUNTING:**

Apply 3 lb-in of torque to screws



**WIRING SPECIFICATIONS:**

Max # Bundled Cables by length that supports video up to 4K-2K, @ 60Hz

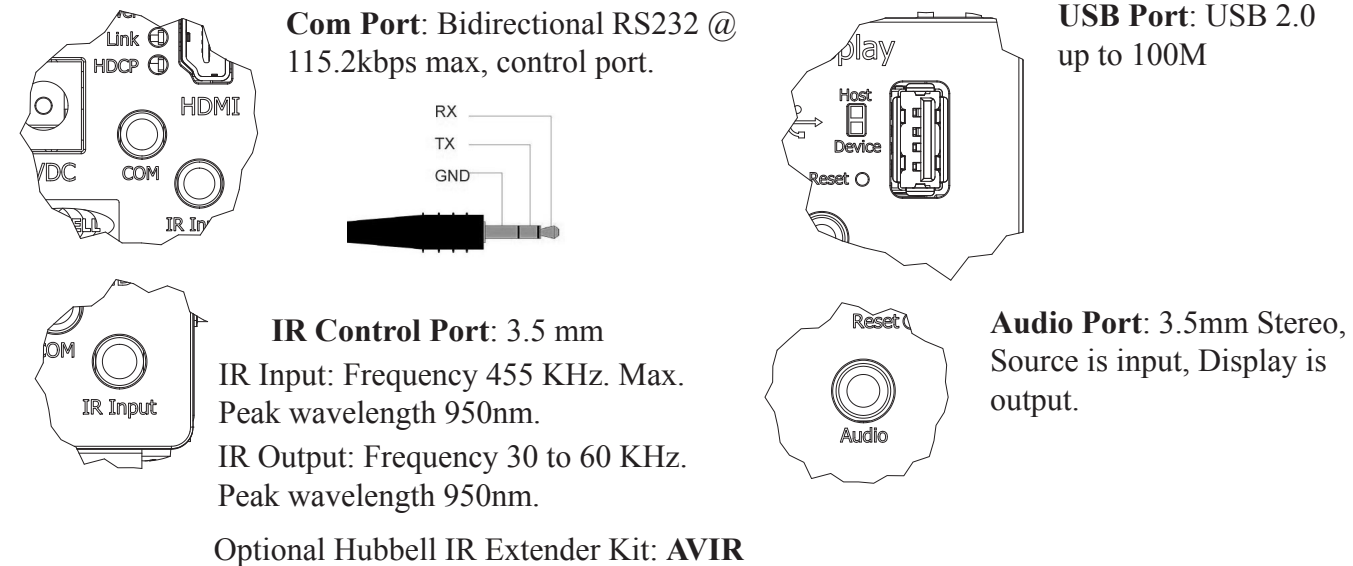
	30M	50M	70M	100M
Cat 5e	5	3	1	1*
Cat 6	No Limit	4	2	1
Cat6A/7	No Limit	No Limit	No Limit	No Limit

\*Up to 1080p, 60Hz, 36bpp.

Hubbell recommends category 6A UTP or higher cable.

UL2468 DC Hook-up Wire Length			
Gauge AWG	16	18	24
Length (Ft)	50	25	5
Length (M)	15.2	7.6	1.5

**CONNECTIONS & INSTALLATION:**



Ambient Operating Temperature: 50F (10C) to 104F (40C)

