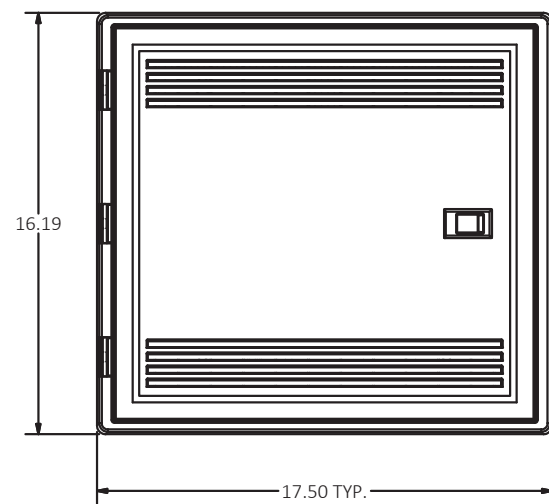
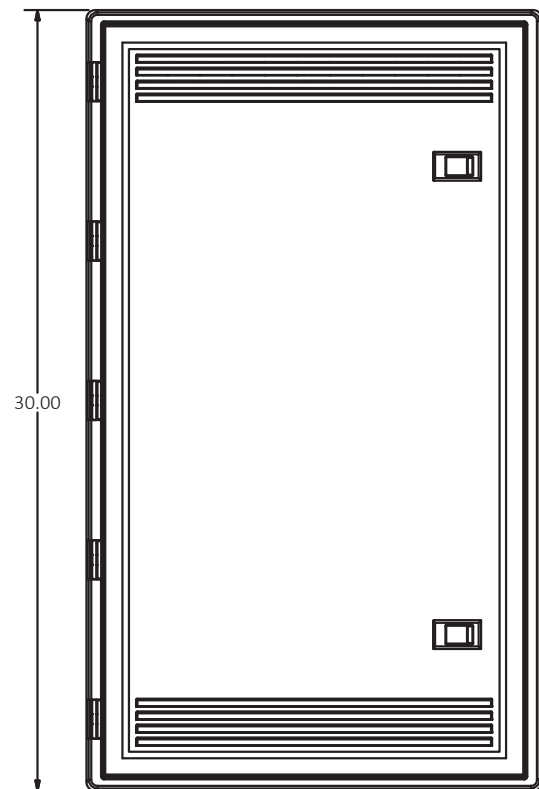


1 PRODUCT OVERVIEW:

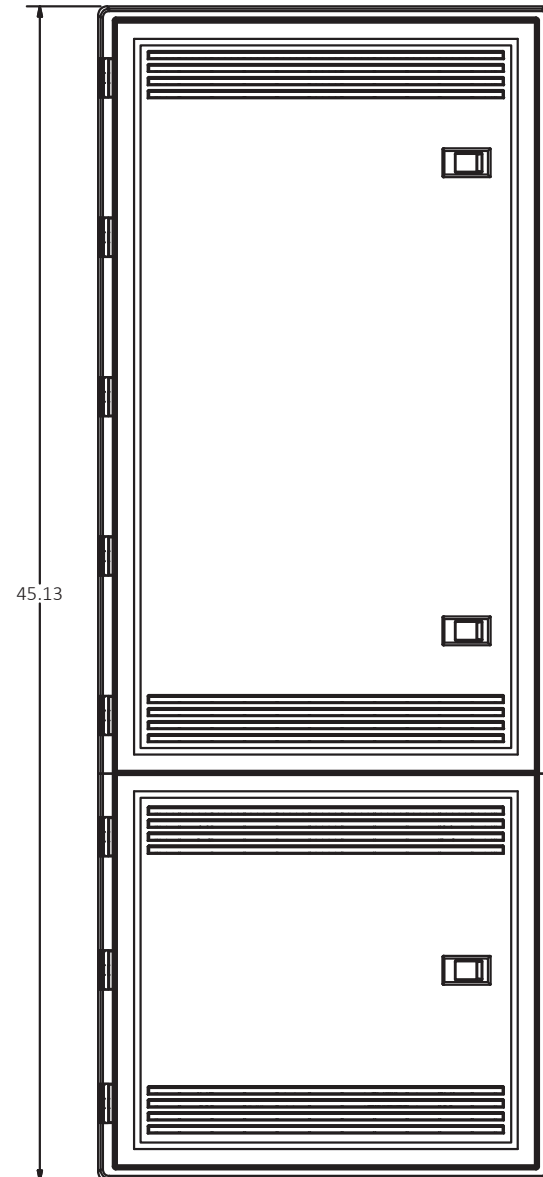
NOTE: ENCLOSURE IS TO BE INSTALLED INDOORS ONLY.
RECOMMENDED FOR USE WITH 1/2" AND 5/8" THICK DRYWALL/SHEETROCK.



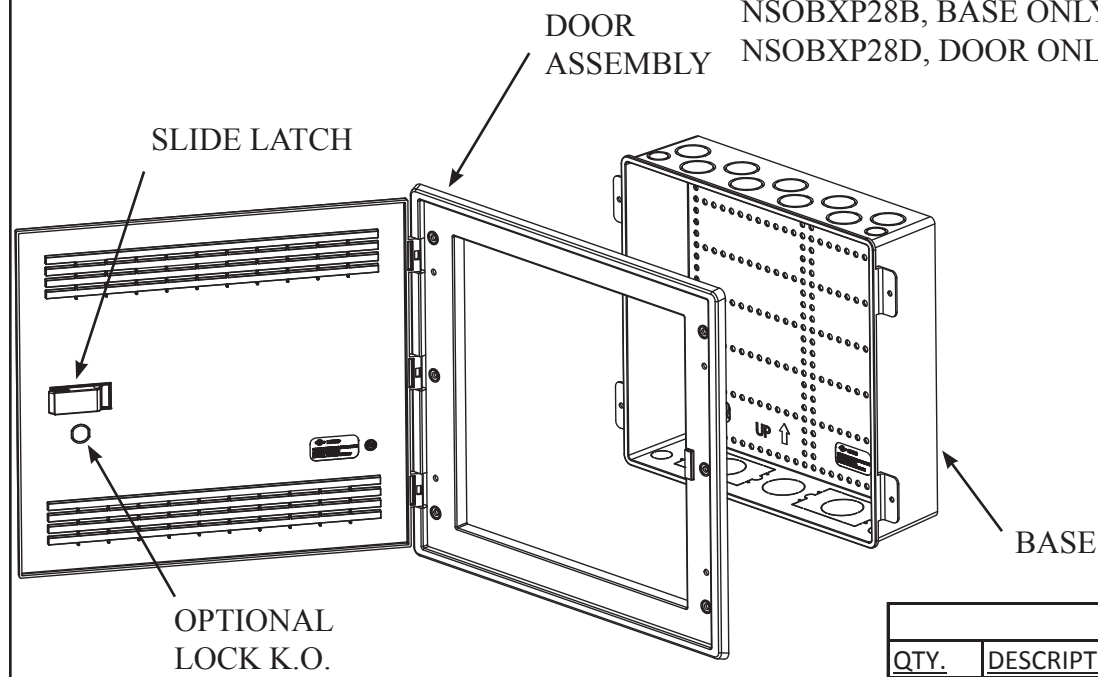
NSOBXP14, COMPLETE KIT
NSOBXP14B, BASE ONLY
NSOBXP14D, DOOR ONLY



NSOBXP28, COMPLETE KIT
NSOBXP28B, BASE ONLY
NSOBXP28D, DOOR ONLY

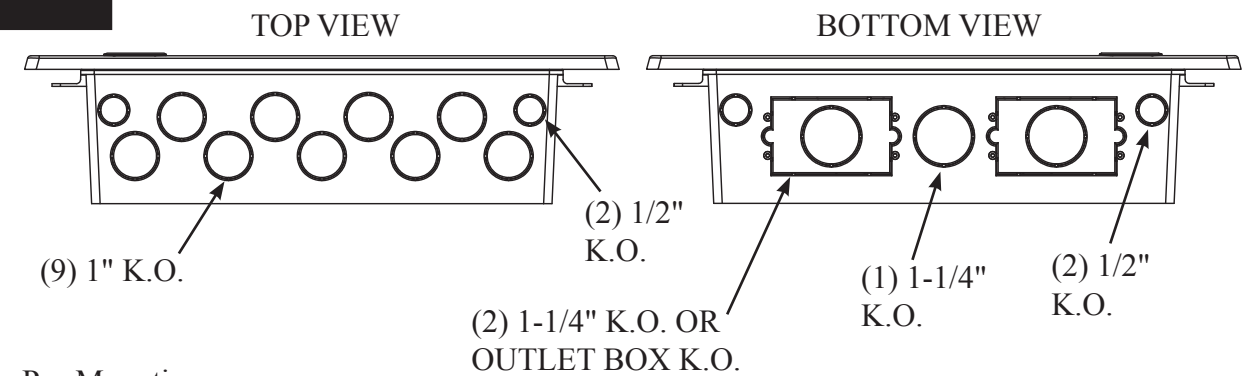


NSOBXP42, COMPLETE KIT
NSOBXP42B, BASE ONLY
NSOBXP42D, DOOR ONLY



INCLUDED ITEMS				
QTY.	DESCRIPTION	COMPLETE KIT	BASE ONLY	DOOR ONLY
1	BASE	X	X	
1	DOOR ASSEMBLY	X		X
8	WOOD SCREWS	X	X	X
4	PUSH FASTENER	X	X	

2 CONDUIT & POWER PROVISIONS:



Pre-Mounting:

- Remove required knockouts by cutting the tabs before mounting the enclosure.
- If power is required, assemble up to 2 NSOKP(S) AC power outlets in the bottom of the enclosure. NOTICE: FOR INSTALLATION BY QUALIFIED ELECTRICIAN IN ACCORDANCE WITH NATIONAL AND LOCAL ELECTRICAL CODE.
- If a lock is required, use a razor knife to score and remove the lock K.O. on door and assemble a FLOCK1 kit (sold separately).

3 BASE INSTALLATION:

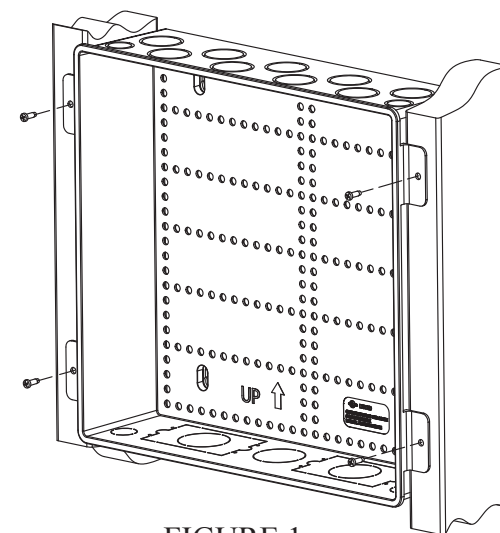


FIGURE 1

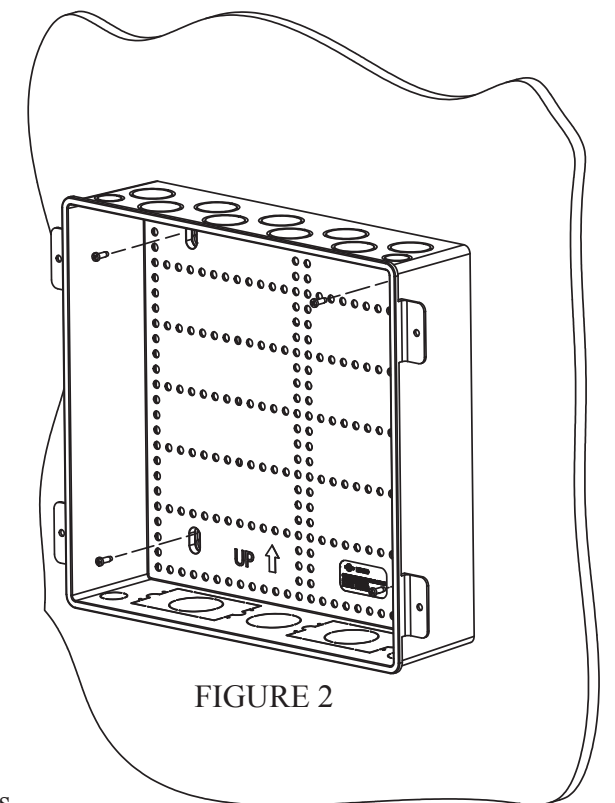


FIGURE 2

Flush Mounting:

1. Position the base housing between the studs.
2. Use a level to properly align the base in the wall.
3. Secure the base housing to the studs with the included wood screws as shown in Figure 1.

Surface Mounting to Plywood Backboard:

1. Position the base housing as desired on the backboard.
2. Use a level to properly align the base.
3. Secure the base housing to the plywood with the included wood screws as shown in Figure 2.

4 PAINT SHIELD:

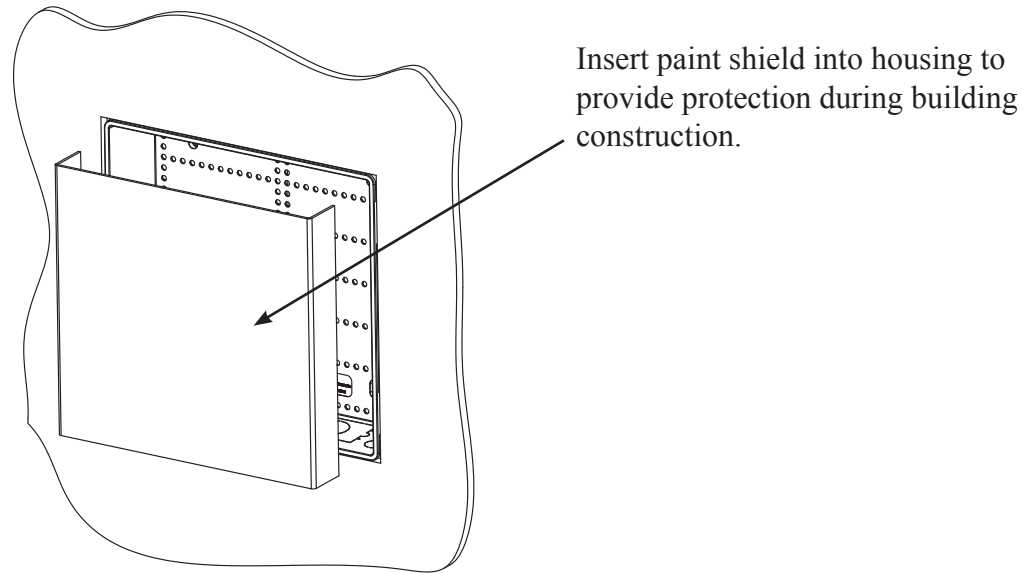
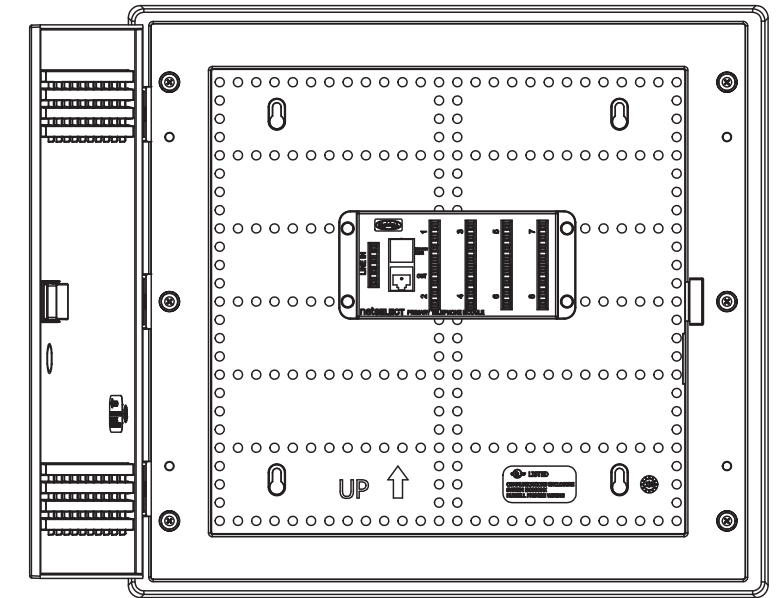
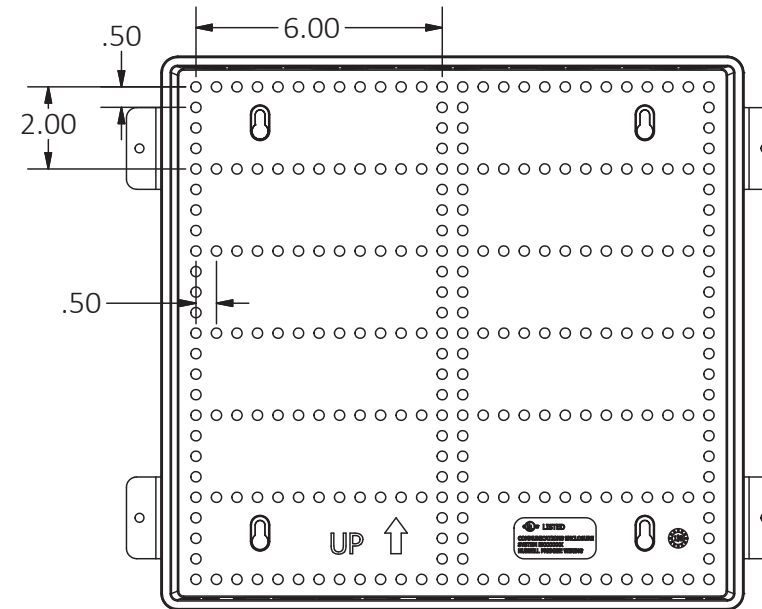


FIGURE 3

6 MODULE MOUNTING:



5 DOOR ASSEMBLY INSTALLATION:

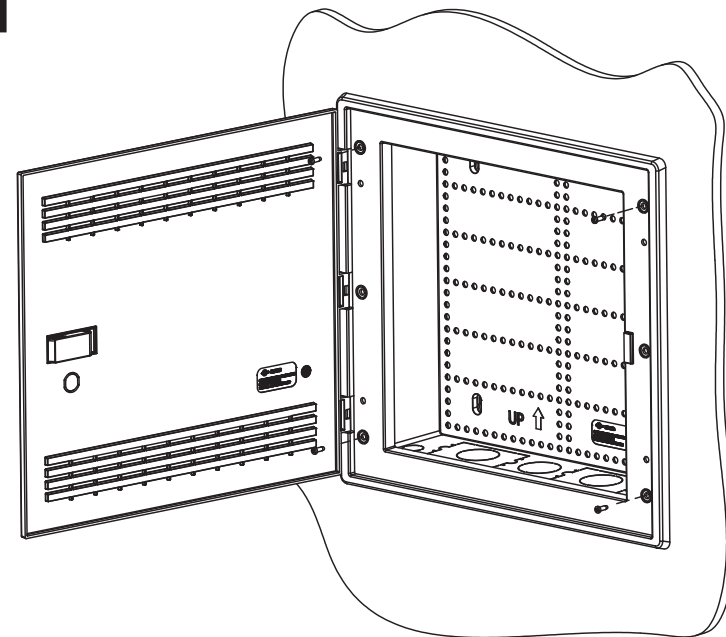


FIGURE 4

Flush Mounting:

1. Center door assembly into the base housing and flush to the wall.
2. Use a level to properly align the door assembly.
3. Secure the door assembly to the studs with the included wood screws as shown in Figure 4.

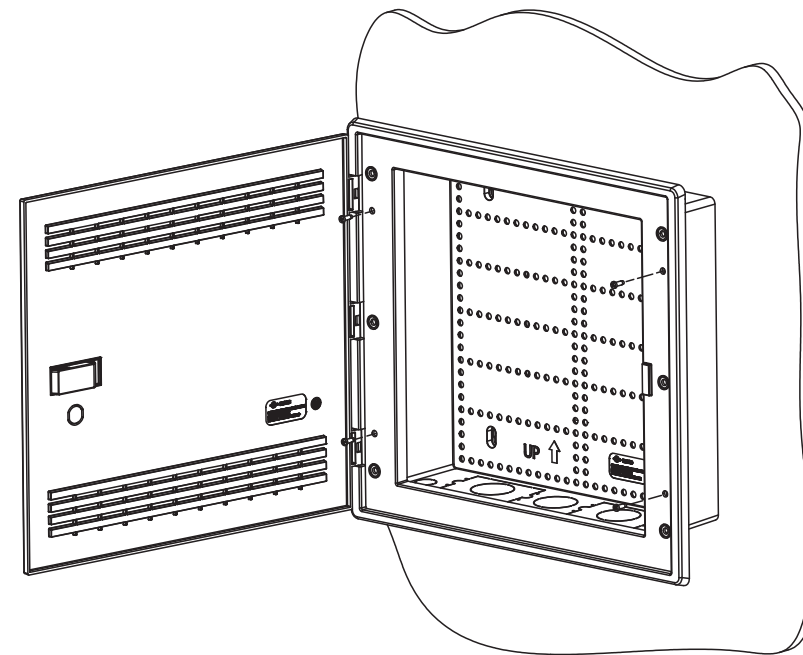
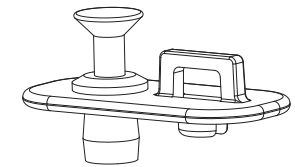


FIGURE 5

Surface Mounting:

1. Center door assembly onto the base housing.
2. Use #10 machine screws, nuts and washers (Not Included) to secure door assembly to base housing flanges.



NSOBXCLIP

1. Arrange and mount modules as required. See individual module instruction sheets for additional details.

NOTE: NSOBM blank module is available to mount common active networking components or 66 blocks (i.e. HPW66B36 or HPW66B16).

2. Make all terminations. Refer to individual module instructions for details.
3. When dressing cable use appropriate tie-wraps/Velcro
4. Additional pushpins are supplied for use as needed.

It is recommended to leave the extra pins in their bag at the bottom of the enclosure for future needs.

5. Wire tie clips NSOBXCLIP (not included) are available to aid in dressing cabling inside the enclosure.



Hubbell Incorporated
(Delaware)
Shelton, CT 06484
(800) 288-6000