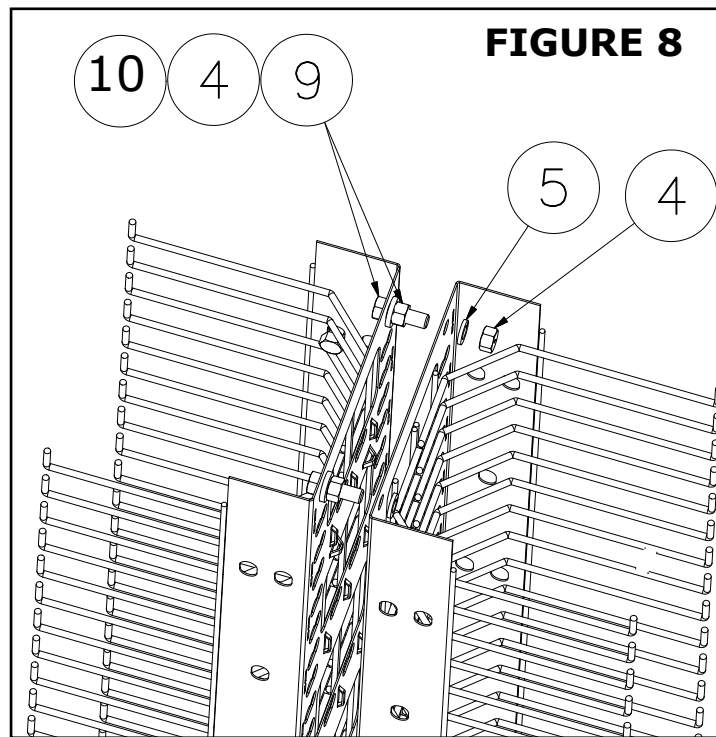


Rear cage option shown.



Back to back cable managers' option shown.

STEP 1

Assemble bolt, flat washer & nut (10,4,9) to one organizer as shown - 2 on top & 2 on the bottom (see figure 8).

STEP 2

Assemble second vertical channel to the first with lock washer & nut as shown (see figure 8).

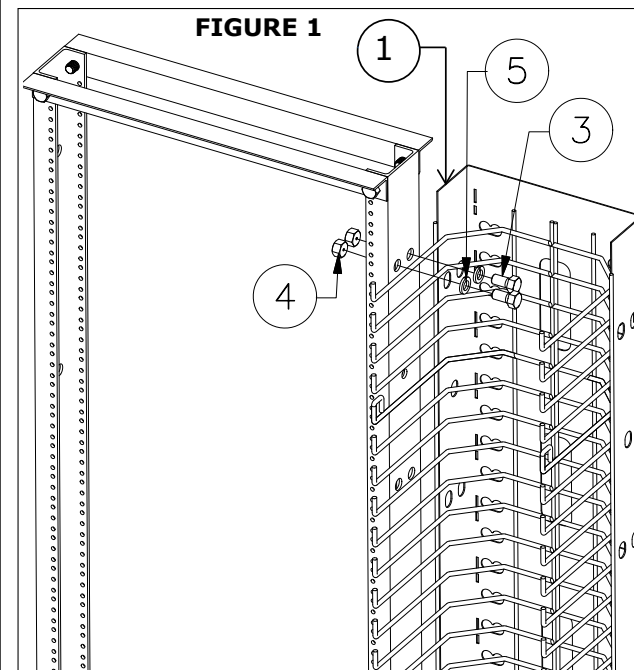
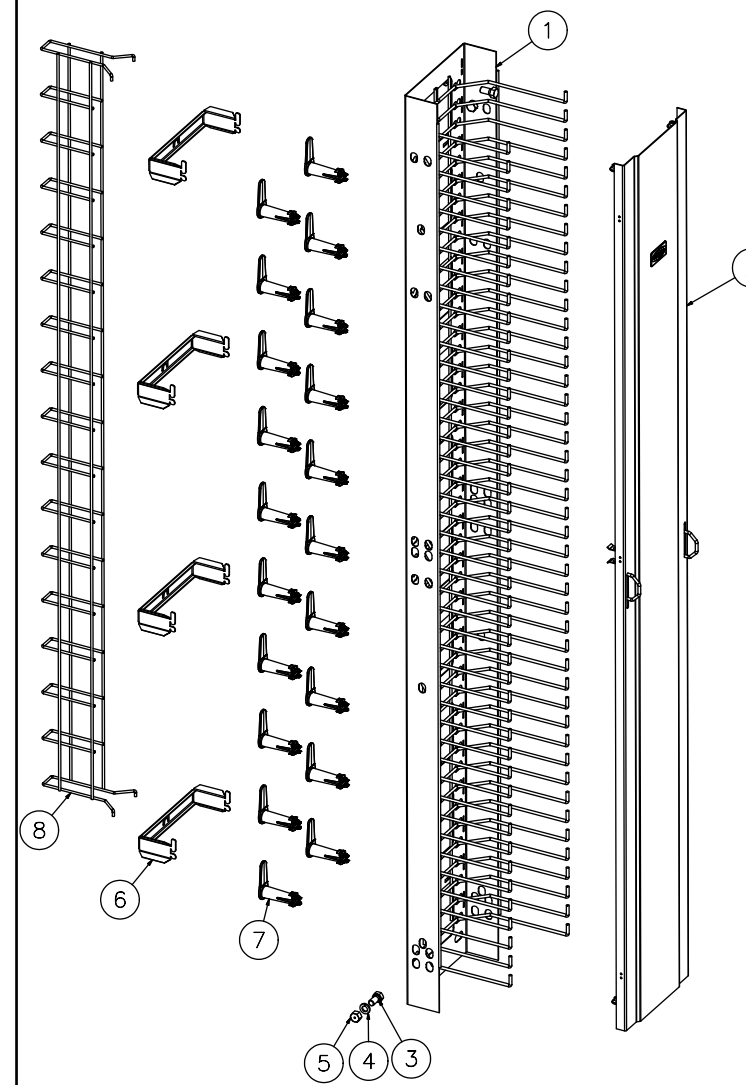
STEP 3

Assemble the 2 vertical channel assembly to the one set of mounting holes on the relay rack (see figure 1).



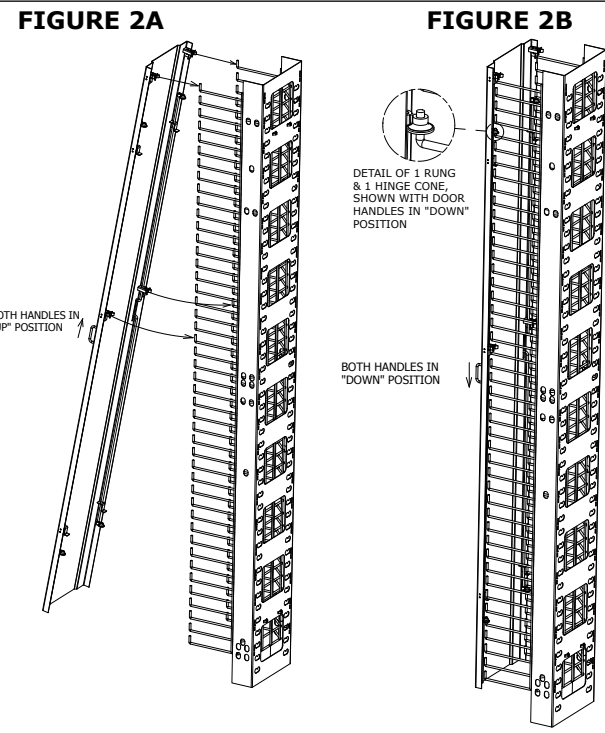
ITEM	DESCRIPTION	FRONT VERTICAL MANAGER	FRONT VERTICAL MANAGER WITH GATES AND SPOOLS	FRONT VERTICAL MANAGER WITH REAR CAGE	FRONT AND REAR CABLE MANAGER
		VMx10	VMx13	VMx18	VMx20
		QTY	QTY	QTY	QTY
1	CABLE MANAGER	1	1	1	2
2	DOOR	1	1	1	2
3	1/2-13 X 1.00 HEX HEAD BOLT	4	4	4	8
4	1/2-13 HEX NUT	8	8	16	16
5	1/2" LOCK WASHER	4	4	4	8
6	CABLE MANAGEMENT GATE	N/A	4	N/A	N/A
7	CABLE MANAGEMENT SPOOL	N/A	20	N/A	N/A
8	REAR CAGE	N/A	N/A	1	N/A
9	1/2" FLAT WASHER	4	4	4	8
10	1/2-13 X 1.50 BOLT	4	4	4	8

1 MOUNTING ORGANIZER TO RELAY RACK



- 1) Place Cable Organizer (Item 1) next to Relay Rack (sold separately).
- 2) Align the holes on the side of the organizer with the holes on the rack.
- 3) Secure in place using 1/2" bolt, nut, and lock washer (Items 5,3,4 in Figure 1).

2 ATTACHING AND OPERATING THE DOOR.



With both door handles in the "up" position, align the 4 clips, that are on the door (top and middle), with the rungs on the organizer as shown (Fig. 2A) and press.

With the door handles still in the "up" position, slide the 4 white plastic hinge cones that are attached to the door (1 pair is just below the 2 top clips and the other pair is near the bottom of the door), onto rungs while sliding the door handles down. (Fig. 2B).

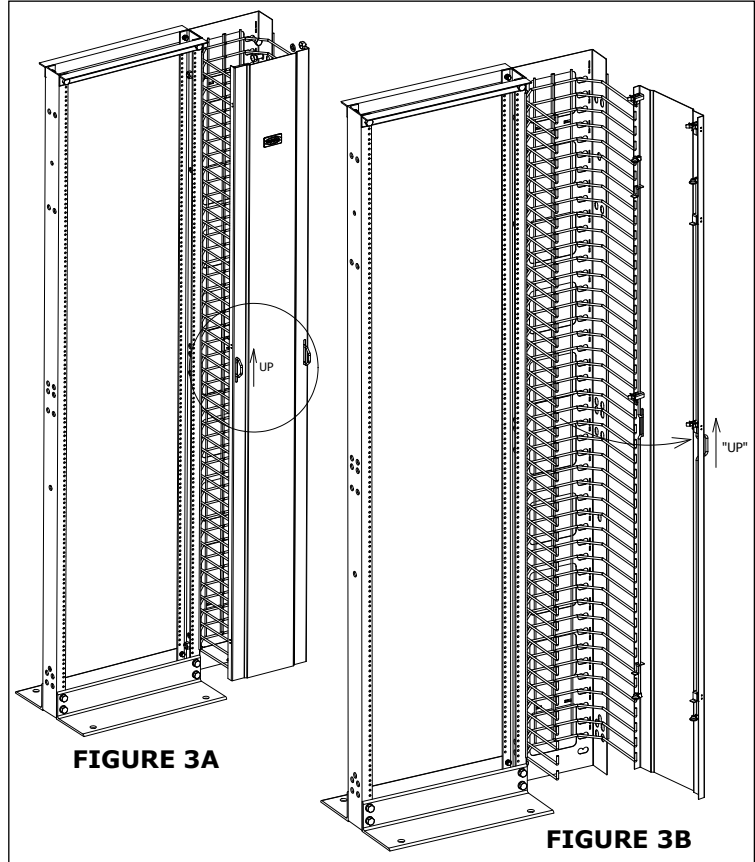


FIGURE 3A

FIGURE 3B

TO OPEN: Lift up on either handle and swing out.
TO CLOSE: Lift up on either handle and swing close, then release handle into "down" position.

3 GATE INSTALLATION (IF APPLICABLE)

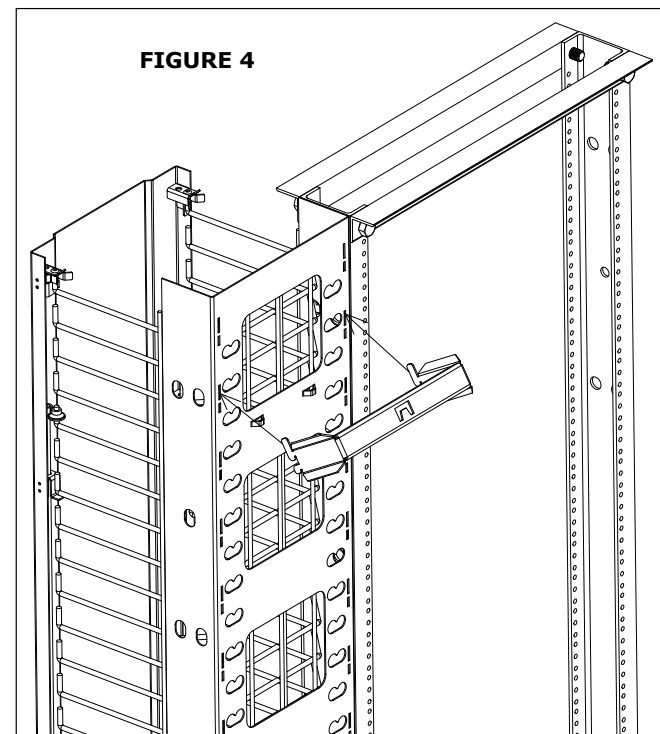


FIGURE 4

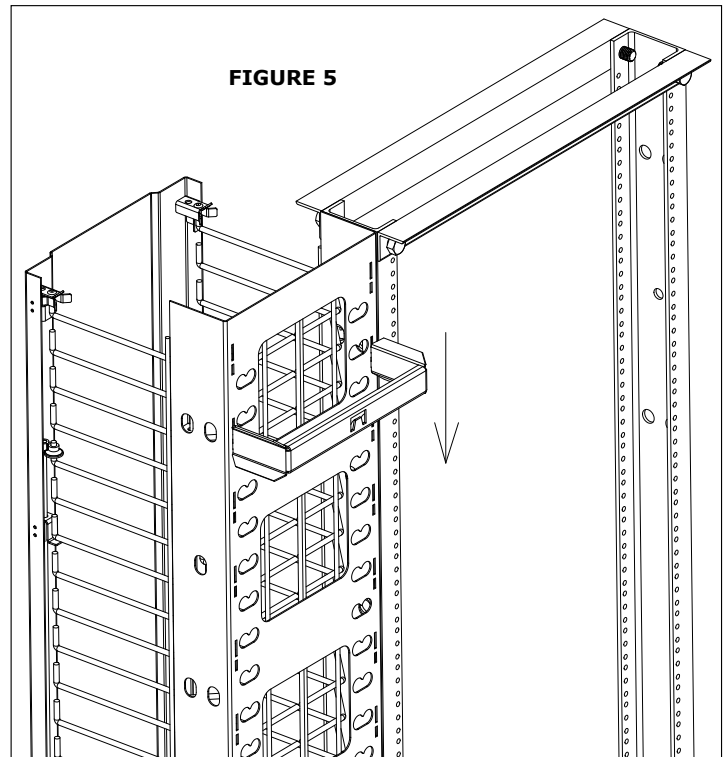


FIGURE 5

4 ATTACHING THE CABLE MANAGEMENT SPOOLS

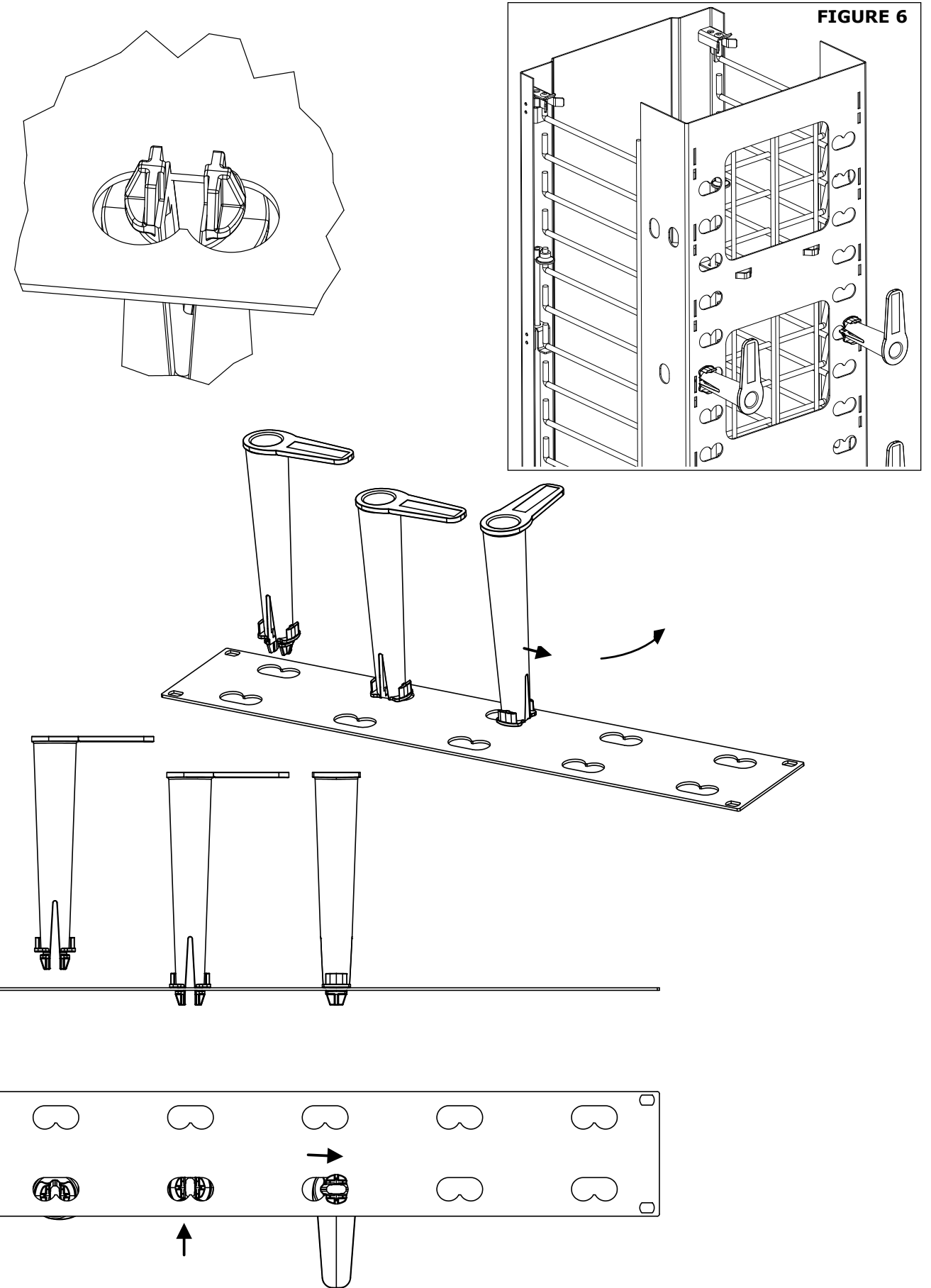


FIGURE 6