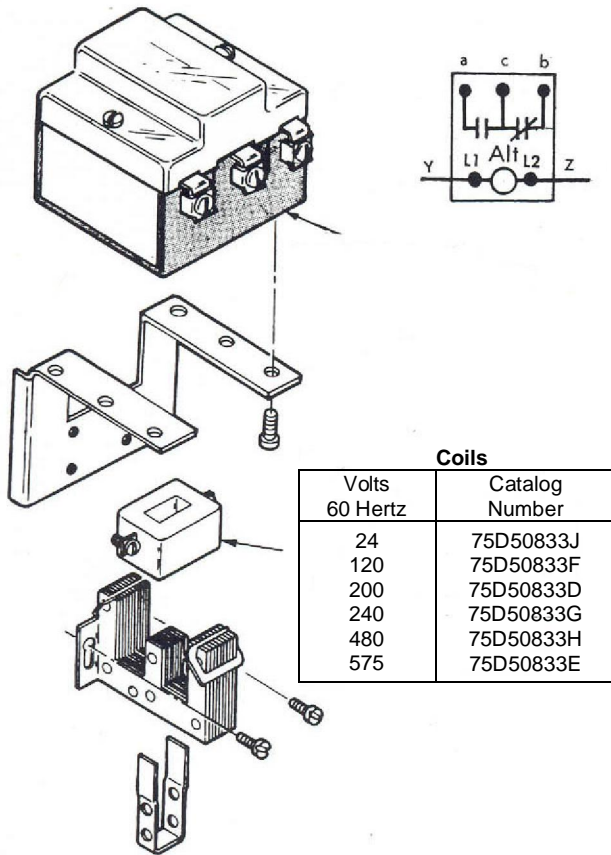


Alternating Relay

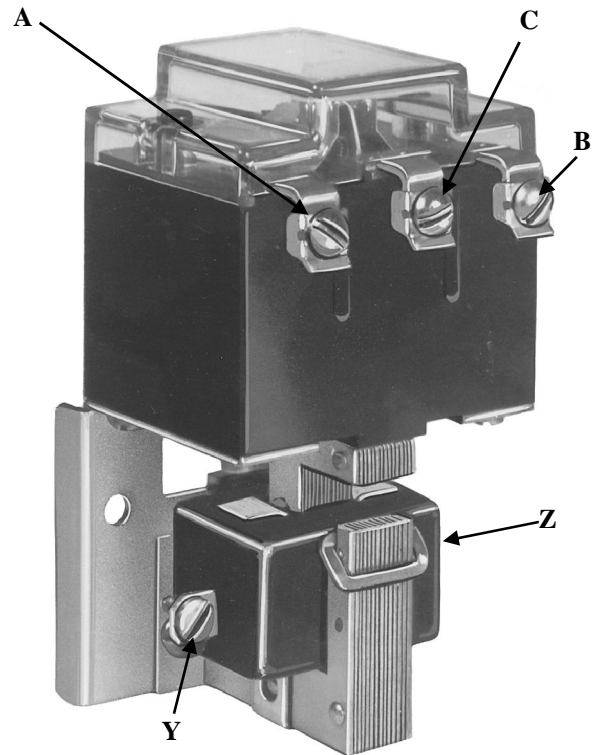


Coils	
Volts 60 Hertz	Catalog Number
24	75D50833J
120	75D50833F
200	75D50833D
240	75D50833G
480	75D50833H
575	75D50833E

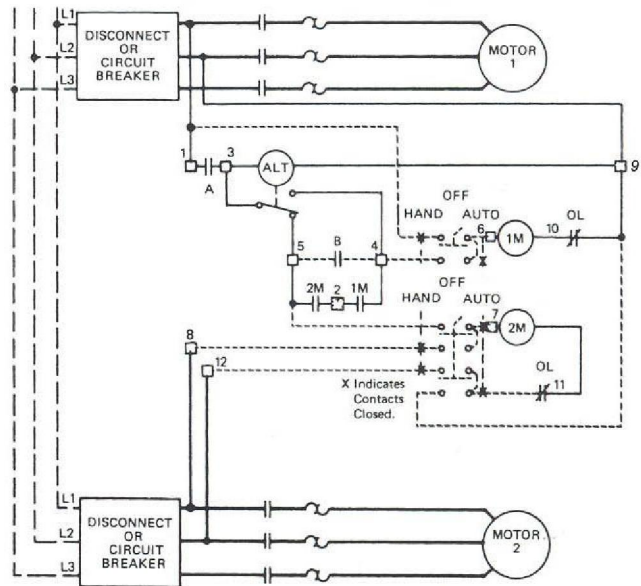
The alternator has single pole double throw heavy duty contacts enclosed in a transparent dust cover. The snap action **contacts transfer when the coil is de-energized**.

Wiring

1. Alternator may be mounted in any position
2. Wire alternator using a diagram to the one shown. Pilot control switch A (float switch) is set to close before switch B.



TYPICAL DUPLEX PUMP SCHEMATIC



NOTE: A & B are separate external pilot devices such as pressure switches or float switches. □ Terminals for pilot devices

(For Engineering Reference Only - Rev. C)



Hubbell Industrial Controls, Inc.

4301 Cheyenne Dr., Archdale, NC. 27263
 Phone (336) 434-2800 • FAX (336) 434-2803
 www.hubbell-icd.com
 Sales@hubbell-icd.com