

# INSTRUCTION SHEET

## S245 AUDIO 'SAFE' HAILER ELECTRONIC MEGAPHONE



U.L. Listed No. 808X

U.L. Listed for Use in Hazardous Locations: Class 1, Group D, Division 2

**Controls:** Two controls are provided; a black volume control knob under the microphone, and a press-to-talk trigger in the pistol-grip handle.

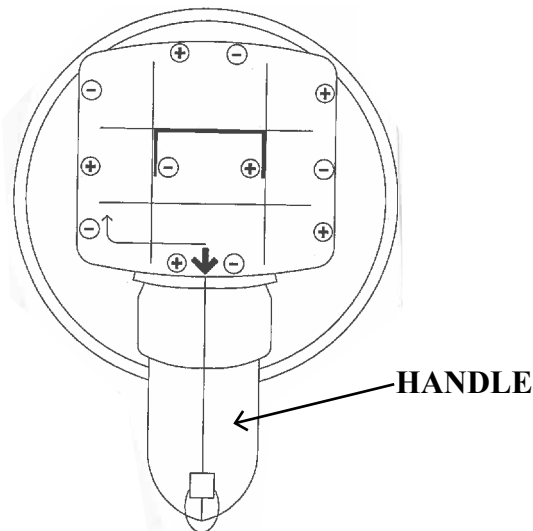
**Operation:** Hold the megaphone with the microphone as close to the mouth as possible. Squeeze the trigger to operate. Increase or decrease the volume as necessary by rotating the black volume control knob to prevent acoustic feedback. It is advisable to talk-test by counting while adjusting the volume control to the highest level possible without feedback. The proper volume level will vary according to location. A lower volume setting is necessary in an area with reflecting surfaces, such as a room. A higher setting for greater volume can be used in large open facilities or outdoors.

Release the trigger as soon as satisfactory adjustment is made, and operate it only when a message is transmitted. This practice will provide maximum life from the "C" cell alkaline batteries.

To deliver a message, direct the horn toward the listener. Place the microphone as close to the mouth as possible, press the trigger and speak in a loud, clear voice, slowly and with pauses, so that words do not run together. This is particularly important in areas which echo or are reverberant.

**Maintenance and Battery Installation:** Ordinarily no maintenance is required except to replace batteries. The batteries last relatively long periods - up to a year, depending on frequency of use. When voice output becomes noticeably weaker, it is probably time to put in new "C" batteries. This is easily done by opening the two spring fasteners on both sides of the main housing and lifting off the back cover. After removing the cells, check the contact area of the battery springs to be sure they are clean. Put in new cells following the legend printed on the cover battery contact board so that correct polarities are observed. Replace the cover and check the operation to be sure all cells have been installed with correct polarity, or to be sure there is no defective cell in the batch.

### BATTERY REPLACEMENT



THE BATTERY LEGEND IS PRINTED INSIDE THE BATTERY COMPARTMENT.

⊕ MEANS THE BATTERY IS INSERTED WITH THE POSITIVE (+) TERMINAL ON THE TOP (↑).

⊖ MEANS THE BATTERY IS INSERTED WITH THE NEGATIVE (-) TERMINAL ON THE TOP (↑).

**CAUTION: REMOVE BATTERIES WHEN EQUIPMENT IS STORED FOR LONG PERIODS OF TIME.**



Hubbell Industrial Controls, Inc.  
4301 Cheyenne Dr., Archdale, NC 27263  
336.434.2800  
www.hubbell-icd.com

