

Installation & Operating Instructions

25/28kV 200 Amp Feed-thru Inserts

DESCRIPTION

The HUBBELL Feed-thru Insert is used to convert a radial transformer to a loop-feed or to add an additional operating interface for the installation of an elbow arrester. The Feed-thru Insert is designed for use with any apparatus having a 200 Amp bushing well that conforms to IEEE Std. 386. The two loadbreak interfaces, when mated with appropriate products, provide a fully shielded, submersible, separable insulated connector designed for energized operation.

The Feed-thru Inserts meet all requirements of IEEE Std. 386.”

- 200 Amp, 25kV Class: 16.2kV and 16.2/28kV

CONTENT OF PACKAGE

Feed-thru Insert
Bail Assembly
Lubricant (DO NOT SUBSTITUTE)
Instruction Sheets

INSTALLATION TOOLS

Insulating Hotstick
Hand Tools

NOTES

Check contents of box to ensure that it is complete and components are NOT damaged



Important: Read these instructions thoroughly before operating the system. Be sure that the connectors are rated for the intended energized use. (See Hubbell catalogs C2) for selecting the correct mating product.) Visually inspect parts for damage before using.

CAUTION

The equipment covered by these instructions should be installed, operated and serviced only by competent personnel trained in good safety practices. This instruction is written for such personnel and is not intended as a substitute for adequate training and experience in safe procedures for this type of equipment.

DANGER

All apparatus must be de-energized during installation or removal of parts. Do not touch or move energized product by hand. Failure to follow this instruction may result in serious or fatal injury, as well as damage to the product.

DANGER

Remove all protective shipping caps and replace with an approved insulating cap or connector prior to the junction being submersed or the circuit energized. The protective shipping caps are intended to keep the interfaces clean during shipping and handling and should never be used on energized equipment.

These instructions do not purport to cover all details or variations in equipment nor to provide for every possible contingency to be met in connection with installation, operation or maintenance. Should further information be desired or should particular problems arise which are not covered sufficiently for the purchaser's purposes, the matter should be referred to Hubbell Power Systems, Inc.

Installation

Step 1 – Clean & Lubricate

Remove the protective caps from the apparatus bushing well and the feed-thru insert. Clean and inspect the bushing well to ensure it is free of contaminants. Lubricate the bushing well and mating interface of the feed-thru insert with supplied lubricant or approved equal. **DO NOT SUBSTITUTE** as other lubricants may be harmful. (See Figure 1)

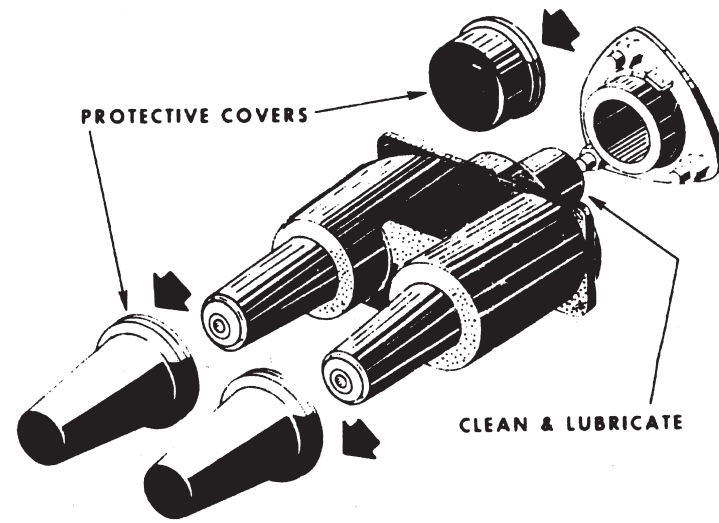


Figure 1

Step 2 – Install Feed-thru Insert

Position the threaded end of the feed-thru insert in the apparatus bushing well and hand tighten in a clock-wise direction until fully seated; achieving a final torque of approximately 15 ft-lbs. An internal ratchet mechanism will allow the part to be rotated until desired alignment is achieved. (See Figure 2)

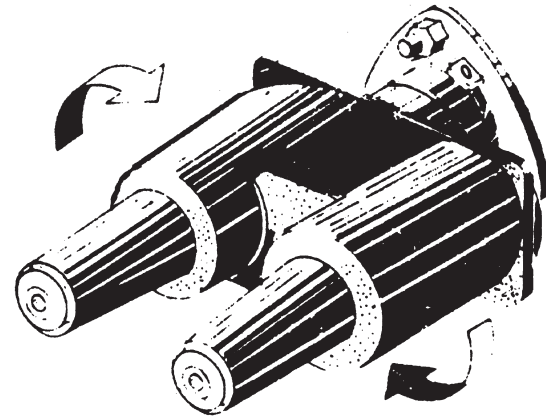


Figure 2

Step 3 – Install Hold-down Bail

Position hold-down bail plate over the center of the feed-thru insert and select a set of holes that line up with the bail tabs on the bushing well or apparatus. Assemble the “J” hook bolts and secure with supplied wing nuts. Tighten until snug. (See Figure 3)

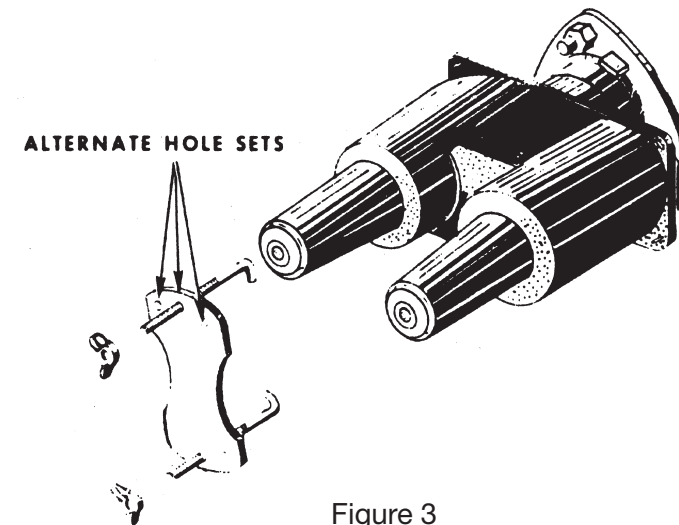


Figure 3

Step 4 – Ground Feed-thru Insert

Attach a #14 AWG copper wire (or equivalent) to one of the grounding tabs on the feed-thru insert. Twist the wire at least two turns at the grounding tab, squeeze the loop to secure, and cut off excess. Attach the free end to the system ground. (See Figure 4)

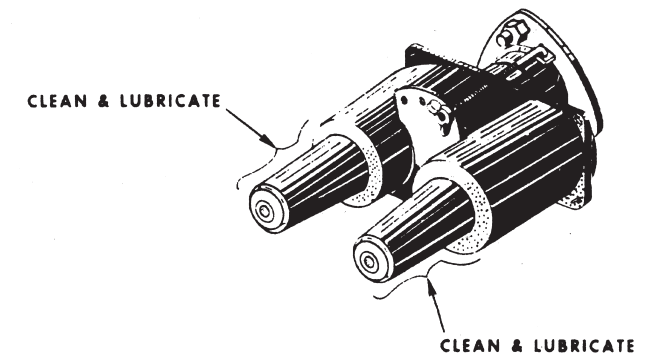


Figure 4

Step 5 – Cover Feed-thru Insert

Thoroughly clean the 200 Amp interfaces and lubricate with supplied lubricant.

Install the mating products of the feed-thru insert with instructions supplied with these products. (See Figure 5)

NOTE 1: If the feed-thru insert is not to be immediately mated with a mating product, replace the shipping caps to keep the operating interfaces free of contamination.

NOTE 2: DO NOT energize or submerge the apparatus with the shipping caps on the feed-thru insert.

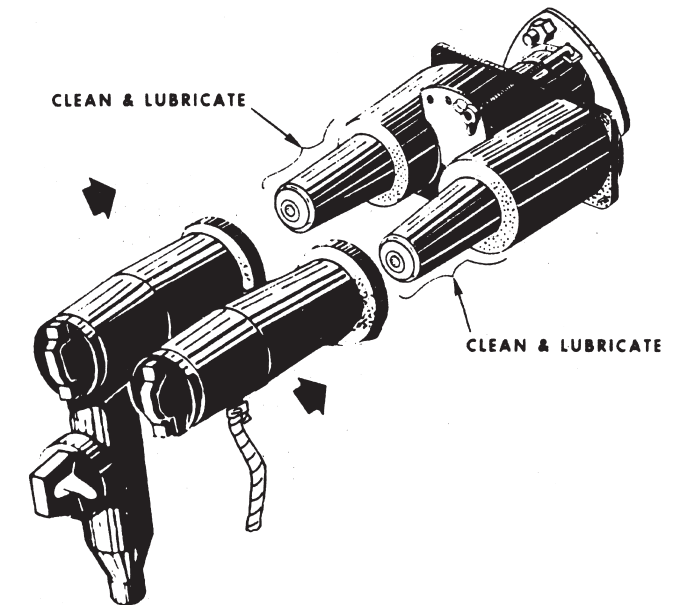


Figure 5