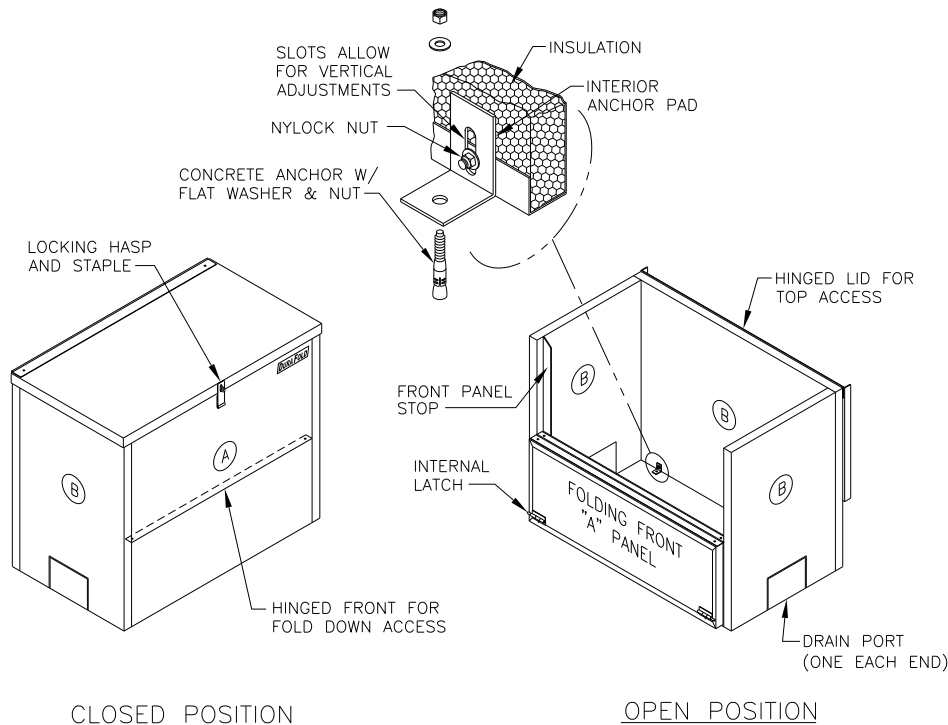


## Installation - Standard Durafold:



In most cases Durafolds are shipped assembled. If so, then skip to step 3.

\*Note the receptacles and the concrete slab should be prepared and fully cured before the enclosure is unpackaged.

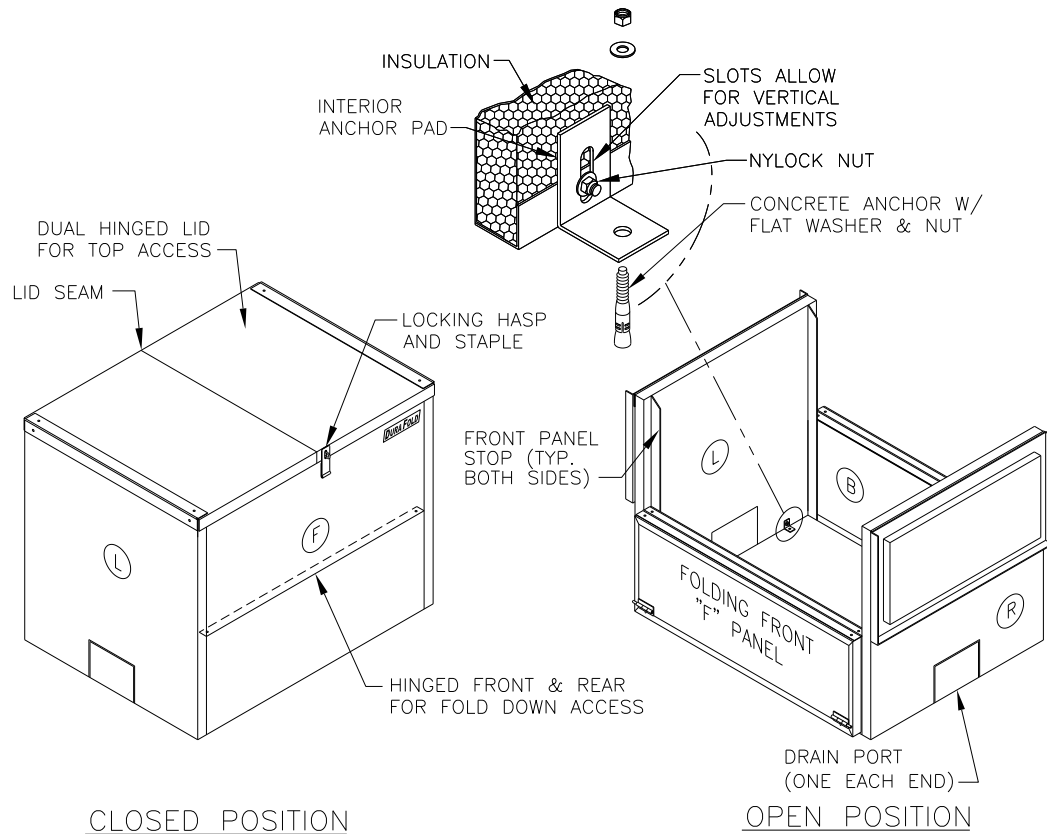
1. Position the "B" Panels around the installed valve maintaining clearance between the enclosure and the installed valve. **Do not tear the gasket on the enclosure base while positioning or joining the enclosure panels.**
2. Install Panel "A" to Panel "B" using 5/16" wing nuts.
3. **The enclosure must be squared and leveled.** The anchor pads supplied with the enclosure double as levelers. If needed, loosen the bolts attaching the anchor pads to the enclosure. Each pad is slotted for vertical movement. When level, tighten the pad bolts to the enclosure wall. **If the enclosure is not properly squared and leveled, then the lids may not close properly. Do not force the lids closed as this may cause damage.**
4. Locate the interior anchors. Mark and drill 3/8" diameter holes x 2" deep with the supplied bit.
5. Drive the wedge anchors into the holes and tighten with the washer and nut.
6. Heat trace tape: wrap the heat tape in a spiral or straight line (depending on length) about the pipe risers and back-flow device. Avoid overlapping the heat tape. Secure heat tape on 12" centers using only glass cloth tape or plastic cable ties. Restrain the plug end of the cord to provide proper strain relief and plug into a G.F.I. protected receptacle.
7. Convection heaters: hang the heater (if required) on the factory mounted heater plate and plug into a G.F.I. protected receptacle.
8. Raise hinged front panel and lock the internal latches
9. Close the lid and hang a padlock (not included) on the hasp and staple to secure.

**Warning! A ground fault circuit interrupting device shall be installed in the electrical supply circuit to the heater(s). Failure to do so may result in injury or death. The interior of this enclosure is a damp location.** Contractors other than Hot Box are responsible for the installation of the G.F.I. protected service and receptacles. When multiple heaters are required it is recommended that each heat trace tape be on separate 15 amp circuits or 1000w, 1500w or 2000w convection heater be on separate 20 amp circuits so in the event a circuit fails, all other circuits will remain powered. All installations to be in accordance with the local and national codes.

Hot Box  
3621 Industrial Park Drive  
Lenoir City, TN 37771

Contact Information  
Phone: (800) 346-3062  
waterhlc@hubbell.com  
www.hot-box.com

## Installation - Double Durafold:



In most cases Durafolds are shipped assembled. If so, then skip to step 4.

\*Note the receptacles and the concrete slab should be prepared and fully cured before the enclosure is unpackaged.

1. Position "L" and "R" panels against the installed valve. **Do not tear the gasket on the enclosure base while positioning or joining the enclosure panels.**
2. Install Panel "F" to Panel "L" and "R" using 5/16" wing nuts.
3. Install Panel "B" to Panel "L" and "R" using 5/16" wing nuts.
4. **The enclosure must be squared and leveled.** The anchor pads supplied with the enclosure double as levelers. If needed loosen the bolts attaching the anchor pads to the enclosure. Each pad is slotted for vertical movement. When level, tighten the pad bolts to the enclosure wall. **If the enclosure is not properly squared and leveled, then the lids may not close properly. Do not force lids closed as this may cause damage.**
5. Locate the interior anchors. Mark and drill 3/8" diameter holes x 2" deep with the supplied bit.
6. Drive the wedge anchors into the holes and tighten with the washer and nut.
7. Hang the heater (if required) on the factory mounted heater plate and plug into a G.F.I. protected receptacle.
8. Raise hinged front and back panels into place and lock the internal latches.
9. Close the lid and attach a padlock (not included) on each hasp and staple to secure.

**Warning! A ground fault circuit interrupting device shall be installed in the electrical supply circuit to the heater(s). Failure to do so may result in injury or death. The interior of this enclosure is a damp location.** Contractors other than Hot Box are responsible for the installation of the G.F.I. protected service and receptacles. When multiple heaters are required it is recommended that each 1000w, 1500w or 2000w convection heater be on separate 20 amp circuits so in the event a circuit fails, all other circuits will remain powered. All installations to be in accordance with the local and national codes.

Hot Box  
3621 Industrial Park Drive  
Lenoir City, TN 37771

Contact Information  
Phone: (800) 346-3062  
waterhlc@hubbell.com  
www.hot-box.com