



KILLARK®

INSTALLATION, OPERATION & MAINTENANCE DATA SHEET

**“ESX” SERIES FACTORY-SEALED SIGNAL DEVICE
READ THIS SHEET CAREFULLY BEFORE BEGINNING
INSTALLATION**



“ESX” SERIES FACTORY- SEALED SIGNAL DEVICE

CAUTION:

Before installing, make sure you are compliant with area classifications, failure to do so may result in bodily injury, death and property damage. Do not attempt installation until you are familiar with the following procedures. All installation must comply with the applicable Electrical Code.

Make sure that the circuit is de-energized before starting installation or maintenance.

Verify that the installation is grounded. Failure to ground will create electrical shock hazards, which can cause serious injury and or death.

IMPORTANT:

- 1) See device nameplate for specific hazardous location suitability and specific supply wire (minimum temperature rating).
- 2) Verify the ground continuity in the electrical system.
- 3) Do not operate this device if the ambient temperature exceeds the rating shown on the nameplate.

Technical information, advice and recommendations contained in these documents is based upon information that Killark believes to be reliable. All the information and advice contained in these documents is intended for use only by persons having been trained and possessing the requisite skill and know-how and to be used by such persons only at their own discretion and risk. The nature of these instructions is informative only and does not cover all of the details, variations or combinations in which this equipment may be used, its storage, delivery, installation, check out, safe operation and maintenance. Since conditions of use of the product are outside of the care, custody and control of Killark, the purchaser should determine the suitability of the product for his intended use, and assumes all risk and liability whatsoever in connection therewith.



3940 Dr. Martin Luther King Drive
St. Louis, MO 63113

P/N 00911939 FORM NO. K1121 R12/07 ECO-I-006-07

Page 1 of 3

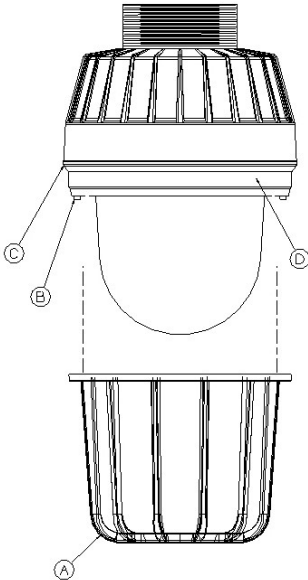
WARNING-HIGH VOLTAGE: Turn **OFF** the supplying circuit before beginning installation, wait 5 minutes before performing any maintenance including relamping.

WARNING: Do not operate this device on an ungrounded system.

NOTE: All installations must comply with applicable local and/or National Electrical Code, or United States Coast Guard(CFR46), Section (110-113) for Marine installation.

1. INSTALLATION:

INSTALLATION DRAWING



1. Install device's mounting accessory per instruction sheet K1087 supplied with the device mount. **NOTE:** for DC voltage the "EZTB" terminal block of the accessory is to be wired "POS" (+) to "LINE" terminal and "NEG" (-) to "COM" terminal.
2. Device is prewired for specific voltage from factory. Verify that the supply line voltage and device nameplate voltage are compatible.
3. Make sure external threads at the top of the device are free of any dirt, metal chips or other foreign materials. Apply a thin coat of Killark "LUBT" lubricant to the threads. **NOTE:** take extreme care not to cross-thread the device when installing into mounting accessory. Install device by threading into the mounting accessory; the electrical contacts will automatically engage. Be sure the device is tight (the O-ring gasket is in full contact).
4. Tighten the set screw on the side of the mounting accessory.
5. To install optional guard 'A' (EMG2), loosen the (4) screws 'B', slip the guard over the screws & rotate it to the locked position. Tighten the screws firmly.

WARNING- Not to be used as a visual public mode alarm notification appliance.

2. OPERATIONAL DATA

Operate this device only at the voltage of your specific supply circuit.

3. MAINTENANCE DATA

WARNING-HIGH VOLTAGE: Turn **OFF** the supplying circuit and allow 5 minutes before opening device for relamping. To relamp, loosen the locking screw 'C' and remove the globe support assembly 'D'.

KILLARK® Chalmert

Victor
Lighting

Vantage
Technology

RIEGER
POWER

HAWKE
International

3940 Dr. Martin Luther King Drive
St. Louis, MO 63113

P/N 00911939 FORM NO. K1121 R12/07 ECO-I-006-07

Page 2 of 3

NOTE: The globe support assembly disengages after approximately 3 turns. Remove (3) screws holding lamp/lens assembly in place. Unplug the assembly from the device and replace complete lamp/lens assembly with proper series type. Refer to the device nameplate for this information. When relamping, be careful not to damage the threaded areas of the device, as they maintain the device's explosion-proof properties. Clean the threads and apply a thin coating of Killark "LUBT" lubricant before reassembling.

CLEANING: To maintain maximum light output, the device should be cleaned periodically. Maintenance procedures sometimes require device to be hosed down for good housekeeping. **NOTE:** The supply circuit **must** be turned **OFF** and the device globe must be allowed to cool to the ambient room temperature before cleaning. Only mild, non-abrasive cleaning agents should be used. These periodic cleaning procedures are important to prevent the accumulation of dust and dirt which will impair the light output of the device. The glass globe should be regularly inspected for scratches and chips and, if damaged, the entire globe support assembly must be replaced.

NOTE: Join or "lap" marks may form during the pouring of molten glass in the globe manufacturing process. It is not unusual for these marks to become visible. This is a common and normal occurrence for explosion proof globes and does not affect performance.

NOTE: SAVE ONE OF THESE SHEETS FOR MAINTENANCE PERSONNEL.



3940 Dr. Martin Luther King Drive
St. Louis, MO 63113

P/N 00911939 FORM NO. K1121 R12/07 ECO-I-006-07

Page 3 of 3