



KILLARK®

INSTALLATION, OPERATION & MAINTENANCE DATA SHEET

GFCS SERIES FACTORY-SEALED, GROUND FAULT CIRCUIT INTERRUPTOR ENCLOSURE
For use in Class I, Groups B*, C, & D; Class II, Groups E, F & G;
Class III Hazardous Locations and NEMA 3 Raintight
*Group B locations require conduit seals within 18" of the enclosure



GFCS SERIES FACTORY-SEALED, GROUND FAULT CIRCUIT INTERRUPTOR ENCLOSURE

CAUTION:

Before installing, make sure you are compliant with area classifications, failure to do so may result in bodily injury, death and property damage. Do not attempt installation until you are familiar with the following procedures. All installation must comply with the applicable Electrical Code.

Make sure that the circuit is de-energized before starting installation or maintenance.

Verify that the installation is grounded. Failure to ground will create electrical shock hazards, which can cause serious injury and or death.

IMPORTANT:

Please read these instructions carefully before installing or maintaining this equipment. Good electrical practices should be followed at all times and this data should be used as a guide only.

Technical information, advice and recommendations contained in these documents is based upon information that Killark believes to be reliable. All the information and advice contained in these documents is intended for use only by persons having been trained and possessing the requisite skill and know-how and to be used by such persons only at their own discretion and risk. The nature of these instructions is informative only and does not cover all of the details, variations or combinations in which this equipment may be used, its storage, delivery, installation, check out, safe operation and maintenance. Since conditions of use of the product are outside of the care, custody and control of Killark, the purchaser should determine the suitability of the product for his intended use, and assumes all risk and liability whatsoever in connection therewith.

KILLARK®

Chalmit

Victor
Lighting

Vantage
Technology

RIG POWER

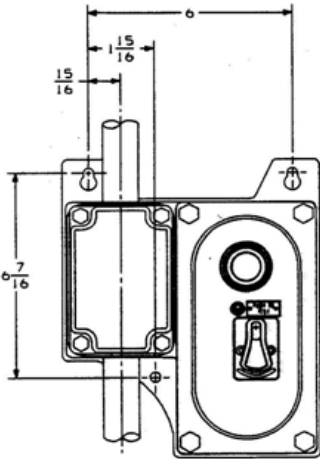
HAWKE
International

3940 Dr. Martin Luther King Drive
St. Louis, MO 63113

P/N 00912159 FORM NO. K1184 ECO-7-003-15 R11/15

Page 1 of

INSTALLATION DRAWING



USE 1/4" FASTENERS

NOTE: This enclosure is for use with 1-pole/120 or 2-pole/240 volt AC, 30 Amp maximum circuits. The enclosure is design for environments as defined in Article 500 of the National Electrical Code.

1. DIRECTIONS FOR INSTALLATION

1. Securely mount the box in a suitable location and install conduit. Enclosure must be mounted vertically (as shown in drawings) when used in a NEMA 3 application.
2. Wire the system referring to the appropriate wiring diagram on the reverse side of this sheet. Special care should be taken to distinguish between the line and load side connections.
3. Replace the blank cover and tighten screws to 5 ft-lbs.
4. After both the supply circuit and the load circuit have been connected, the circuit breaker handle can be turned to the "ON" position. The pilot light will light indicating power through the device.

2. OPERATIONAL DATA

The devices used in this enclosure are electrical arcing devices. The enclosure in which they are installed includes external seals which isolate these devices from the supply circuit. Depending on your application, additional external seals may be required by NEC articles, 501-5 & 502-5. In addition, the enclosure must be marked with a cautionary statement such as....

CAUTION: Disconnect this device from the supplying circuit before entering. Keep assembly tight while circuits are alive". This statement must be permanently visible after the enclosure has been installed.

If the pilot light does not light with circuit breaker in the "ON" position, check the following conditions:

- A. Circuit breaker tripped – Make sure that the circuit breaker has not tripped (turn handle toward "RESET"). Clear the load circuit of all faults before turning "ON".
- B. Lamp failure – Turn off the power supply and replace the lamp (unscrew lens guard assembly).
- C. Circuit breaker/ground fault malfunction - Replace circuit breaker.

3. MAINTENANCE DATA

This device should be checked for proper ground fault operation on a monthly basis. While connected to the power supply, turn circuit breaker handle "ON" and depress the push-to-test button. The circuit breaker should trip and the pilot light should turn OFF. Turn handle to reset the circuit breaker.

KILLARK® **Chalmit**

Victor
Lighting

Vantage
Technology

RIG POWER

HAWKE
International

3940 Dr. Martin Luther King Drive
St. Louis, MO 63113

P/N 00912159 FORM NO. K1184 ECO-7-003-15 R11/15

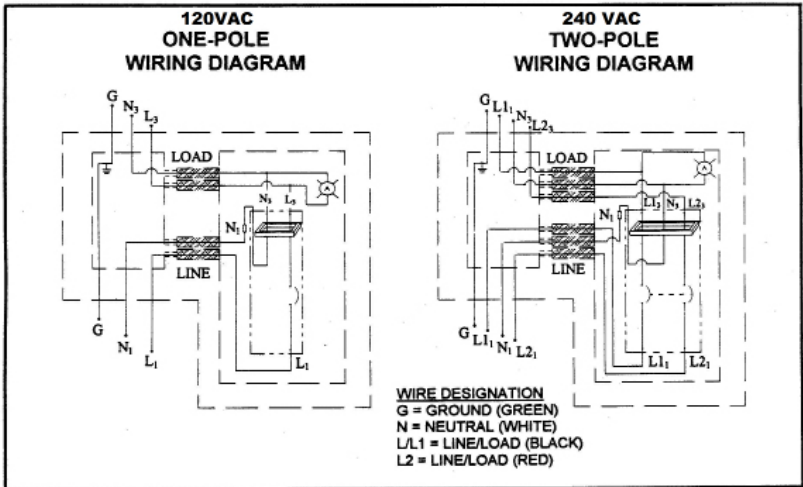
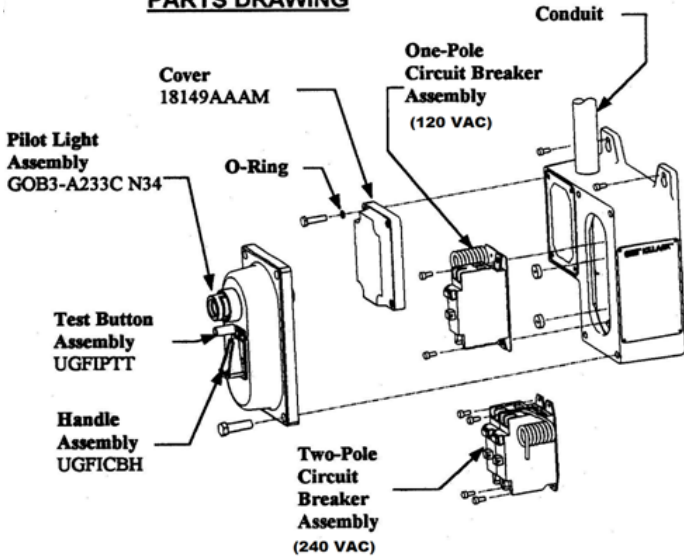
Page 2 of 3

WARNING: The surfaces between the covers and the box is a flame path and must be kept clean.

Tighten receptacle and cover screws as follows:
1/4" screws: 5 ft-lbs, 3/8" screws: 23 ft-lbs.

Inspect components for wear before each use.
If damaged, the parts must be replaced at once.
Refer to the Parts Drawing and the Killark catalog for specific replacement part numbers.

PARTS DRAWING



REMEMBER TO SAVE THIS SHEET FOR MAINTENANCE PERSONNEL



3940 Dr. Martin Luther King Drive
St. Louis, MO 63113

P/N 00912159 FORM NO. K1184 ECO-7-003-15 R11/15