



HUBBELL INCORPORATED (Delaware)  
2112 Fenton Logistics Park Blvd  
Fenton, Missouri 63026 USA

## “KFLS-25” Flood Light Stanchion Mount for use in Class I, Division 2 and Class II, Divisions 1 & 2 Hazardous Locations **INSTALLATION, OPERATION & MAINTENANCE DATA SHEET**

### Electrical power supply **MUST BE OFF** Before and during installation and maintenance

Before installing, be sure to read and be familiar with the following instruction procedures. All installations must comply with applicable local, National Electrical Codes and/or Canadian Electrical Code.

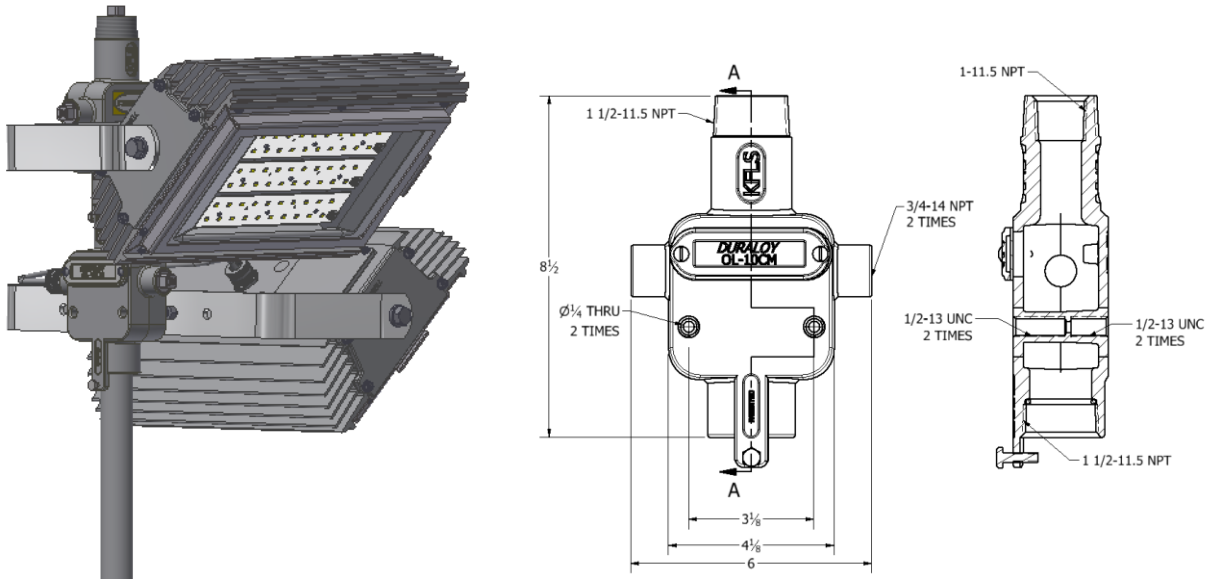
The KFLS-25 is designed to allow maximum flexibility for mounting Killark flood lights. It doubles as a splice box and has an internal ground lug and space for connecting wires. All plugs and reducers needed are included.

The luminaire can be attached to the KFLS-25 with 1/2-13 bolts. The KFLS-25 can be flush mounted to a surface with 1/4” bolts through the 1/2” threads.

Supports loads up to 125 lbs.

Patented sealing method allows conduit to be “unscrewed” up to one turn to allow for aiming of the floodlight without affecting seal.

The set screw must be used to keep luminaire from pivoting on the pole.



**NOTE:** Save this instruction sheet for maintenance and future reference.

Technical information, advice and recommendations contained in these documents are based upon information that Killark believes to be reliable. All the information and advice contained in these documents is intended only for use by persons having been trained, and possessing the requisite skill and know-how, and to be used by such persons only at their own discretion and risk. The nature of these instructions is informative only and does not cover all of the details, variations or combinations in which this equipment may be used; its storage, delivery, installation, check-out, safe operation and maintenance. Since conditions of use of the product are outside of the care, custody and control of Killark, the purchaser should determine the suitability of the product for his intended use, and assumes all risk and liability whatsoever in connection therewith.