



INSTALLATION, OPERATION, & MAINTENANCE DATA SHEET 20/30/60 Amp "KP" series Plug & "KR" series Receptacle Assemblies (2 & 3 wire and 3 & 4 pole configurations)

READ THIS SHEET CAREFULLY BEFORE BEGINNING INSTALLATION.

IMPORTANT: Before installing, check the carton label and product nameplate to be sure you have the correct type. Be sure power is turned OFF before starting installation.

Notice: The line terminals on "KP" series plugs require Soldering. **Do Not Crimp.** Receptacles have leads for wire nuts.

DIRECTIONS FOR INSTALLATION

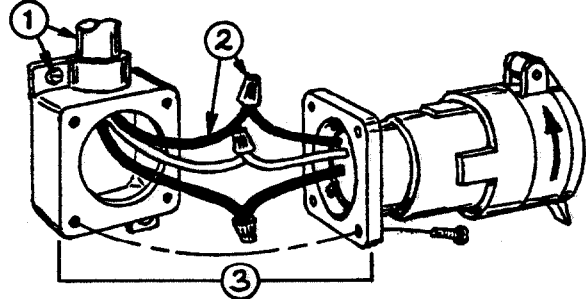
SERIES "KR" Receptacles:

- 1) Securely mount the receptacle box in a suitable location, and attach conduit as req'd.
- 2) Pull the supply wire through the conduit system and into the receptacle box. Strip the receptacle leads as required and connect to the supply leads with wirenuts or other suitable connectors.
- 3) Mount the receptacle assembly to the box and secure the assembly with cap hinge positioned at 12 o'clock. Rotate hinged cap (30/60 amp "KR" series) to clockwise stop for proper orientation.

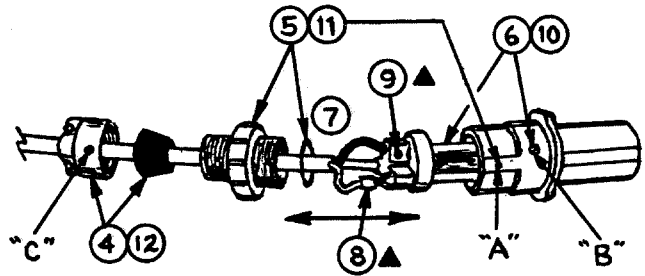
SERIES "KP" Plugs:

- 4) Unscrew the clamp/grommet from the plug cap and slide them onto the equipment cable.
- 5) Remove the set screw "A" from the plug assembly, unscrew the plug cap and remove the clamp washers (if used).
- 6) Remove the screw "B" and pull the ground strap and contact assembly from the back of the plug body.
- 7) Strip the cable jacket as required and strip the individual wires per the strip chart on the back of this sheet.
- 8) Secure the ground wire in the ground terminal and torque per the Table on Pg. 2. *The wire should sit under the gnd. strap.*
- 9) Solder the remaining wires to contacts. Be sure to maintain the proper color-code pattern for the wires to provide correct polarity in the system for the area of use.
- 10) Slide the contact assembly (with ground strap) back into the plug body and replace screw "B" to secure them.
- 11) Replace the plug (and clamp washers, if used) and secure with set screw "A".
- 12) Replace the clamp/grommet unit and secure the cable by tightening the two (2) clamp screws and secure with set screw "C".

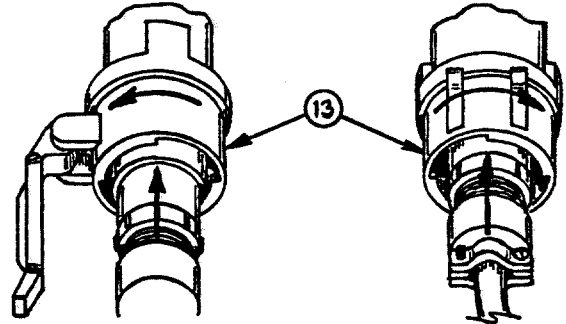
INSTALLATION DRAWINGS



(3 WIRE, 4 POLE SHOWN) RECEPTACLE ASSEMBLY



(2 WIRE, 3 POLE SHOWN) PLUG ASSEMBLY



- 13) Rotate key tab (20/30 amp "KR") or the hinged cap (30/60 amp "KR") to the counter-clockwise stop position and push the plug halfway in. Rotate the key tab or hinged cap clockwise until it stops, and push the plug all the way in.

When all parts of the system are connected, turn the power ON and test the system.

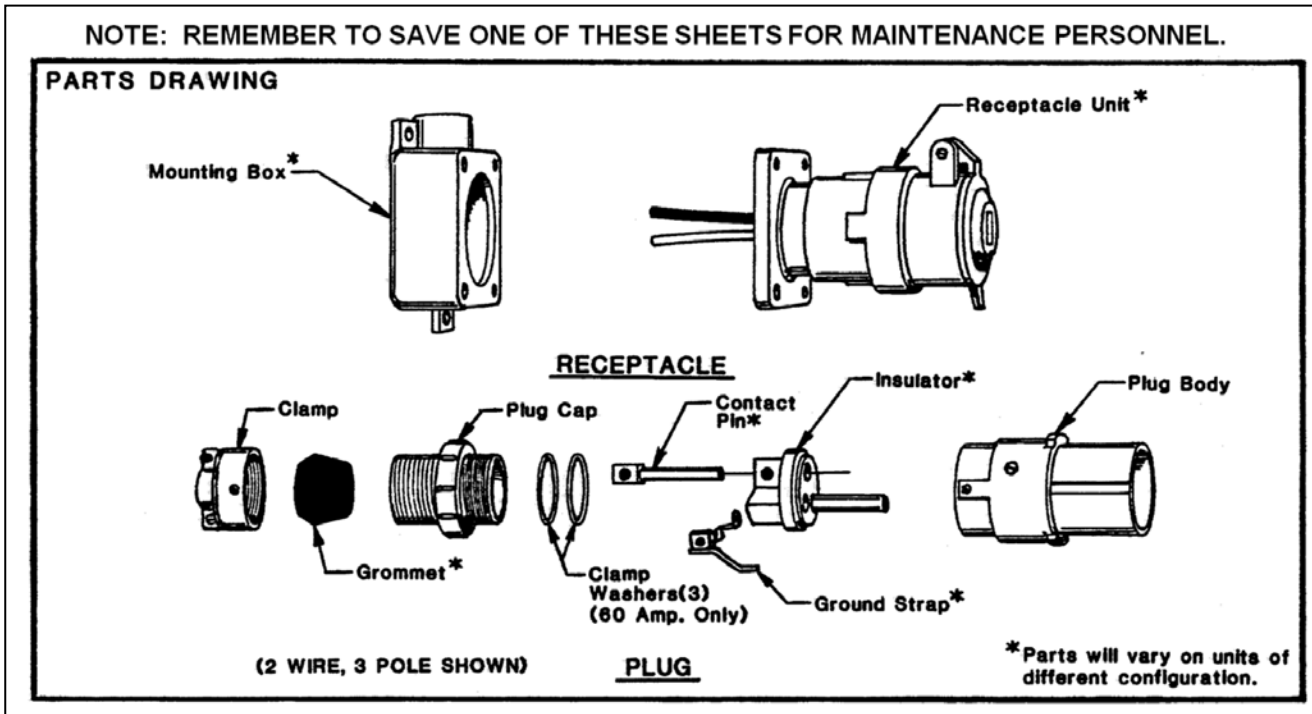
Note: All installations must comply with applicable local and/or National Electrical Code.

OPERATIONAL DATA

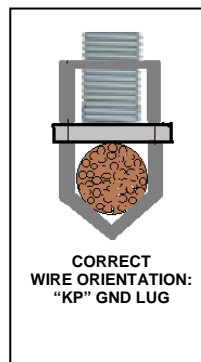
These plugs and receptacles are designed for quick disconnect from a power source and for general distribution of Secondary electrical power. Be sure to use these assemblies only within their rated limits. Also, make sure that a consistent wiring pattern is maintained, to provide correct polarity for the system and eliminate the possibility of equipment damage and/or injuries to persons using the equipment.

MAINTENANCE DATA

These plug and receptacles require no maintenance other than a periodic check for damage. Refer to the parts drawing below for a general breakdown of parts. Some plug parts are available for replacement, as sub-assemblies. The receptacle, however, since it is potted, must be replaced as a complete unit. Consult your distributor or the Killark factory for parts availability, giving complete catalog number of your assembly.



WIRE INFORMATION				
TERMINAL	AMP RATING	WIRE SIZE RANGE	WIRE LENGTH	TERMINAL TORQUE
GROUND	20	#14 --- #10	3/8"	8 in.lbs.
GROUND	30	#10 ---- #8	1/2"	20 in.lbs.
GROUND	60	#6 AND #4	5/8"	20 in.lbs.



MAINTENANCE MANAGER:
Please record the following information for your record.

COMPLETE CATALOG NO.

INSTALLED BY

DATE OF INSTALLATION

RECEPTACLE CAT. NO.	SUITABLE BACKBOXES
KRJ-20 KRJ-303 KRJ-304	AJC-2, AJC-3 JLC-1, JLC-2, JLX-1, JLX-2
KRJ-603 KRJ-604	JALX-3, JALX-4, AJAC-4, AJAC-5, AJAC-6, AJAT-4, AJAT-5

Technical information, advice and recommendations contained in these documents is based upon information that Killark believes to be reliable. All the information and advice contained in these documents is intended for use only by persons having been trained and possessing the requisite skill and know-how and to be used by such persons only at their own discretion and risk. The nature of these instructions is informative only and does not cover all of the details, variations or combinations in which this equipment may be used, its storage, delivery, installation, check out, safe operation and maintenance. There are no warranties, expressed or implied, except that all goods shall conform to their description, subject however to commercial tolerances and variations.