



**KILLARK**

**HUBBELL ELECTRICAL PRODUCTS**  
A Division of HUBBELL INCORPORATED (Delaware)  
2112 Fenton Logistics Park Blvd.  
Fenton, Missouri 63026 USA

## INSTALLATION, OPERATION & MAINTENANCE DATA SHEET

### Series “WH” Conduit Hubs



## Series WH Hubs – Liquid-tight and Dust-tight Aluminum and Stainless Steel Conduit Fittings

### **CAUTION:**

Before installing, make sure you are compliant with area classifications, as failure to do so may result in bodily injury, death and property damage. Do not attempt installation until you are familiar with the following procedures. All installation must comply with the applicable Electrical Code(s).

Make sure that the circuit is de-energized before starting installation or maintenance.

Verify that the installation is grounded. Failure to ground will create electrical shock hazards, which can cause serious injury and or death.

### **IMPORTANT:**

Please read these instructions carefully before installing or maintaining this equipment. Good electrical practices should be followed at all times and this data should be used as a guide only.

Technical information, advice and recommendations contained in these documents is based upon information that Killark believes to be reliable. All the information and advice contained in these documents is intended for use only by persons having been trained and possessing the requisite skill and know-how and to be used by such persons only at their own discretion and risk. The nature of these instructions is informative only and does not cover all of the details, variations or combinations in which this equipment may be used, its storage, delivery, installation, check out, safe operation and maintenance. Since conditions of use of the product are outside of the care, custody and control of Killark, the purchaser should determine the suitability of the product for his intended use, and assumes all risk and liability whatsoever in connection therewith.



**KILLARK**

**HUBBELL ELECTRICAL PRODUCTS**  
A Division of HUBBELL INCORPORATED (Delaware)  
2112 Fenton Logistics Park Blvd.  
Fenton, Missouri 63026 USA

**INSTALLATION, OPERATION & MAINTENANCE DATA SHEET**

**Series “WH” Conduit Hubs**

**Application Information:**

Suitable for use in Wet Locations.

Suitable for use in hazardous location application when installed according to NEC™ Articles 501.10(B) - Class I, Div.2 wiring methods (also Suitable for use in Class I Zone 2 applications); 502.10 (Class II wiring methods); 503.10 (Class III wiring methods); and 505.15 (C) (Zone 2 wiring methods).

Suitable for use with enclosure Types 2, 3, 3R, 4, 4X, 12 and 13.

**Installation:**

WH series hubs are to be installed through the walls of sheet metal enclosures with standard knockout dimensions.

- 1.) Remove locknut (A) from hub body (B) and insert hub throat through the wall of the enclosure.
- 2.) Thread the locknut (A) back onto the throat of the hub body (B) and then tighten to the torque specified in Table 1.
- 3.) Inspect the hub and check for a proper seating of the gasket.

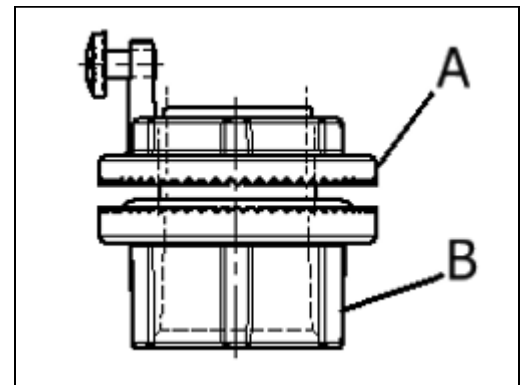


TABLE 1	
HUB SIZE	TORQUE (ft, lbs)
1/2" - 2"	20
2 1/2" - 4"	25

**North American Certification Information:**



**Class II, Div. 1, Groups E, F and G; Type 3 / 4 / 4X / 12 / 13; -50°C to +85°C**

- Stainless Steel Conduit Hubs for use with rigid conduit, Cat. Nos. WH-1SSG, -2SSG, -3SSG, -4SSG, -5SSG and -6SSG (Hub sizes 1/2, 3/4, 1 inch, 1-1/4, 1-1/2 and 2 inch).

**Class II, Div. 1, Groups E, F and G; Type 3 / 4 / 4X / 12 / 13; -25°C to +85°C**

- Aluminum Conduit Hubs for use with rigid conduit, Cat. Nos. WH-1AG, -2AG, -3AG, -4AG, & -25AG (Hub sizes 1/2, 3/4, 1 inch, 1-1/4, 25mm).

