

INSTALLATION INSTRUCTIONS

INSTALL FROM BELOW 3-1/2" SQUARE TRIM MODELS:

- J312: WIDE DISTRIBUTION DOWNLIGHT
- J314: MEDIUM DISTRIBUTION DOWNLIGHT
- J316: NARROW DISTRIBUTION DOWNLIGHT
- J315: WALL WASHER
- J343: WIDE DISTRIBUTION DIRECTIONAL
- J345: MEDIUM DISTRIBUTION DIRECTIONAL
- J347: NARROW DISTRIBUTION DIRECTIONAL

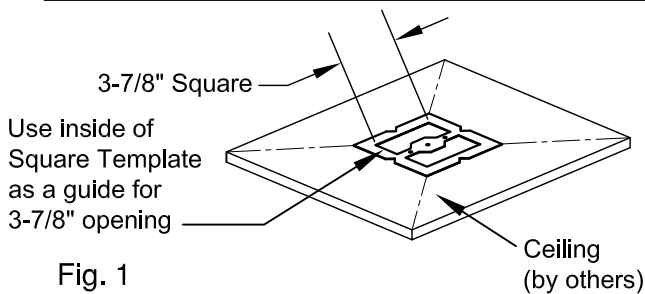


Fig. 1

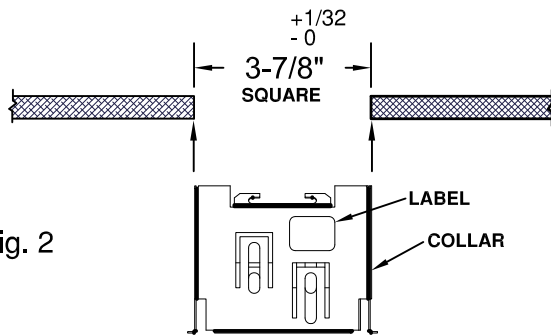


Fig. 2

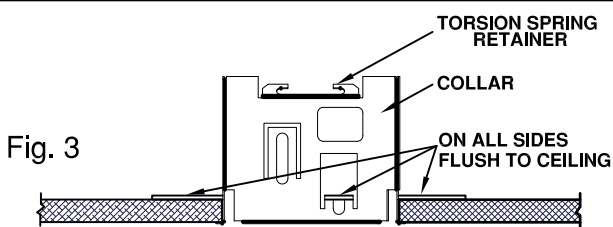


Fig. 3

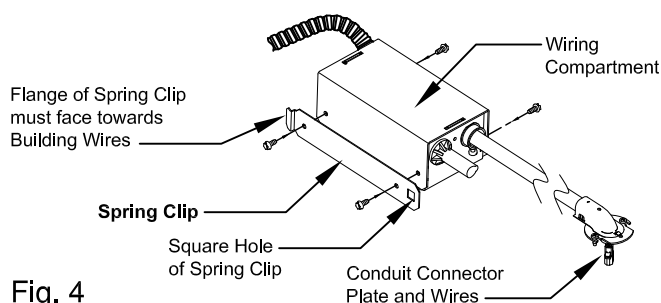


Fig. 4

Notes:

1. Make sure power is off before installing or servicing fixture. Building wires must be in compliance with local codes.
2. All electrical wiring must be made by a licensed electrician.
3. Install only in non-insulated hard ceiling.

Installation:

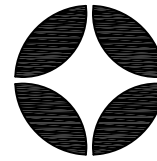
1. Use the provided square template as a guide to cut an opening in the center ceiling for the collar. Because of the small overlap of flange, the accuracy of this opening is critical. Cutting opening larger may result in the fixture not fitting or aligning correctly.
Optional: Template holes will accommodate (3) #6 screws to attach template to ceiling while cutting the opening.
See Fig. 1 and 2
2. For Wall Wash Fixtures: Verify the correct orientation of Torsion Spring Retainers in relation to the wall. The collar is labeled for correct position. **See Fig. 2**
3. Install collar into opening. Bend tabs on each side completely outward and down. If necessary, use pliers to ensure tabs are flush to the ceiling. Warning: Tabs must be bent flush or fixture may not be retained in the ceiling properly. **See Fig. 3**
4. Pull building wires (flexible metallic greenfield) down through the inside of the collar. Provide enough slack in the building wires so the wiring compartment can be easily serviced from below the finished ceiling line.
5. Remove (4) screws at the wiring compartment and remove cover. Remove appropriate knockouts and make the proper splices at the wiring compartment, per applicable codes. Wiring diagram is located inside the wiring compartment cover. **IMPORTANT: DO NOT DISCARD THE SPRING CLIP! See Fig. 4**
6. Re-assemble the wiring compartment. Ensure no wiring is pinched between the cover and base of the compartment. Spring clip must be assembled onto wiring compartment as shown. **See Fig. 4**
7. Insert wiring compartment assembly up through the collar opening into the ceiling. Keep the conduit end with connector plate and wires hanging through the opening for easier assembly to the Trim.
8. Connect conduit output wires with fixture wire connector.
See Fig. 5
9. Position conduit connector plate onto fixture as shown and tighten screws. **See Fig. 6A, 6B, & 6C**
10. For Downlight and Wall Washer fixtures: Engage torsion springs into torsion spring brackets and gently push trim assembly up into collar. **See Fig. 7A & 7B**
11. For Directional fixtures: Align (4) square slots in ceiling collar with (4) springs in fixture and gently push trim assembly up into collar. **See Fig. 7C**
12. In all cases, trim assemblies must fit snug against ceiling.

Reflector Replacement:

1. Carefully pull down trim assembly from collar.
2. Twist reflector and pull slightly downwards.
3. Slide reflector out of fixture.
4. To reinstall, follow the above steps in reverse order.

Quality Control

Every effort is made to assure that our products reach the job in perfect condition. We welcome your comments. Kurt Versen company may change construction periodically without notice as part of its program for product improvement.



INSTALLATION INSTRUCTIONS

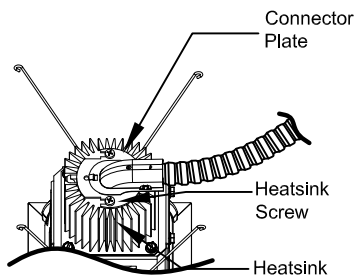
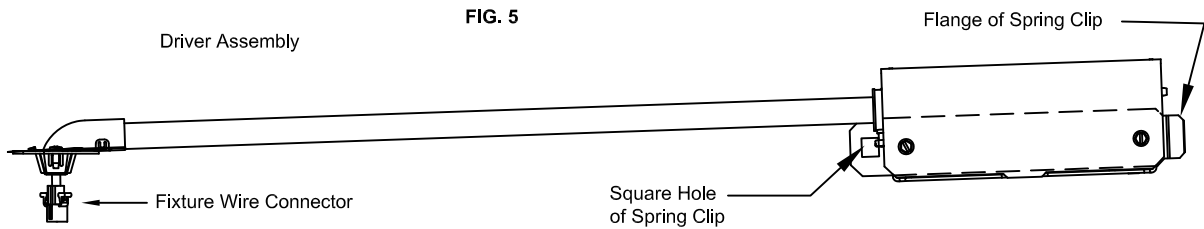


FIG. 6A
Partial View of Downlight
Trim Assembly

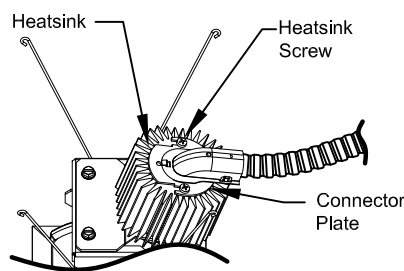


FIG. 6B
Partial view of Wall Washer
Trim Assembly

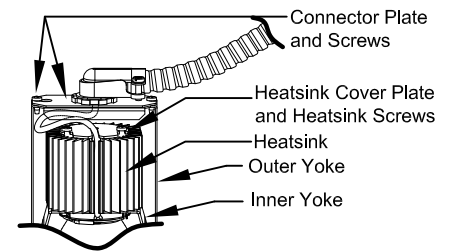


FIG. 6C
Partial view of Directional
Trim Assembly

FIG. 7A
Downlight Installation

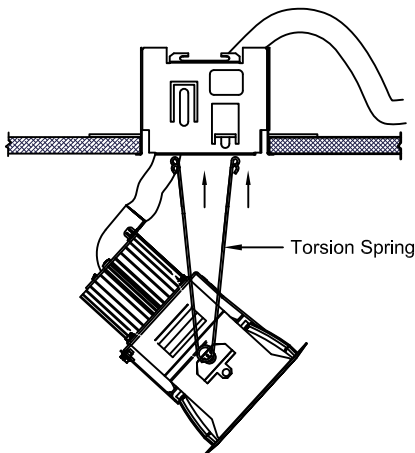


FIG. 7B
Wall Washer Installation

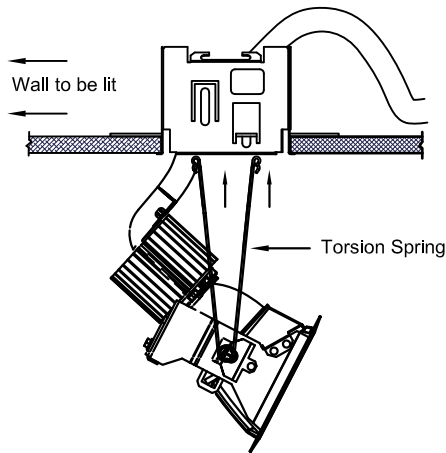


FIG. 7C
Directional Installation

