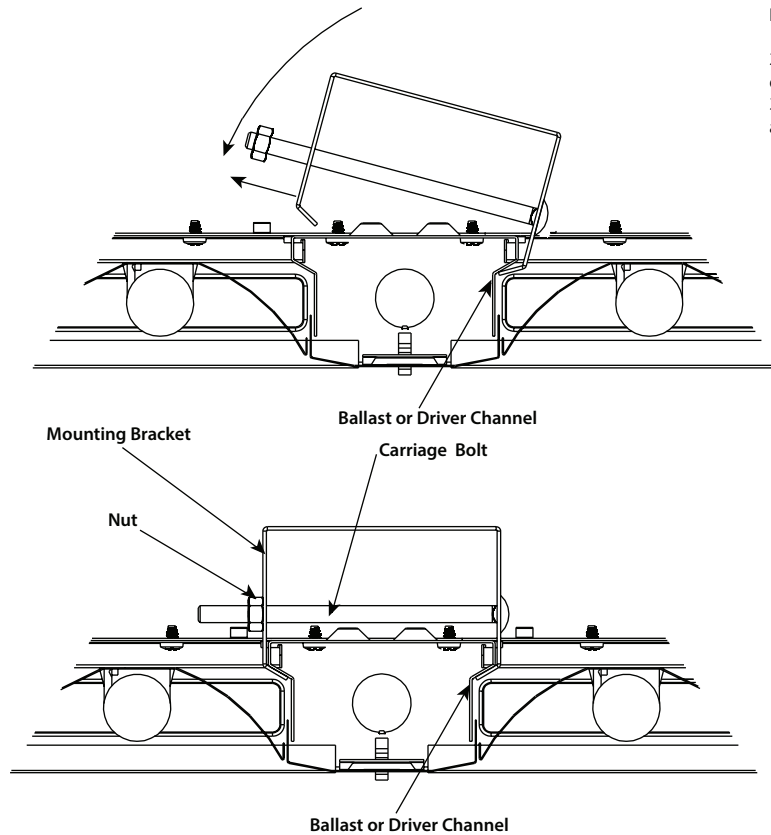


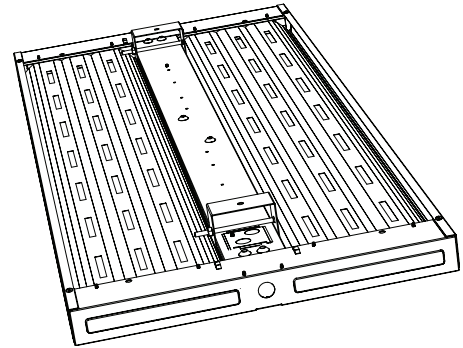
INSTRUCTION VERSABAY® TONG HANGER

Applies to both fluorescent (shown) and LED VersaBay® High Bays



Notes:

- 1 - Put flange of hanger against ballast or driver channel as shown.
- 2 - Pull out on opposite side of hanger in direction indicated just enough to clear ballast or driver channel and rotate into place.
- 3 - Position bracket along ballast or driver channel in desired location and tighten nut on carriage bolt to secure bracket in place.



TO ORDER FOR LLHV LED HIGH BAYS:
ORDER ACCESSORY LHVTH FOR L, M, AND H LUMEN PACKAGES
ORDER ACCESSORY LHVWTH FOR V, X, AND U LUMEN PACKAGES