

INSTRUCTIONS FOR REGULAR DUTY ALUMINUM PLATFORMS

Catalog Number CP-122, CP-142, CP-162,
CP-122-WKY, CP-142-WKY, CP-162-WKY

Keep these instructions for future reference.



WARNING

Failure to read and follow all of the information presented here and with the associated equipment could cause damage to equipment, serious injury, or death.

APPLICATION

Platforms are intended to be installed between two poles and hold from one to three pieces of equipment such as transformers, regulators, and reclosers. The platforms are supplied assembled. The regular duty platform is attached to the two poles by eight machine bolts (not supplied), four bolts in each pole.

Model CP-122 and CP-122-WKY

These models have two beams 14 feet long. The CP-122-WKY is supplied with supports and hand railings for a 41 inch wide by 12 feet long walkway (walkway planks not supplied).

LOAD RATING:

Uniform Vertical Load	8,000 pounds
Single Center Vertical Load	5,000 pounds
Three Vertical Loads	2,000 pounds

Model CP-142 and CP-142-WKY

These models have two beams 16 feet long. The CP-142-WKY is supplied with supports and hand railings for a 41 inch wide by 14 feet long walkway (walkway planks not supplied).

LOAD RATING:

Uniform Vertical Load	6,000 pounds
Single Center Vertical Load	4,000 pounds
Three Vertical Loads	1,800 pounds

Model CP-162 and CP-162-WKY

These models have two beams 18 feet long. The CP-162-WKY is supplied with supports and hand railings for a 41 inch wide by 16 feet long walkway (walkway planks not supplied).

LOAD RATING:

Uniform Vertical Load	5,000 pounds
Single Center Vertical Load	3,100 pounds
Three Vertical Loads	1,400 pounds

INSTALLATION



WARNING



Improper installation can allow platform and/or equipment to fall.
Can cause property damage, personal injury or death.

1. Examine preassembled platform making sure all parts are present and undamaged. Missing and/or damaged parts must be replaced before installation. Drawings of standard and walkway type platforms may be seen in Drawings SACP142 and SACP142WKY.
2. The two mounting poles must be set close enough together so that at least 12 inches of the platform's main beams extend past the two inside pole faces. For example, if the beam length is 168 inches, the inside pole faces should be no greater than 144 inches apart ($168 - 24 = 144$).
3. Using the shear plate as a template, drill four through holes in each of the poles. The top hole should be 4" above the desired platform height. The hole spacing is specified in attached platform mounting drawing. It is important that the holes be drilled square through the pole to match shear plate holes on both sides of the pole. The holes should be large enough to accept $\frac{3}{4}$ " through bolts, and should be level between the two poles.
4. Before placing the platform between the poles, the bolts holding the end brackets to the H-beam should be loosened (**not removed**). This will allow the brackets to slide freely on the beam and custom fit the pole face. It is helpful to leave the bolts loose until after the platform has been mounted.



P216-0248

3/08/13
Rev. A

 DANGER	
	Electrical contact hazard. Platform will conduct electricity.
	Contact with energized power line will cause death or severe personal injury.
	Do not let platform touch power lines.
	Maintain approved electrical clearances.

5. Using approved safety procedures, lift and place the platform between poles. Install $\frac{3}{4}$ " bolts through the bracket holes into the predrilled pole holes. Before tightening the bolts, check the platform for level. After confirming the platform is level, firmly tighten the through bolts and previously loosened bracket bolts.
6. The platform has six "hat" channels across the top of the beams that can be adjusted to meet the necessary mounting dimensions. The equipment is mounted on the hat channels. To adjust the hat channels, loosen the bolts and slide to the necessary dimensions. It is helpful to unseat the bolt heads by tapping bolt with a hammer before adjusting the channels.

NOTE: The equipment must be spaced evenly on the platform for proper load distribution.

7. After hat channel adjustment, tighten bolts firmly and mount equipment following manufacturer's recommendations and appropriate safety procedures.
8. If the platform is a walkway type, refer to Drawing SACP142WKY for hand rail attachment. Drill a $\frac{13}{16}$ " hole through each pole 46 inches above the platform bottom. Assemble hand rail per Drawing SACP142WKY. Walkway planks and their attachment are the responsibility of the user. Follow your safety department's recommendations as to type of plank material and attachment means.
9. Do a final check of the installation being sure all bolts are tightened, the beams extend at least 12 inches beyond inner pole faces, and the equipment load is evenly distributed.

These instructions do not claim to cover all details or variations in equipment, nor to provide for all possible conditions to be met concerning installation, operation, or maintenance of this equipment. If further information is desired or if particular problems are encountered which are not sufficiently covered in this guide, contact your Hubbell Power Systems representative or the factory at (573) 682-5521.



NOTE: Because Hubbell has a policy of continuous product improvement, we reserve the right to change design and specifications without notice.

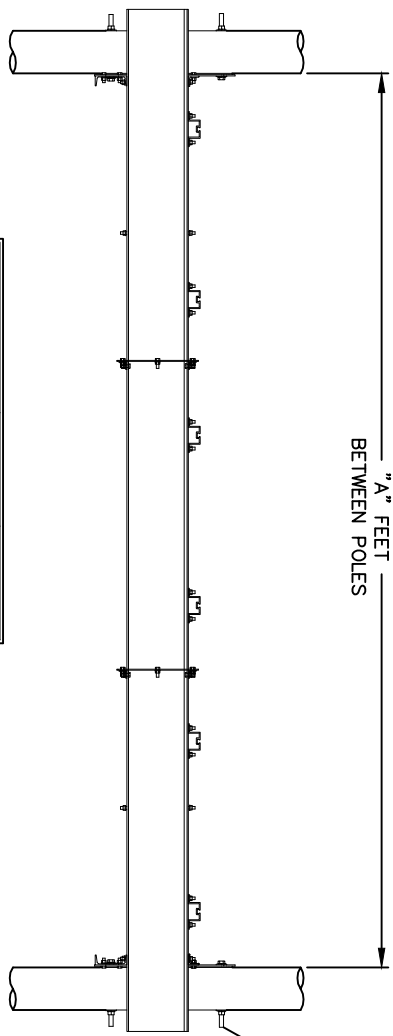
©2013 Hubbell Power Systems, 210 N. Allen St., Centralia, MO 65240 USA



"B" FEET
OVERALL LENGTH

ADJUSTABLE MOUNTING SURFACE

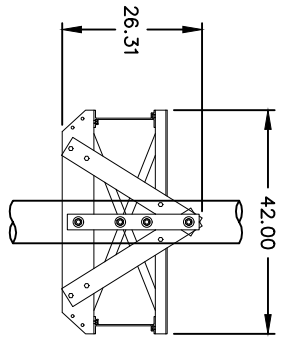
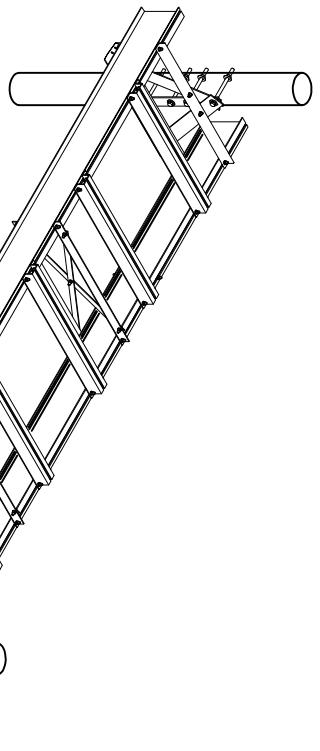
"A" FEET
BETWEEN POLES



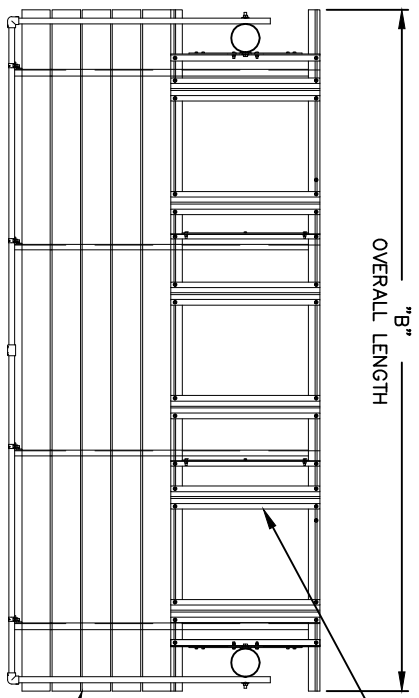
3" MOUNTING BOLTS
(SOLD SEPARATELY)
8 TOTAL 4 PER SIDE

CAT. NO.	"A"	"B"
CP122	12'	14'
CP142	14'	16'
CP162	16'	18'

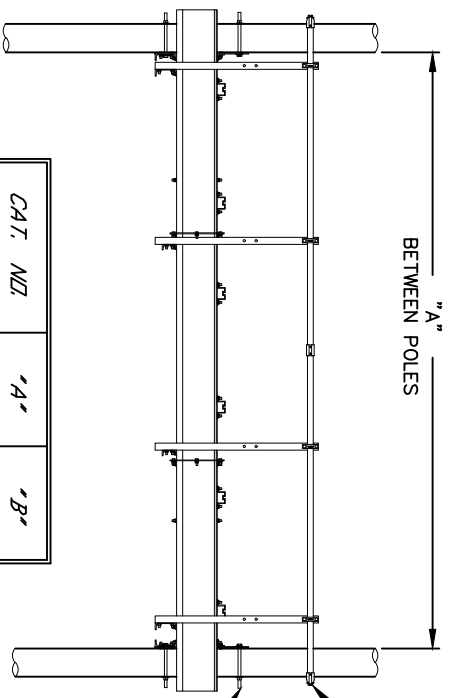
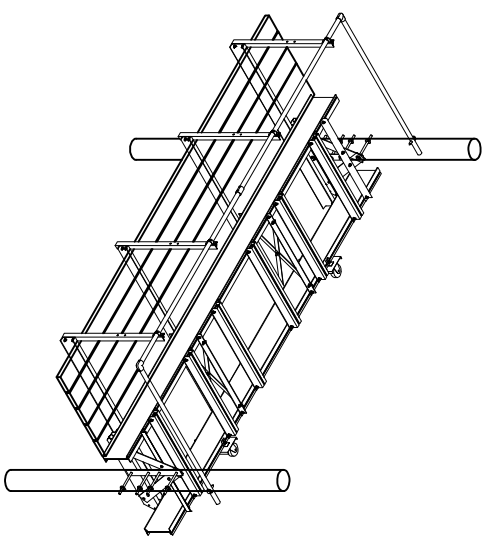
NOTES=
1. MATERIAL: 6061-T6 ALUMINUM,
GALVANIZED STEEL HARDWARE



CHANCE TOLERANCE CHART		HUBBELL POWER SYSTEMS	
<small>CONFIDENTIAL: THIS DRAWING AND ITS CONTENTS ARE CONFIDENTIAL AND THE INFORMATION CONTAINED HEREIN IS UNCLASSIFIED AND NOT FOR PUBLICATION, DISTRIBUTION OR COPIES MAY BE MADE WITHOUT THE WRITTEN CONSENT OF HUBBELL POWER SYSTEMS. UNPUBLISHED HUBBELL POWER SYSTEMS. ALL RIGHTS RESERVED UNDER THE COPYRIGHT LAWS.</small>		<small>DO NOT SCALE THIS DRAWING</small>	
TITLE HUBBELL POWER SYSTEMS PLATFORM, ALUMINUM	SIZE DWG NO. SB SACP142	CAT / PART / ASSY NO. SEE CHART	REV ---
DWN BY BERGER	DATE 12/14/12	SHEET 1 OF 1	



WALKWAY PLANKS
NOT INCLUDED

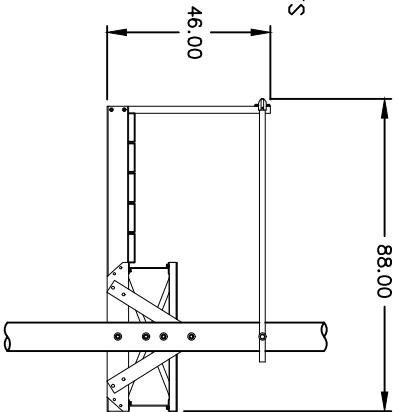


3" WALKWAY MOUNTING BOLTS
(SOLD SEPARATELY)
2 TOTAL 1 PER SIDE

3" MOUNTING BOLTS
(SOLD SEPARATELY)
8 TOTAL 4 PER SIDE

CAT. NO.	"A"	"B"
CP122WKY	12'	14'
CP142WKY	14'	16'
CP162WKY	16'	18'

NOTES=
1. MATERIAL: 6061-T6 ALUMINUM,
GALVANIZED STEEL HARDWARE



CHANCE
TOLERANCE CHART

HUBBELL POWER SYSTEMS
PLATFORM,
ALUMINUM

SIZE DIMG NO. CAT / PART / ASSY NO. REV
SB/SACP142WKY SEE CHART --

DO NOT SCALE DRN BY BERGER DATE 1/31/13 SHEET 1 OF 1

CONFIDENTIAL: THIS DRAWING AND ITS CONTENTS ARE CONFIDENTIAL AND THE PROPERTY OF HUBBELL POWER SYSTEMS, INC. DISTRIBUTION OR COPIES MAY BE MADE WITHOUT THE WRITTEN CONSENT OF HUBBELL POWER SYSTEMS UNPUBLISHED. ALL RIGHTS RESERVED UNDER THE COPYRIGHT LAWS.