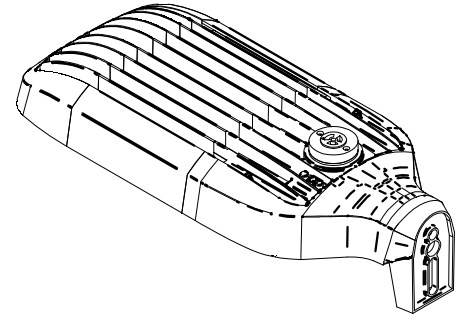


SAVE THESE INSTRUCTIONS

INSTALLATION
INSTRUCTIONS
PCPAE

READ THOROUGHLY BEFORE INSTALLATION

WARNING! Fixtures must be grounded and installed in accordance with the National Electrical Code and all local codes. Failure to do so may increase the **RISK OF PERSONAL INJURY, PROPERTY DAMAGE, FIRE AND DEATH**. Install and use so fixture failures do not cause a hazard and use only in environments for which the product is specifically marked.

WARNING! This product contains chemicals known to the State of California to cause cancer, birth defects, and/or other reproductive harm. Thoroughly wash hands after installing, handling, cleaning, or otherwise touching this product.

CAUTION! Follow ALL luminaire recommendations, product markings, instructions, restrictions and warnings regarding luminaire operation and burning position. Luminaire label shows electrical and environmental requirements and restrictions.

All electrical work must be done by a qualified electrician.

Turn off electric power to all affected circuits and allow to cool before servicing.

A regularly scheduled maintenance program should be established to retain optimum light output and reduce heat retention. Dusting with a soft, clean, dry cloth is normally sufficient for the optical system. Any accumulation of dust or dirt should be removed regularly.

Give instructions to facility owner/manager for future reference.

NOTE:

- This luminaire is designed for outdoor lighting applications with ambient temperatures ranging from -40°C to 40°C.
- Universal input voltage 120-277VAC, 50/60 Hz; 347/480VAC
- Surge Protection - 20kA; Shuts off at end of life.
- For replacement LED Assemblies and Drivers please contact Hubbell Lighting for any replacement parts.
- Contact your local distributor or agent to confirm parts availability prior to ordering replacement parts.

WARNINGS:

Dangerous voltage exist within the unit and all precautions usually observed in handling high voltage equipment should be observed when replacing light engine or otherwise servicing luminaires. Disregarding this warning could result in electrical shock and possible injury to the individual installing or servicing this equipment. Installation and servicing should be done by qualified personnel.

Tools Required:

- Torque Wrench
- 3/4" Wrench
- T-20 Torx bit
- 1/2" Socket Driver

Fixture Installation:

1. Open Housing Door by loosening (2) 8-32 Thumb Screws and sliding Housing Door towards front of fixture. Align hole in Hinge Joint with Door hook feature and then slide Door sideways to free hooks (Door should be at about 30 degree angle to Housing to allow Door to slide out).

2. Complete steps 3-8 for Arm connection or steps 9-11 for Slip Fitter connection, then proceed with Wiring.

Arm Connection (3-8)

3. Remove Arm Cover by loosening (1) 8-32 Screw and sliding cover off.

4. Using 3/4" wrench, attach Arm to the nut plate in the pole with the supplied hardware: (2) 1/2-13 Bolts, (2) 1/2" Flatwashers, and (2) 1/2" Lockwashers.

5. Torque 1/2-13 Bolts to approx. 45 ft-lbs.

6. Reinstall Arm Cover to Arm with the 8-32 Screw.

7. Attach Housing to Arm by aligning the Housing above the Arm and sliding Housing down on to the U-shaped bracket. Ensure wiring is not pinched between Housing and Arm.

8. Secure Housing to Arm by tightening (2) 5/16-18 Screws using the 1/2" Socket driver. Torque to 18-20 ft-lbs.

Pole Slip Fitter Connection (9-11)

9. Insert Wildlife Shield at opening of Housing.

10. Slide the Housing over the pole and locate pole end at 1 of 3 Steps. See figure below for Step angles.

11. Secure the pole using (2) Slip Fitter Clamps and (4) 5/16-18 Screws. Torque to 20-24 ft-lbs.

Wiring:

Wiring must be performed by qualified electrician. Make electrical connections according to local and National Electrical Codes.

1. With Housing Door open, insert wiring from pole through Arm (if used) into Housing and wire directly or to terminal block (if used). Wires connect black to black, white to white, and green to ground.

2. Ensure power is supplied to LEDs. If not, review Troubleshooting section below.

3. When finished, ensure wires do not get pinched and return the Housing Door to closed position.

4. Secure Housing Door by tightening (2) 8-32 Thumb Screws.

Photocontrol Option:

Note: The luminaire will not operate without a photocontrol switch or a shorting cap in place.

1. When positioning receptacle, loosen the (2) Screws and rotate until aimed North. Secure screws once properly aimed.

2. Do not leave receptacle open to elements.

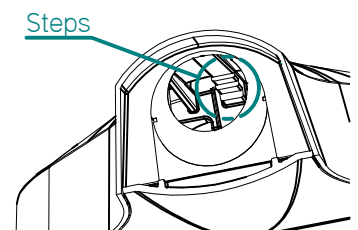
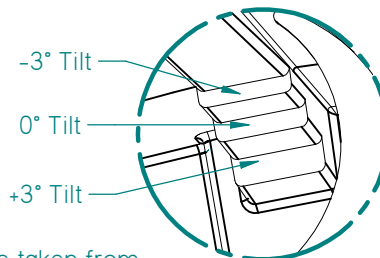
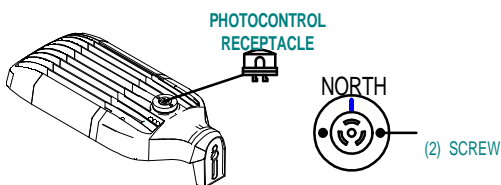
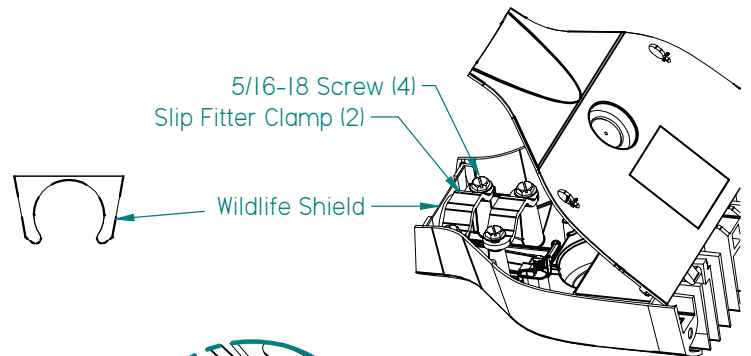
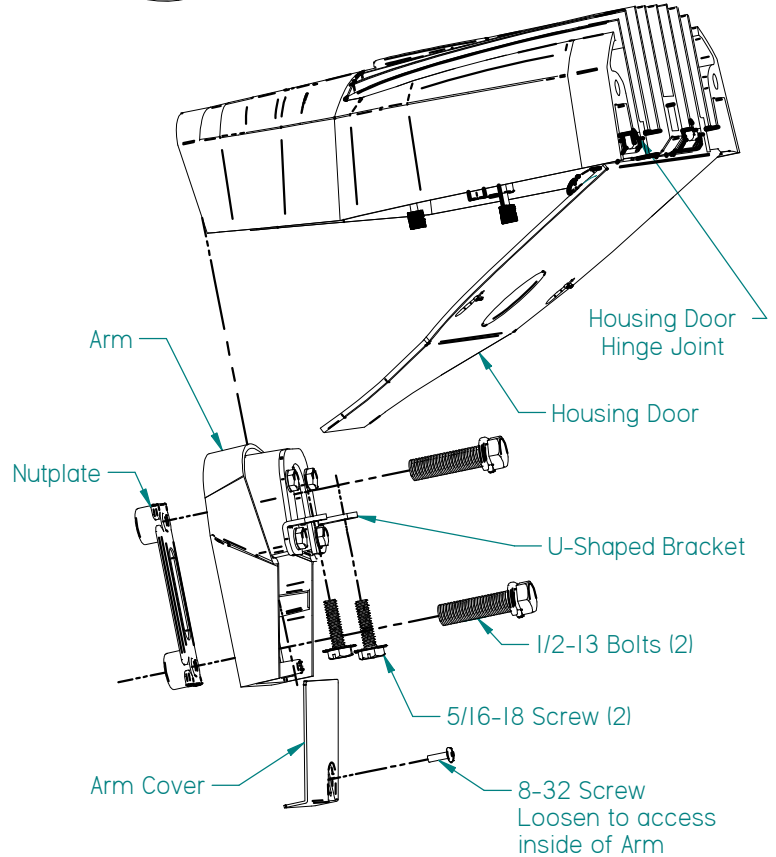
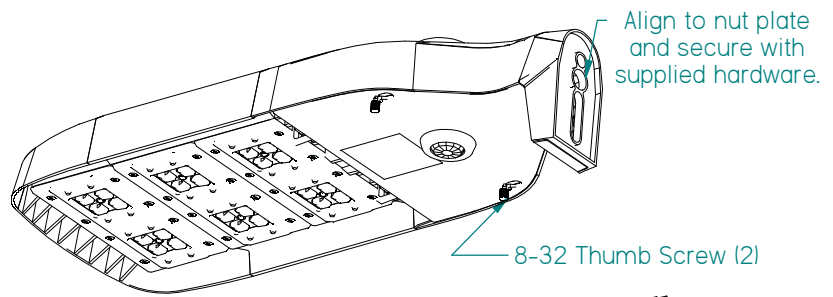
Maintenance & Troubleshooting:

1. With Housing open, check Surge Protection Device for failure.

2. If replacement is needed, **turn off all incoming power before replacing parts.**

3. When finished, ensure wires do not get pinched and return the Housing Door to closed position.

4. Secure Housing Door by tightening (2) 8-32 Thumb Screws.



All angles are taken from the LEDs being aligned parallel to the ground

DETAIL Steps