



Installation Instructions

PCVTS & PCVTW LED

Read Thoroughly Before Installation

WARNING: Fixtures must be grounded and installed in accordance with the National Electric Code and all local codes. Failure to do so may increase the **RISK OF PERSONAL INJURY, PROPERTY DAMAGE, FIRE AND DEATH**. Install and use so fixture failures do not cause a hazard and use only in environments for which the product is specifically marked.

WARNING: This product contains chemicals known to the state of California to cause cancer, birth defects, and/or other reproductive harm. Thoroughly wash hands after installing, handling, cleaning, or otherwise touching this product.

CAUTION: Follow ALL luminaire recommendations, product markings, instructions, restrictions and warnings regarding luminaire operation and burning position. Luminaire label shows electrical and environmental requirements and restrictions.

THIS PRODUCT MUST BE INSTALLED IN ACCORDANCE WITH THE APPLICABLE INSTALLATION CODE BY A PERSON FAMILIAR WITH THE CONSTRUCTION AND OPERATION OF THE PRODUCT AND THE HAZARDS INVOLVED

Turn off electric power to all affected circuits and allow to cool before servicing.

A regularly scheduled maintenance program should be established to retain optimum light output and reduce heat retention. Dusting with a soft, clean, dry cloth is normally sufficient for the optical system. Any accumulation of dust or dirt should be removed regularly.

Carefully read these instructions before installing product.

Give instructions to facility owner/manager for future reference.

NOTE:

This luminaire is designed for outdoor lighting applications with ambient temperatures not exceeding 40°C

WARNINGS:

Dangerous voltage exist within the unit and all precautions usually observed in handling high voltage equipment should be observed when replacing light engine or otherwise servicing luminaires. Disregarding this warning could result in electrical shock and possible injury to the individual installing this equipment. Installation and servicing should be done by qualified personnel.

Tools Required:

Phillips Head Screwdriver

INSTALLATION

CAUTION

- BE SURE POWER IS OFF PRIOR TO INSTALLATION OR REPAIRS
- CAUTION-RISK OF SHOCK
- Wiring must be performed by a qualified electrician in accordance with local and National Electric Codes
- This LED unit is equipped with an electronic driver having an input of 120 to 277V. Check that supply voltage matches the voltage marked on the label prior to connecting to supply leads.

Ceiling/Pendant Mounting

- Attach fixture to junction box using appropriate hardware for the mounting surface.
- Remove gasket inside LED housing
- Remove one screw in LED housing and loosen the remaining screw.
- Rotate LED housing 180 degrees and tighten the remaining screw. DO NOT PINCH WIRES WHILE ROTATING.
- Tighten LED housing screw to ensure that no components fall.
- Make wiring connections inside the mounting housing.
- See Wiring Instructions

Wall Mounting

- Attach fixture to junction box using appropriate hardware for the mounting surface (Mounting hardware not included).
- Remove gasket inside LED housing and remove screw closest to mounting surface.
- Loosen other screw and rotate LED housing 180 degrees so that the four mounting housing screws are easily accessible. DO NOT PINCH WIRES WHILE ROTATING
- Tighten LED housing screw to ensure that no components fall.
- Remove the four mounting housing screws and make wiring connections inside mounting housing.
- See Wiring Instructions

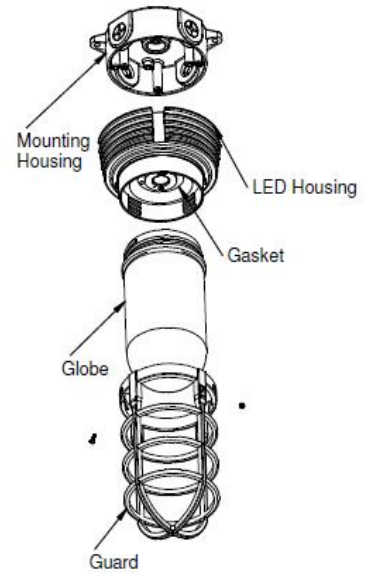
Wiring Instructions

- CONNECT GROUND WIRE FROM POWER SUPPLY TO GROUND POST IN JUNCTION BOX
- Connect other wires as show in the wiring diagram below.

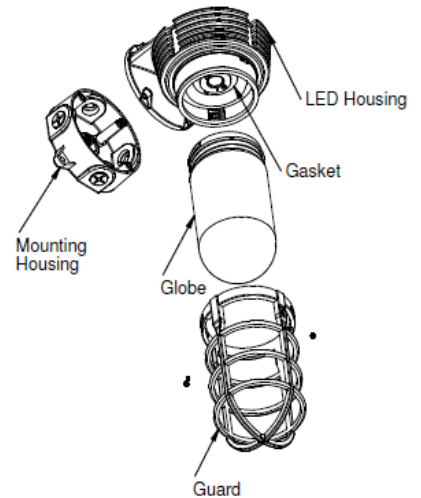
Globe and Guard Installation:

- Return all components to their original positions after wiring connections have been made. Prior to tightening all screws, make sure all wires are contained in wire ways and no wires are pinched.
- Before Globe is installed, check to make sure that gasket is placed in LED housing and gasket exists above threads on the Globe.
- Screw Globe onto fixture, do not over tighten but be sure that the gaskets are being compressed.
- Place guard over the lens, rotate clockwise and secure with set screws.
- Turn on power.

NOTE: Make sure all gaskets are positioned correctly with no gaps to ensure that leakage will not occur.



CEILING/PENDENT MOUNT



WALL MOUNT

