

PCOFL – 100 & 200

Read Thoroughly Before Installation

WARNING: Fixtures must be grounded and installed in accordance with the National Electric Code and all local codes. Failure to do so may increase the **RISK OF PERSONAL INJURY, PROPERTY DAMAGE, FIRE AND DEATH**. Install and use so fixture failures do not cause a hazard and use only in environments for which the product is specifically marked.

WARNING: This product contains chemicals known to the state of California to cause cancer, birth defects, and/or other reproductive harm. Thoroughly wash hands after installing, handling, cleaning, or otherwise touching this product.

WARNING: Dangerous voltage exist within the unit and all precautions usually observed in handling high voltage equipment should be observed when replacing light engine or otherwise servicing luminaires. Disregarding this warning could result in electrical shock and possible injury to the individual installing or servicing this equipment. Installation and servicing should be done by qualified personnel.

CAUTION: Follow ALL luminaire recommendations, product markings, instructions, restrictions and warnings regarding luminaire operation and burning position. Luminaire label shows electrical and environmental requirements and restrictions.

THIS PRODUCT MUST BE INSTALLED IN ACCORDANCE WITH THE APPLICABLE INSTALLATION CODE BY A PERSON FAMILIAR WITH THE CONSTRUCTION AND OPERATION OF THE PRODUCT AND THE HAZARDS INVOLVED

Turn off electric power to all affected circuits and allow to cool before servicing.

A regularly scheduled maintenance program should be established to retain optimum light output and reduce heat retention. Dusting with a soft, clean, dry cloth is normally sufficient for the optical system. Any accumulation of dust or dirt should be removed regularly.

Carefully read these instructions before installing product.

Give instructions to facility owner/manager for future reference.

Tools Required:

- ¾" Wrench or Socket
- Phillips Head Screwdriver

- Turn off power to electrical connections
- Wiring must be performed by a qualified electrician
- Make electrical connections according to the local and National Electric Codes
- Remove fixture from packaging along with hardware bag
- There are three wires coming out of this fixture:
 1. Black Wire – Line Voltage
 2. White Wire – Neutral
 3. Green Wire – Ground

Connect these wires to the supply wires using the wire nuts provided.

- Use a minimum of two 3/8" diameter bolts or one ¾" diameter bolt for mounting (Item 1 in Fig. 1)
- Once fixture is aimed at the desired, target, tighten the bolts on each side of the yoke (item 2 in Fig. 1)

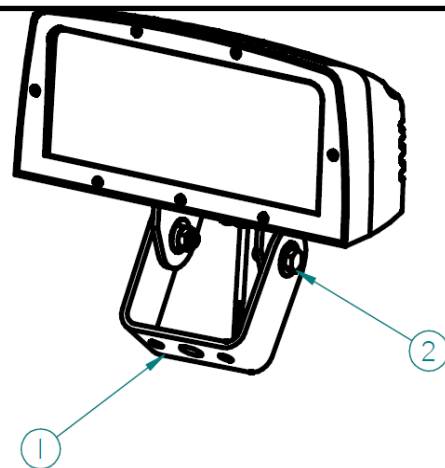


Fig. 1: Mounting the Fixture