

### MODELS:

#### 60W LED Wallpack

### Model number parameter list:

Item	Model	Input Voltage	Power Factor	Watt	Input Current	Weight
A	60W Wallpack	100-277V AC	>0.9	60W	0.65A	4.1Kg

CAUTION: This product uses input 100-277VAC driver of wide range voltage, but the actual working voltage depends on the input voltage of the photocell that installed on the product. Normally the input voltage of photocell is 120V/208V/240V/277V single range, and also have 120-277VAC wide range. Please pay attention when installation



### 1. Introduction

- This LED Wall-Packs light uses the latest in solid state lighting technology for long life, low maintenance, and high efficiency.
- The same as traditional HID lighting, it could be mounted a standard photocell on the enclosure, to make it completely suitable for street lighting.
- An internal power-factor-corrected switch-mode supply allows it to be used from any nominal 100V-277V, 60Hz AC supply without any variation in light output.
- Suitable for use in the following locations:
  - Ambient Temp: -30~+40°C
  - Wet Locations

**Note:** Save these instructions for future reference.

### 2. Install Guidelines

#### **Warning:**

To avoid the risk of fire, explosion, or electric shock, this product should be installed, inspected, and maintained by a qualified electrician only, in accordance with all applicable electrical codes.

**Warning:**

To avoid electric shock:

- Be certain electrical power is OFF before and during installation and maintenance.
- Luminaire must be connected to a wiring system with an equipment-grounding conductor.

**Warning:**

To avoid explosion:

- Make sure the supply voltage is the same as the rated luminaire voltage.
- Do not install where marked operating temperatures exceed the ignition temperature of the hazardous atmosphere.
- Do not operate in ambient temperatures above those indicated on the luminaire nameplate.
- Keep lens tightly closed when in operation.

For supply connections use wire rated for at least 90°C

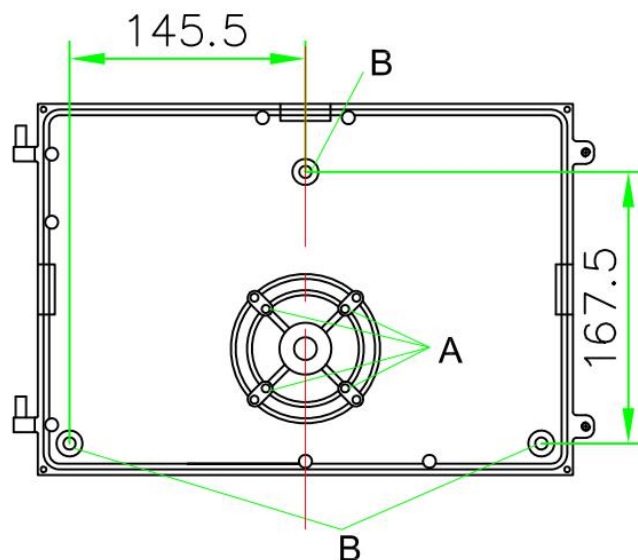
**Installation:****1. Wall Mount Installation**

FIG.1

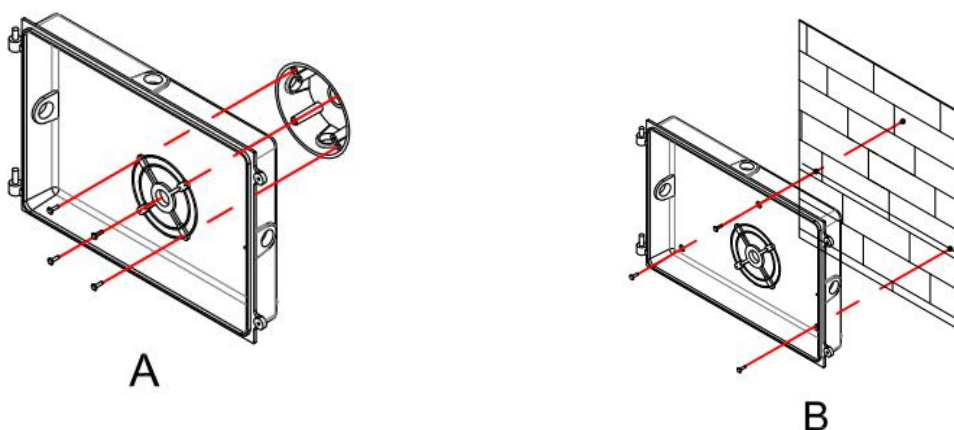


FIG.2

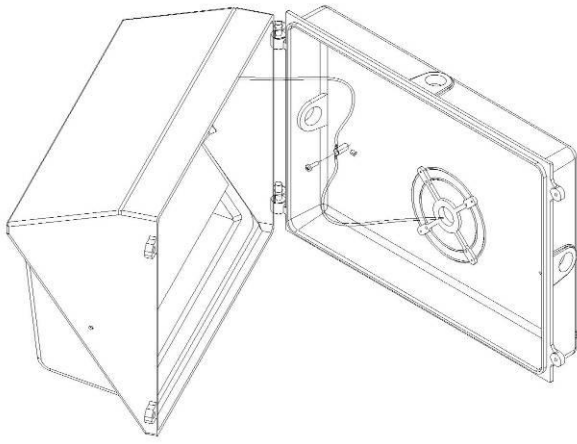


FIG.3

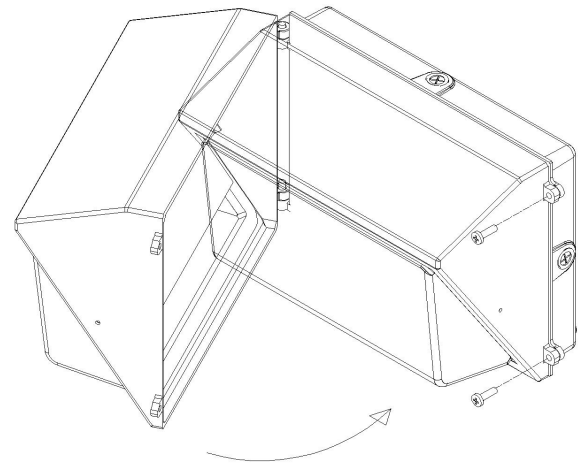


FIG.4

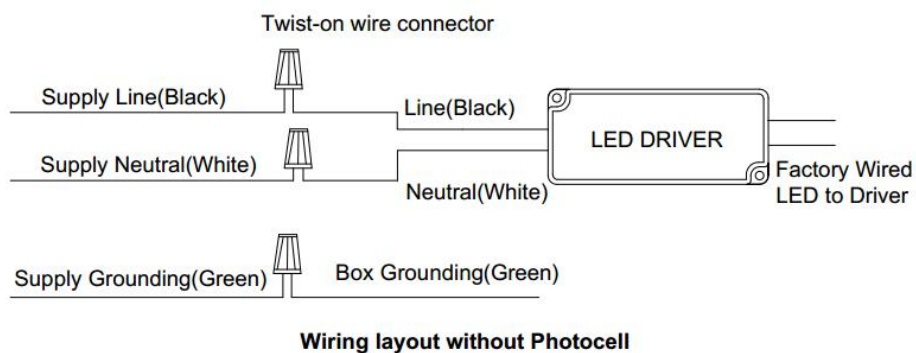


FIG.5

**Step 1**

Open the back box by using philips screw driver (FIG.2), refer to size of the diagram to bore the holes on the wall(FIG.1).

**Step 2**

screw the two green/yellow grounding cord to the position which indicated "GR"(FIG.3)

**Step 3**

Install the rear cover on the wall, connect the cable refer to the circuit diagram(FIG.5)

**Step 4**

Tighten enclosure screws to seal fixture. (FIG.4)

**After installation, please**

- check whether the lighting fixture is firmly fixed.
- check whether wires are connected correctly.

At last, turn on the power, and check if the lighting fixture works well. If not, please turn off the power and contact with local dealer.

**Warning: the luminaire shall be installed by qualified electrician.**