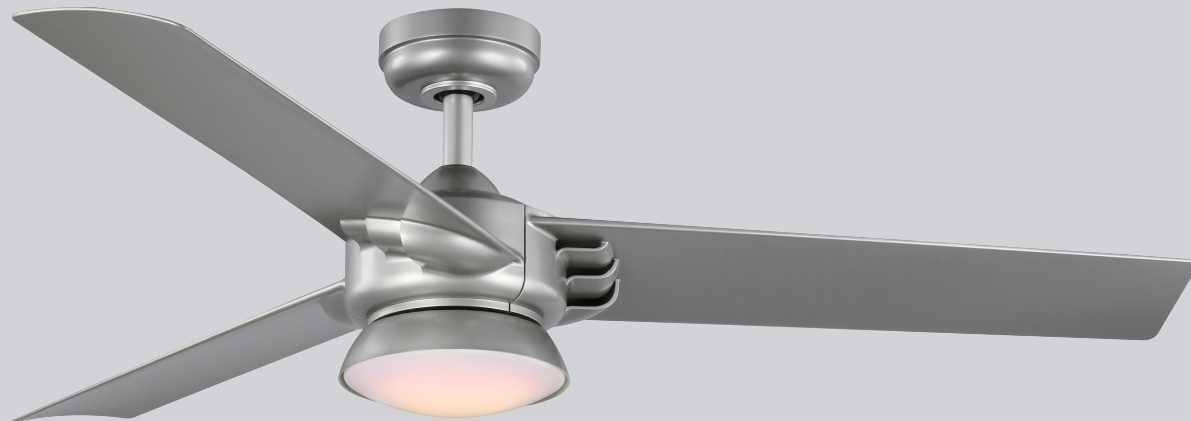




## Ceiling Fan Installation Manual



93133626\_C

**P250062**

# Limited Lifetime Warranty

Progress Lighting fan motors are warranted to the original purchaser to be free of electrical and/or mechanical defects for so long as the original purchaser owns the fan. Pull chain switches, reverse switches, capacitors and metal finishes are warranted to be free from defects in materials or workmanship for a period of 1 year from the date of purchase. Warping of wooden or plastic blades is not covered by this warranty nor is corrosion and/or deterioration of any finishes for fans installed within ten miles of any sea coast. Extended warranties for ENERGY STAR® qualified products may apply.

Progress Lighting ceiling fans with built-in LED light sources, when properly installed and under normal conditions of use, are warranted to be free from defects in material and workmanship which cause the light sources to fail to operate in accordance with the specifications for (i) five (5) years from the date of purchase on the LED Light modules and electrical components for fans used in single family residences, and (ii) three (3) years from the date of purchase on the LED Light modules and electrical components for fans used in multi-family or commercial applications. LED bulbs supplied by Progress Lighting carry no warranty other than manufacturer's warranty. Non-LED bulbs carry no warranty.

With proof of purchase, the original purchaser may return the defective fan to the place of purchase during the first 30 days for replacement. After 30 days, the original purchaser MUST contact Progress Lighting at (864) 678-1000 for repair or replacement which shall be determined in Progress Lighting's sole discretion and shall be purchaser's sole and exclusive remedy.

Labor and Shipping Excluded. This warranty does not cover any costs or fees associated with the labor (including, but not limited to, electrician's fees) required to install, remove, or replace a fan or any fan parts.

This warranty shall not apply to any loss or damage resulting from (i) normal wear and tear or alteration, misuse, abuse or neglect, or (ii) improper installation, operation, repair or maintenance by original purchaser or a third party, including without limitation improper voltage supply or power surge, use of improper parts or accessories, unauthorized repair (made or attempted) or failure to provide maintenance to the fan.

THE FOREGOING WARRANTIES STATE PROGRESS LIGHTING'S ENTIRE WARRANTY OBLIGATION AND ORIGINAL PURCHASER'S SOLE AND EXCLUSIVE REMEDY RELATED TO SUCH PRODUCTS. PROGRESS LIGHTING IS NOT RESPONSIBLE FOR DAMAGES (INCLUDING INDIRECT, SPECIAL, INCIDENTAL OR CONSEQUENTIAL), DUE TO PRODUCT FAILURE, WHETHER ARISING OUT OF BREACH OF WARRANTY, BREACH OF CONTRACT, OR OTHERWISE. THIS WARRANTY IS GIVEN IN LIEU OF ALL OTHER WARRANTIES, WHETHER EXPRESSED OR IMPLIED, INCLUDING THOSE OF MERCHANTABILITY, FITNESS FOR A PARTICULAR PURPOSE OR NONINFRINGEMENT.

Some states do not allow limitations on how long an implied warranty lasts or the exclusion or limitations of incidental or consequential damages, so the above limitations and exclusions may not apply to you. This warranty gives you specific rights and you may have other rights which vary from state to state.

Date Purchased \_\_\_\_\_

Store Purchased \_\_\_\_\_

Model No. \_\_\_\_\_

Serial No. \_\_\_\_\_

Vendor No. \_\_\_\_\_ 126900

785247249367

785247249374

UPC  785247249381 \_\_\_\_\_





Safety Rules.....	1.
Unpacking Your Fan .....	2.
Installing Your Fan .....	3.
Operating Your Transmitter .....	9.
Care of Your Fan .....	10.
Troubleshooting .....	11.
Specifications .....	12.

## *Table of Contents*

1. To reduce the risk of electric shock, ensure electricity has been turned off at the circuit breaker or fuse box before beginning.
2. All wiring must be in accordance with the National Electrical Code “ANSI/NFPA 70-1999” and local electrical codes. Electrical installation should be performed by a qualified licensed electrician.
3. The outlet box and support structure must be securely mounted and capable of reliably supporting a minimum of 35 lbs (15.9 kg) or less. Use only UL-listed outlet boxes marked “FOR FAN SUPPORT.”
4. The fan must be mounted with a minimum of 7 ft. (2.1m) clearance from the trailing edge of the blades to the floor.
5. Avoid placing objects in the path of the blades.
6. To avoid personal injury or damage to the fan and other items, be cautious when working around or cleaning the fan.
7. Do not use water or detergents when cleaning the fan or fan blades. A dry dust cloth or lightly dampened cloth will be suitable for most cleaning.
8. After making electrical connections, spliced conductors should be turned upward and pushed carefully up into the outlet box. The wires should be spread apart with the grounded conductor and the equipment-grounding conductor on one side of the outlet box and ungrounded conductor on the other side of the outlet box.
9. All set screws must be checked and retightened where necessary before installation.
10. This device complies with Part 15 of the FCC Rules. Operation is subject to the following two conditions:
  - (1) This device may not cause harmful interference, and (2) this device must accept any interference received, including interference that may cause undesired operation. Please note that changes or modifications not expressly approved by the party responsible for compliance could void the user's authority to operate the equipment.

**Note:** This equipment has been tested and found to comply with the limits for Class B digital device, pursuant to part 15 of the FCC Rules. These limits are designed to provide reasonable protection against harmful interference in a residential installation. This equipment generates, uses and can radiate radio frequency energy and, if not installed and used in accordance with the instructions, may cause harmful interference to radio or television reception, which can be determined by turning the equipment off and on, the user is encouraged to try to correct the interference by one or more of the following measure.

  - Reorient or relocate the receiving antenna.
  - Increase the separation between the equipment and the receiver.
  - Connect the equipment into an outlet on a circuit different from that to which the receiver is connected. Consult the dealer or an experienced radio/TV technician for help.

#### WARNING

TO REDUCE THE RISK OF PERSONAL INJURY, DO NOT BEND THE BLADE ARMS (ALSO REFERRED TO AS FLANGES), WHEN INSTALLING THE BRACKETS, BALANCING THE BLADES OR CLEANING THE FAN. DO NOT INSERT FOREIGN OBJECTS IN BETWEEN ROTATING FAN BLADES.

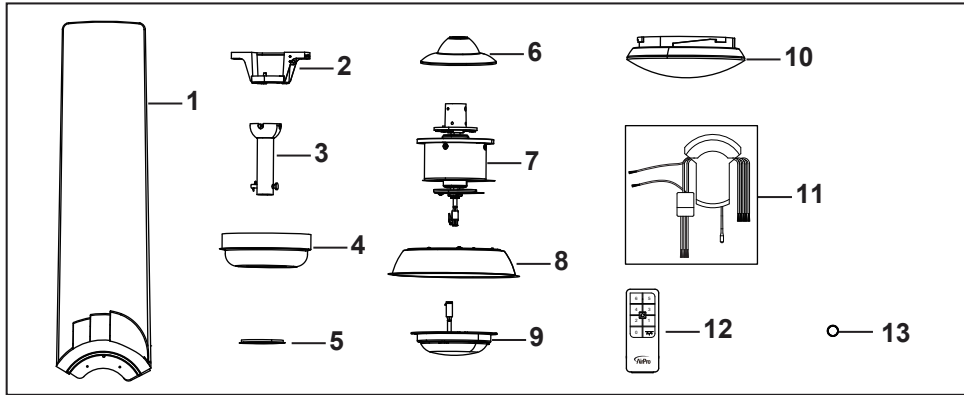
#### WARNING

TO REDUCE THE RISK OF FIRE, ELECTRIC SHOCK, OR OTHER PERSONAL INJURY, MOUNT FAN ONLY ON AN OUTLET BOX OR SUPPORTING SYSTEM MARKED ACCEPTABLE FOR FAN SUPPORT OF 35 LBS (15.9 KG) OR LESS AND USE MOUNTING SCREWS PROVIDED WITH THE OUTLET BOX. MOST OUTLET BOXES COMMONLY USED FOR THE SUPPORT OF LIGHTING FIXTURES ARE NOT ACCEPTABLE FOR FAN SUPPORT AND MAY NEED TO BE REPLACED. CONSULT A QUALIFIED ELECTRICIAN IF IN DOUBT.

#### NOTE

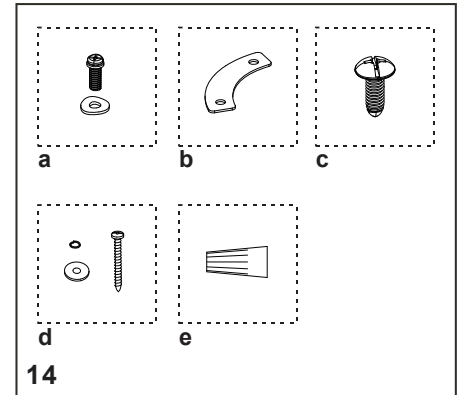
READ AND SAVE THESE INSTRUCTIONS

# 1. Safety Rules



Unpack your fan and check the contents. You should have the following items:

- |                          |  |
|--------------------------|--|
| 1. Fan blades (3)        | 9. LED light kit                                 |
| 2. Hanger bracket        | 10. Shatterproof Cover                           |
| 3. Ball/downrod assembly | 11. Receiver with 6 wire nuts                    |
| 4. Canopy                | 12. Transmitter incl. holder + 2 mounting screws |
| 5. Decorative cover      | 13. 3V battery                                   |
| 6. Coupling cover        |  |
| 7. Fan motor assembly    |  |
| 8. Switch housing        |  |



14. Loose parts bag containing:
- a. Blade attachment hardware**  
(7 screws, 7 washers)
  - b. Metal bracket (3)**
  - c. Blade down-screw (7)**
  - d. Cable hardware**  
(1pc per item)
  - e. Mounting hardware**  
Wire nuts (4)

## *Unpacking Your Fan 2.*

## Tools Required

Phillips screw driver, straight slot screw driver, adjustable wrench, step ladder, and wire cutters.

## Mounting Options

If there isn't an existing UL listed mounting box, then read the following instructions. Disconnect the power by removing fuses or turning off circuit breakers.

Secure the outlet box directly to the building structure. Use appropriate fasteners and building materials. The outlet box and its support must be able to fully support the moving weight of the fan (at least 35 lbs). Do not use plastic outlet boxes.

### WARNING

TO REDUCE THE RISK OF FIRE, ELECTRIC SHOCK, OR OTHER PERSONAL INJURY, MOUNT FAN ONLY TO AN OUTLET BOX MARKED ACCEPTABLE FOR FAN SUPPORT AND USE THE MOUNTING SCREWS PROVIDED WITH THE OUTLET BOX. OUTLET BOXES COMMONLY USED FOR THE SUPPORT OF LIGHTING FIXTURES MAY NOT BE ACCEPTABLE FOR FAN SUPPORT AND MAY NEED TO BE REPLACED. CONSULT A QUALIFIED ELECTRICIAN IF IN DOUBT.

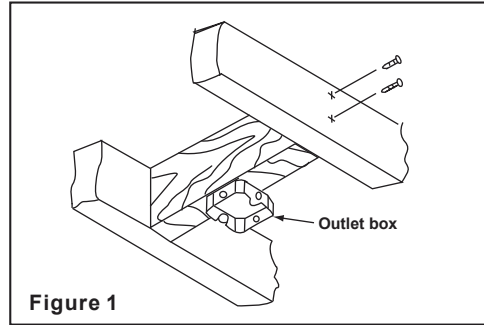


Figure 1

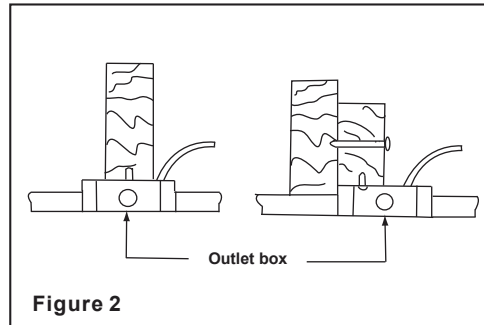


Figure 2

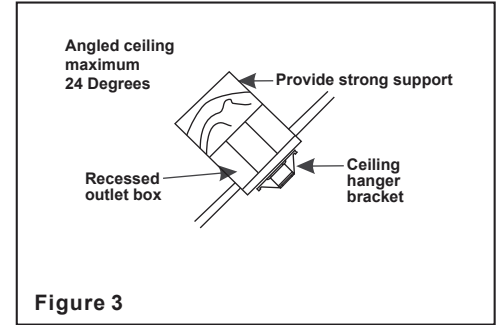


Figure 3

**Note:** You may need a longer downrod to maintain proper blade clearance when installing on a steep, sloped ceiling.

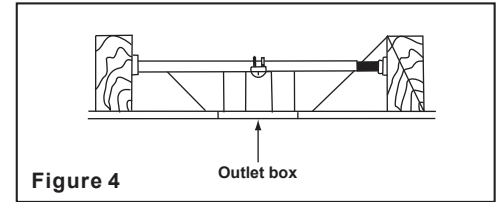


Figure 4

To hang your fan where there is an existing fixture but no ceiling joist, you may need an installation hanger bar as shown in Figure 4 (available at your Progress Lighting Retailer).

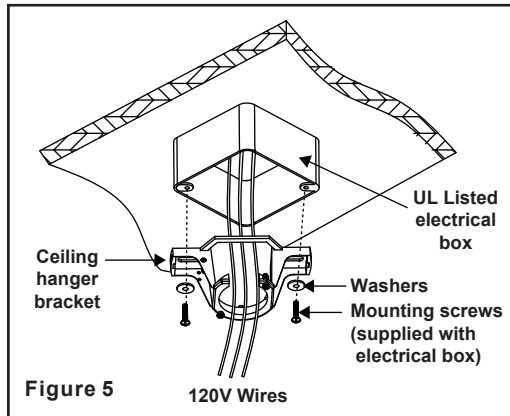
# 3. Installing Your Fan

## Hanging the Fan

**REMEMBER** to turn off the power. Follow the steps below to hang your fan properly:

**Step 1.** Pass the 120-volt supply wires through the center hole in the ceiling hanger bracket as shown in Fig. 5.

**Step 2.** Secure the hanger bracket to the ceiling outlet box with the screws and washers provided with your outlet box.



**WARNING**  
FAILURE TO PROPERLY INSTALL  
LOCKING PIN AS NOTED IN STEP 5  
COULD RESULT IN FAN LOOSENING AND  
POSSIBLY FALLING.

## Installing the Blades

**Step 1.** Attach the blades to the fan motor assembly using blade up-screws as shown in Figure 6. Start a screw into the blade, do not tighten. Repeat for the remaining screw and washer. Repeat these steps for the remaining blades.

**Step 2.** Attach the blade down—screws and the metal bracket (b) as shown in figures 7 and 7a. Make sure that each metal bracket is attached to two different blades as seen in figure 7a. Start a screw into the blade, do not tighten. Repeat for the remaining screws. Repeat these steps for the remaining screws and metal brackets.

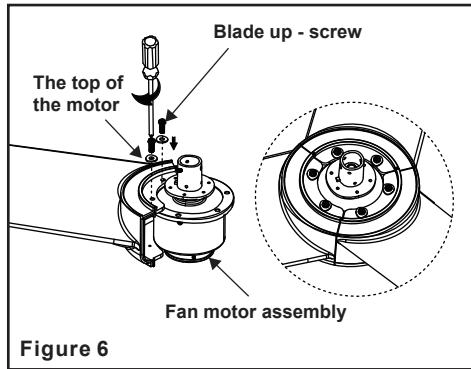


Figure 6

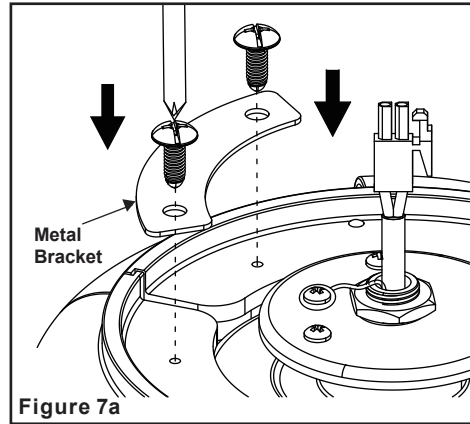


Figure 7a

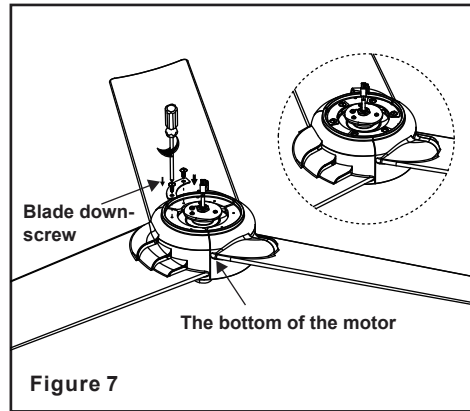


Figure 7

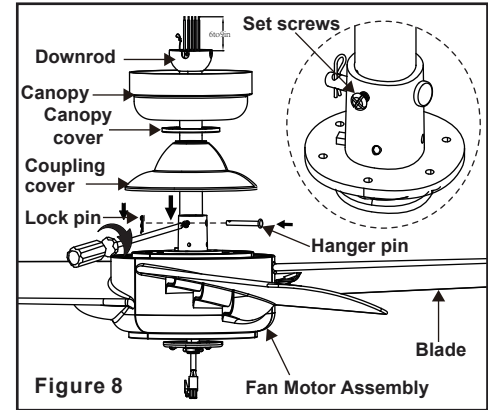
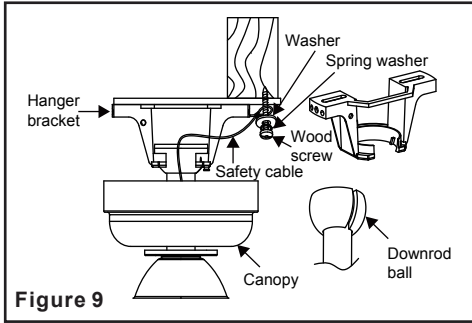


Figure 8

**Step 3.** Remove the hanger pin, lock pin and set screws from the top of the motor assembly. (Fig. 8)

**Step 4.** Route the wires exiting from the top of the fan motor through the coupling cover, canopy cover and canopy and then through the ball / downrod. (Fig. 8)

**Step 5.** Align the holes at the bottom of the downrod with the holes in the collar on top of the motor housing (Fig. 8). Carefully insert the hanger pin through the holes in the collar and downrod. Be careful not to jam the pin against the wiring inside the downrod. Insert the locking pin through the hole near the end of the hanger pin until it snaps into its locked position, and tighten set screws as noted in the circle inset of Fig 8. Cut off excess fixture wires leaving approximately 6 to 9 inches above top of hanger ball/downrod assembly.



**Figure 9**

**Step 4.** Place the downrod ball into the hanger bracket socket (Fig.9). Make sure the hanger ball is seated in the groove on the hanger bracket. Drive a wood screw and washers into the side of the brace that holds the outlet box. Leave 3mm (1/8") of space between the support brace and the washer. Insert the safety cable through the hanger bracket and one of the holes in the outlet box into the ceiling. Adjust the length of the safety cable to reach the screw and washers by pulling the extra cable through the cable clamp until the overall length is correct, put the end of the cable back through the cable clamp, forming a loop at the end of the cable. Tighten the cable clamp securely. Now, put the loop in the end of the safety cable over the wood screw and under the washer. Tighten the wood screw securely.(Figure 9)

## Making the Electrical Connections

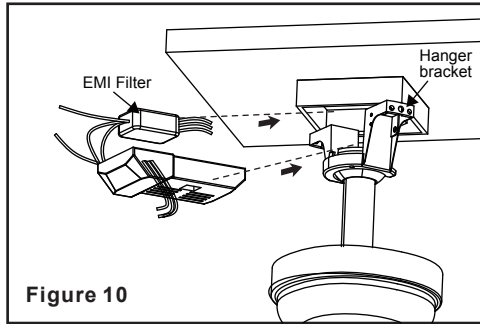
### NOTE

**TO AVOID POSSIBLE ELECTRICAL SHOCK, BE SURE ELECTRICITY IS TURNED OFF AT THE MAIN FUSE BOX BEFORE WIRING.**

### NOTE

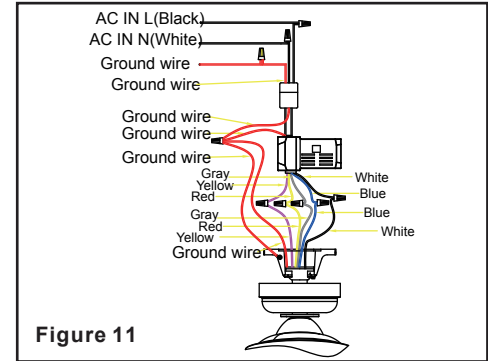
**FAN MUST BE INSTALLED AT A MAXIMUM DISTANCE OF 20 FEET FROM THE TRANSMITTING UNIT FOR PROPER SIGNAL TRANSMISSION BETWEEN THE TRANSMITTING UNIT AND THE FAN'S RECEIVING UNIT.**

If you feel you do not have enough electrical wiring knowledge or experience, have your fan installed by a licensed electrician.



**Figure 10**

Connect green wires from EMI Filter and related parts according to the wiring diagram as shown in Figure 11, make sure EMI Filter is properly seated in outlet box.



**Figure 11**

1. (Figure 10) Place the EMI filter into the ceiling box before installing the receiver into the bracket. Insert the receiver into the mounting bracket with the flat side of the receiver facing the ceiling.
2. (Figure 11) Motor to receiver electrical connections: Connect the grey wire from the fan to grey wire from the receiver. Connect the red wire from the fan to the red wire from the receiver. Connect the yellow wire from the fan to the yellow wire from the receiver. Connect the blue wire from the fan to the blue wire from the receiver. Connect the white wire from the fan to the white wire from the receiver. Secure the wire connections with the plastic wire connecting nuts provided.

- (Figure 11) Receiver to house supply wires electrical connections: Connect the black (hot) wire from the ceiling to the black wire marked "AC in L" from the receiver. Connect the white (neutral) wire from the ceiling to the white wire marked "AC in N" from the receiver. Secure the wire connections with the plastic wire connecting nuts provided.
- (Figure 11) If your outlet box has a ground wire (green or bare copper) connect it to the fan ground wires; otherwise connect the hanging bracket ground wire to the mounting bracket. Secure the wire connection with a plastic nut provided. After connecting the wires spread them apart so that the green and white wires are on one side of the outlet box and black and blue wires are on the other side. Carefully tuck the wire connections up into the outlet box.

## Finishing the Installation

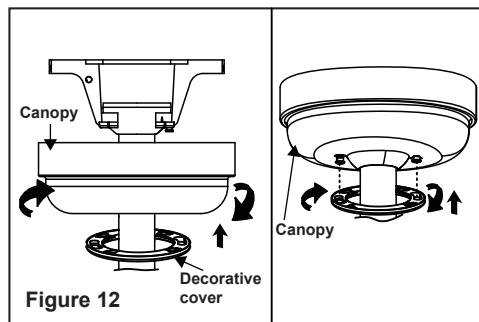
**Step 1.** Tuck connections neatly into ceiling outlet box.

**Step 2.** Slide the canopy up to mounting bracket and place the key hole on the canopy over the screw on the mounting bracket, turn canopy until it locks in place at the narrow section of the key holes. (Fig. 12)

**Step 3.** Align the circular hole on canopy with the remaining hole on the mounting bracket, secure by tightening the two set screws. Note: Adjust the canopy screws as necessary until the canopy and canopy cover are snug.

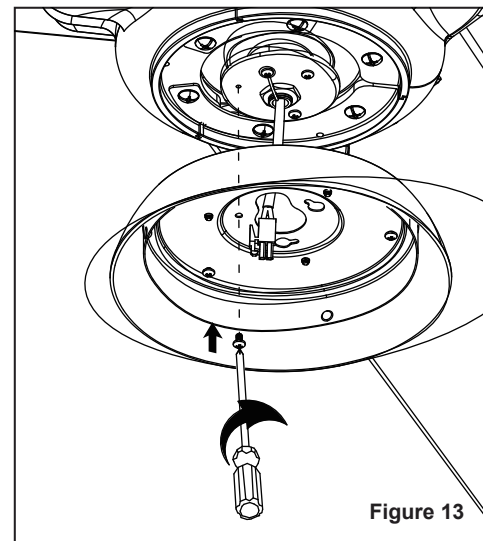
### WARNING

Make sure the notch on the hanging bracket properly sits in the groove in the hanger ball before attaching the canopy to the bracket by turning the housing until it drops into place.



## Installing the Switch Housing

Remove the screw marked with a dot label which preinstalled on mounting plate and keep for later use. Loosen the other two (do not remove). Place the two slot holes on the switch housing over the 2 screws previously loosened from the mounting plate. Rotate the switch housing until it locks in place at the narrow end of the key holes. Securely by tightening the 2 screws previously loosened and the one previously removed (Fig. 13).





# Blade Balancing

All blades are grouped by weight. The fan may wobble even though the blades are weighed equally.

The following procedure should correct most fan wobbling problems. Check after each step.

1. Check that all blade and blade arm screws are secure.
2. Most fan wobbling problems are caused when blade levels are unequal. Check this level by selecting a point on the ceiling above the tip of one of the blades. Measure this distance as shown in Figure 14. Rotate the fan until the next blade is positioned for measurement. Repeat for each blade. The distance deviation should be equal within 1/8".
3. Use the enclosed Blade Balancing Kit if the blade wobble is still noticeable.
4. If the blade wobble is still noticeable, interchanging two adjacent (side by side) blades can redistribute the weight and possibly result in smoother operation.

**WARNING**  
TO REDUCE THE RISK OF PERSONAL INJURY, DO NOT BEND THE BLADE HOLDERS WHILE INSTALLING, BALANCING THE BLADES, OR CLEANING THE FAN. DO NOT INSERT FOREIGN OBJECTS BETWEEN ROTATING FAN BLADES.

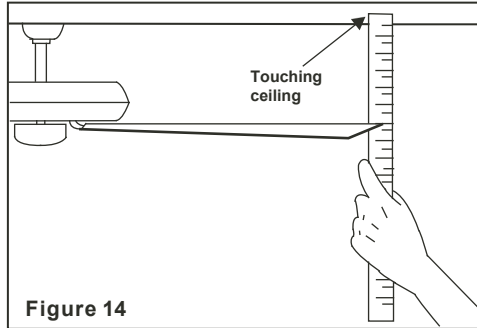


Figure 14

## Installing the Light Kit and Shatterproof Cover

**Note:** Before continuing installation, confirm that the power is still turned off at the main circuit breaker or by removing the the circuit fuse. Turning the power off using a wall switch is not sufficient to prevent electrical stock.

**Step 1.** Hold the light kit close to the switch housing and securely attach the 2-pin connectors. **Step 2.** Tuck the connections neatly into the light kit. Align three round holes on the light kit and switch housing. Securely tighten with 3 screws (Fig.15)

**Step 3.** Secure the Shatterproof Cover to the switch housing by twisting in a clockwise direction. Do not over-tighten(Fig.16).

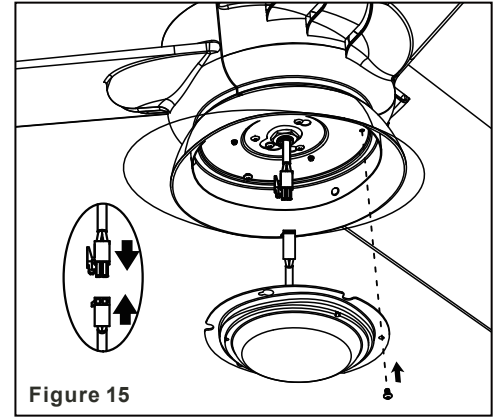


Figure 15

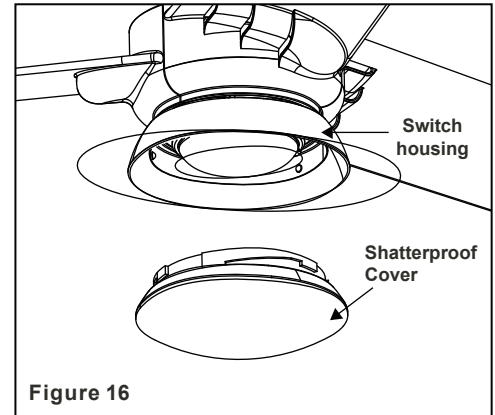


Figure 16

## Restore power to ceiling fan and test for proper operation.

1. “0 , 1 , 2 , 3 , 4 , 5 , 6” buttons:

These seven buttons are used to set the fan speed as follows:

0 = Turn the fan ON/OFF

1 = Minimum speed


2 = Low speed

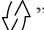
3 = Medium low speed

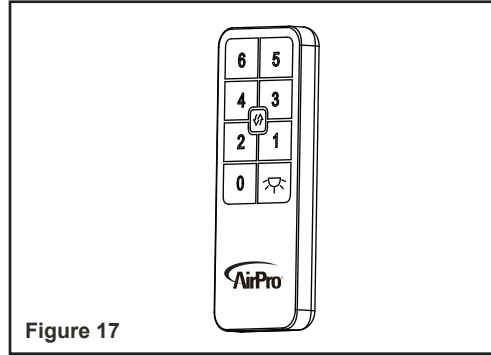
4 = Medium speed

5 = Medium high speed

6 = High speed

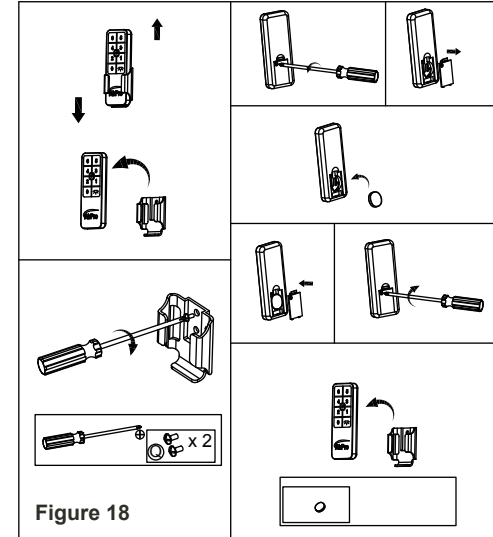
2. The “” button turns the light ON or OFF and also controls the brightness setting. Press and release the button to turn the light ON or OFF. Press and hold the button to set the desired brightness.

3. “” button: Reverse switch (control the direction)



## Installing the Remote Control Holder and Battery

Attach the remote control holder with the remote control holder mounting screw. (Figure 18)  
Install a 3V battery (included) into the remote control. To prevent damage to the remote control, remove the battery if not use for long periods. (Figure 18)

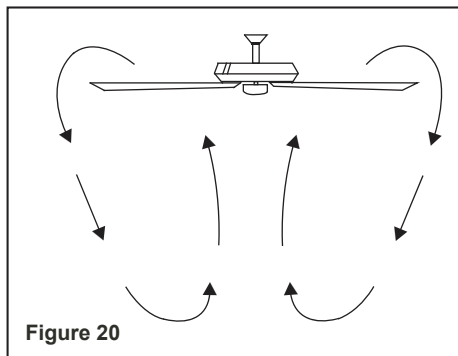
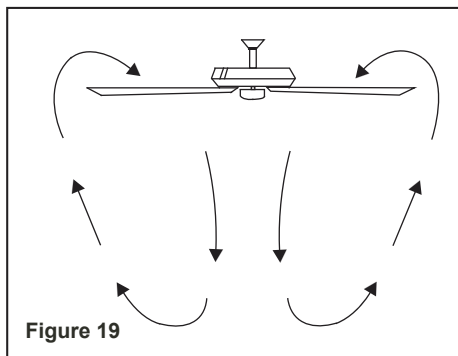


# 9. Operating Your Transmitter

Speed settings for warm or cool weather depend on factors such as the room size, ceiling height, number of fans, etc.

**Warm weather** - (Counter-Clockwise direction) A downward air flow creates a cooling effect.(Fig. 19) This allows you to set your air conditioner on a higher setting without affecting your comfort.

**Cool weather** - (Clockwise direction) An upward airflow moves warm air off the ceiling area. (Fig. 20) This allows you to set your heating unit on a lower setting without affecting your comfort.



Here are some suggestions to help you maintain your fan

1. Because of the fan's natural movement, some connections may become loose. **Check the support connections, brackets, and blade attachments twice a year.** Make sure they are secure. **(It is not necessary to remove fan from ceiling.)**
2. Clean your fan periodically to help maintain its new appearance over the years. Use only a soft brush or lint-free cloth to avoid scratching the finish. The plating is sealed with a lacquer to minimize discoloration or tarnishing. Do not use water when cleaning. This could damage the motor, or the wood, or possibly cause an electrical shock.
3. **There is no need to oil your fan.** The motor has permanently lubricated bearings.

**IMPORTANT**  
MAKE SURE THE POWER IS OFF AT THE ELECTRICAL PANEL BOX BEFORE YOU ATTEMPT ANY REPAIRS. REFER TO THE SECTION "MAKING ELECTRICAL CONNECTIONS".

## *Care of Your Fan 10.*

## Problem

## Solution

Fan will not start.

1. Check circuit fuses or breakers.
2. Check line wire connections to the fan and switch wire connections in the switch housing.  
**CAUTION:** Make sure main power is off.

Fan sounds noisy.

1. Make sure all motor housing screws are snug.
2. Make sure the screws that attach the fan blade bracket to the motor hub is tight.
3. Make sure wire nut connections are not rubbing against each other or the interior wall of the switch housing.  
**CAUTION:** Make sure main power is off.
4. Allow a 24-hour "breaking-in" period. Most noise associated with a new fan disappear during this time.
5. If using an optional light kit, make sure the screws securing the lampshade are tight.
6. Make sure the upper canopy is a short distance from the ceiling. It should not touch the ceiling.

Remote control  
malfunction

1. Do not connect the fan with wall mounted variable speed control (s).

# *11. Troubleshooting*

<b>Fan Size</b>	<b>Speed</b>	<b>Volts</b>	<b>Amps</b>	<b>Watts</b>	<b>RPM</b>	<b>CFM</b>	<b>N.W.</b>	<b>G.W.</b>	<b>C.F.</b>
<b>52"</b>	<b>Low</b>	<b>120</b>	<b>0.05</b>	<b>2.05</b>	<b>51</b>	<b>1631.89</b>	<b>12.34 lbs</b>	<b>15.21 lbs</b>	<b>2.34'</b>
	<b>High</b>	<b>120</b>	<b>0.29</b>	<b>18.77</b>	<b>173</b>	<b>5983.50</b>			

These are approximate measures. They do not include Amps and Wattage used by the light kit.

© 2019 Progress Lighting, Inc.  
701 Millennium Blvd.,  
Greenville, SC 29607  
All Rights Reserved

*Specifications 12.*

**PROGRESS**  
LIGHTING™

**AirPro®**

## Manual de Instalación del Ventilador de Techo



93133626\_C

**P250062**

# Garantía Limitada Vitalicia

Los motores de los ventiladores de Progress Lighting están garantizados al comprador original de estar libres de defectos eléctricos y/o mecánicos mientras el comprador original sea el propietario del ventilador. Se garantiza que los interruptores de cadena de tracción, los interruptores inversos, los condensadores y los acabados metálicos están libres de defectos en los materiales o la mano de obra durante un período de 1 año a partir de la fecha de compra. La deformación de las aspas de plástico o madera no está cubierta por esta garantía, así como tampoco la corrosión y/o el deterioro de los acabados en el caso de los ventiladores instalados dentro de un radio de 10 millas (16 km) de la costa del mar. Pueden corresponder garantías extendidas para los productos que cumplen con los requisitos de ENERGY STAR®.

Los ventiladores de techo Progress Lighting con fuentes de iluminación LED incorporadas, cuando se los instala debidamente y bajo condiciones de uso normales, están garantizados como libres de defectos de materiales y mano de obra que hacen que las fuentes de iluminación dejen de funcionar de acuerdo con las especificaciones durante (i) cinco (5) años a partir de la fecha de compra para los módulos de luces LED y los componentes eléctricos para los ventiladores utilizados en residencias unifamiliares, y (ii) tres (3) años a partir de la fecha de compra para los módulos de luces LED y los componentes eléctricos para los ventiladores utilizados en aplicaciones comerciales o multifamiliares. Las bombillas LED suministradas por Progress Lighting no tienen otra garantía que la del fabricante. Las bombillas sin LED no tienen garantía.

Con el comprobante de compra, el comprador original puede devolver el ventilador defectuoso al lugar de compra durante los primeros 30 días para su sustitución. Después de 30 días, el comprador original DEBE contactar a Progress Lighting al (864) 678-1000 para su reparación o reemplazo, lo cual será determinado a discreción de Progress Lighting y será el único y exclusivo remedio del comprador.

Se excluye la mano de obra y el transporte. Esta garantía no cubre los costos o cargos asociados con la mano de obra (incluidos, entre otros, los honorarios del electricista) necesaria para instalar, quitar o reemplazar el ventilador o cualquiera de sus partes.

Esta garantía no se aplicará a ninguna pérdida o daño que resulte del (i) uso y desgaste normales o de una alteración, uso indebido o descuido, o de la (ii) instalación, operación, reparación o mantenimiento inadecuados por parte del comprador original o de un tercero, incluidos, entre otros, suministro de voltaje inadecuado o sobrecarga eléctrica, uso de piezas o accesorios inadecuados, reparación no autorizada (realizada o que se intentó realizar) o falta de mantenimiento al ventilador.

**LAS GARANTÍAS ANTERIORES ESTABLECEN LA OBLIGACIÓN DE GARANTÍA TOTAL DE PROGRESS LIGHTING Y EL ÚNICO Y EXCLUSIVO RECURSO DEL COMPRADOR ORIGINAL EN RELACIÓN CON DICHS PRODUCTOS. PROGRESS LIGHTING NO ASUME RESPONSABILIDAD POR DAÑOS (INCLUIDOS INDIRECTOS, ESPECIALES, INCIDENTALES O EMERGENTES), DEBIDO A FALLAS DEL PRODUCTO, YA SEA QUE SURJAN DEL INCUMPLIMIENTO DE LA GARANTÍA, DEL INCUMPLIMIENTO CONTRACTUAL O DE OTRO MODO. ESTA GARANTÍA REEMPLAZA CUALQUIER OTRA GARANTÍA, YA SEA EXPRESA O IMPLÍCITA, INCLUSO AQUELLAS DE COMERCIABILIDAD, IDONEIDAD PARA UN FIN EN PARTICULAR O NO INCUMPLIMIENTO.**

Algunos países no permiten limitaciones en cuanto a la duración de una garantía implícita o la exclusión o las limitaciones de los daños incidentales o consecuentes, por lo que es posible que las limitaciones y exclusiones anteriores no se apliquen en su caso. La presente garantía le otorga derechos específicos y es posible que usted tenga otros derechos que varían según el país.

Fecha de compra \_\_\_\_\_

Origen de la venta \_\_\_\_\_

Modelo N°: \_\_\_\_\_

N° de Serie. \_\_\_\_\_

N° acreedor 126900

785247249367

785247249374

UPC  785247249381



Normas de Seguridad.....	1.
Desempaquetando el Ventilador .....	2.
Cómo Instalar el Ventilador .....	3.
Cómo controlar el Ventilador Remotamente.....	9.
Cuidando del ventilador .....	10.
Solución de problemas .....	11.
Especificaciones. ....	12.



1. Para reducir el riesgo de una descarga eléctrica, asegúrese de que la electricidad se haya apagado en el cortacircuitos o en la caja de fusibles antes de empezar.
2. Todo cableado debe realizarse conforme al Código Eléctrico Nacional y los códigos eléctricos locales. La instalación eléctrica debe ser realizada por un electricista cualificado y autorizado.
3. La caja de distribución y la estructura de soporte deben estar montados de manera segura con capacidad para soportar, de manera estable, un mínimo de 15,9 kilogramos. Utilice solamente cajas de distribución listadas por UL, marcadas "PARA SOPORTE DE VENTILADORES".
4. EL ventilador debe estar montado con un mínimo de 2,1 metros de espacio libre desde el borde posterior de las aspas hasta el suelo.
5. Evite ni deje que se coloquen objetos que interfiera el giro de las aspas.
6. Para evitar lesiones personales o daños al ventilador y otros artículos, tenga cuidado cuando trabaje alrededor del ventilador o lo limpie.
7. No utilice agua o detergentes para limpiar el ventilador o las aspas del mismo. Un paño seco o ligeramente humedecido será adecuado para la mayoría de las limpiezas.
8. Después de hacer las conexiones eléctricas, los conductores empalmados deben ser girados hacia arriba y empujados cuidadosamente hacia arriba en la caja de distribución. Separe los cables de tal modo, que el conductor de tierra de la red y del ventilador se encuentren a un lado y el conductor de la fase al otro lado de la caja de distribución.
9. Todos los tornillos de fijación colocados se deben verificar y ajustar donde sea necesario antes de la instalación.
10. Este dispositivo cumple con la sección 15 de los reglamentos de la FCC. Su funcionamiento está sujeto a las dos condiciones siguientes:
  - (1) Este dispositivo no puede causar interferencias perjudiciales, y (2) este dispositivo debe aceptar cualquier interferencia recibida, incluida la interferencia que pueda causar un funcionamiento no deseado. Tenga en cuenta que los cambios o modificaciones no expresamente aprobados por el fabricante podrían anular la autorización del usuario para utilizar el equipo.

Nota: Se ha comprobado que este equipo cumple los límites para dispositivos digitales de clase B, de acuerdo con el apartado 15 de las normas de la FCC. Estos límites fueron establecidos para dar protección razonable contra la interferencia dañina en uso residencial. Este equipo genera, utiliza y puede irradiar energía de radiofrecuencia y, si no se instala y utiliza de acuerdo con las instrucciones, puede causar interferencias perjudiciales en la recepción de radio o televisión, lo que puede determinarse apagando y encendiendo el equipo. El usuario puede intentar corregir la interferencia mediante una o más de las siguientes maneras:

  - Reorientar o reubicar la antena receptora.
  - Aumentar la separación entre el equipo y el receptor.
  - Conecte el equipo en una toma de corriente de un circuito diferente al que está conectado el receptor. Consulte al distribuidor o a un técnico de radio/TV experimentado para obtener ayuda.

#### **ADVERTENCIA**

PARA REDUCIR EL RIESGO DE LESIONES, NO DOBLAR LOS SOPORTES DE LAS ASPAS (PESTAÑAS) DURANTE EL ENSAMBLAJE DESPUÉS DE LA INSTALACIÓN. NO COLOQUE OBJETOS QUE INTERCEPTE EL TRAYECTO DE LAS ASPAS.

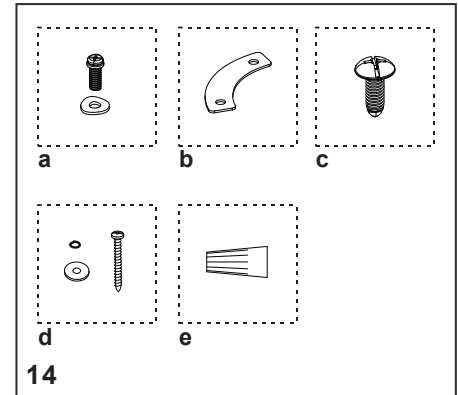
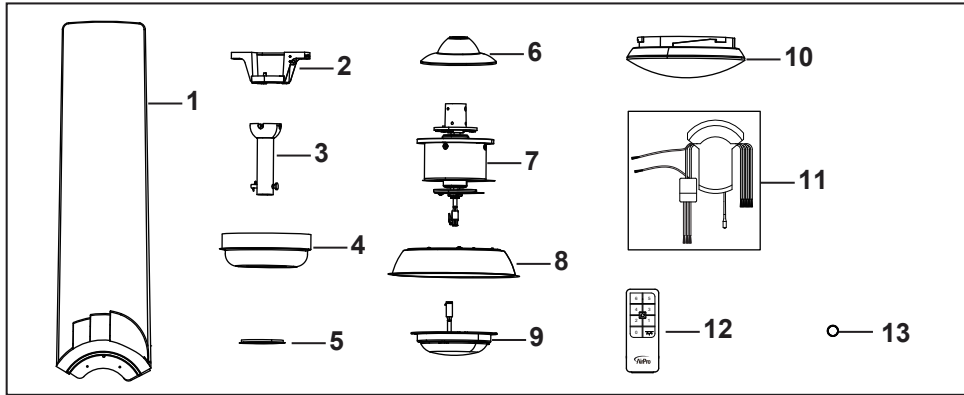
#### **ADVERTENCIA**

PARA REDUCIR EL RIESGO DE INCENDIO, DESCARGA ELÉCTRICA U OTRAS LESIONES PERSONALES, INSTALE EL VENTILADOR SÓLO EN UNA CAJA DE DISTRIBUCIÓN O SISTEMA DE SOPORTE MARCADO COMO ACEPTABLE PARA EL SOPORTE DEL VENTILADOR DE UNOS 16 KG O MENOS Y UTILICE LOS TORNILLOS DE MONTAJE SUMINISTRADOS CON LA CAJA DE DISTRIBUCIÓN. LA MAYORÍA DE LAS CAJAS DE DISTRIBUCIÓN UTILIZADAS PARA SOPORTAR ACCESORIOS DE ILUMINACIÓN, NO SON APTAS PARA COLGAR UN VENTILADOR Y PODRÍA SER NECESARIO CAMBIARLAS. CONSULTE A UN ELECTRICISTA CUALIFICADO EN CASO DE DUDA.

#### **AVISO**

LEA Y GUARDE ESTAS INSTRUCCIONES

# *1. Normas de Seguridad*



Desempaque su ventilador y revise el contenido. Los siguientes componentes deberían encontrarse en el embalaje:

1. Las aspas del ventilador (3)
2. Soporte colgante
3. Ensamblaje de la tija
4. Florón superior
5. Chapa decorativa
6. Florón inferior
7. Ensamblaje del motor del ventilador
8. Caja de interruptores

9. Kit de luz LED
10. Tapa inastillable
11. Receptor con 6 tuercas para cables
12. El transmisor que incluye un soporte + 2 tornillos de montaje
13. Batería de 3 V

14. Bolsa de partes sueltas que contiene:
  - a. **Piezas metálicas para el acoplamiento de las aspas**  
(7 tornillos, 7 arandelas)
  - b. **Abrazadera metálica de montaje (3)**
  - c. **Perno inferior del aspa (7)**
  - d. **Piezas metálicas del cable**  
(1 juego por cable)
  - e. **Piezas metálicas de montaje**  
Tuercas para cables (4)

## *Desempaquetando el Ventilador 2.*

## Herramientas necesarias

Destornillador Phillips, destornillador de ranura recta, llave ajustable, escalera de mano y cortaalambres.

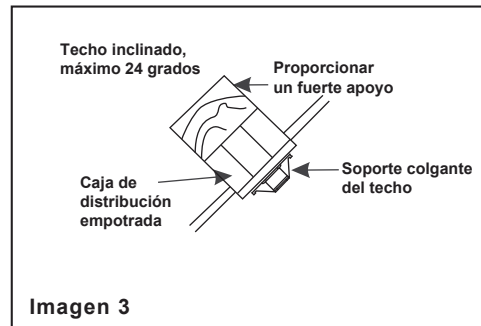
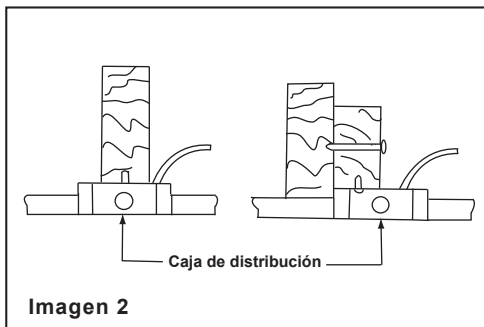
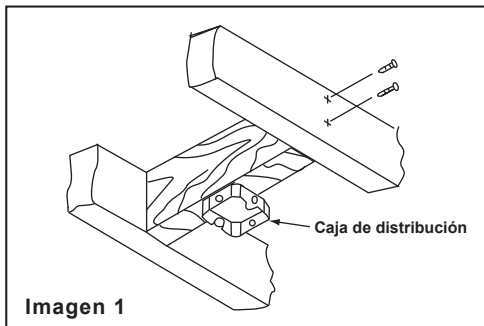
## Opciones de Montaje

Si no existe una caja de montaje homologada por UL, lea las siguientes instrucciones. Desconecte la corriente quitando los fusibles o apagando en los cortacircuitos.

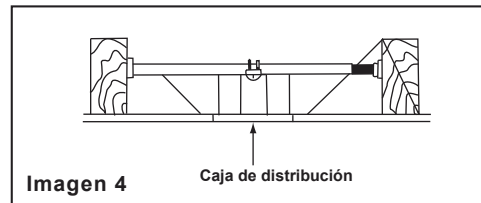
Asegure la caja de distribución directamente a la estructura del edificio. Utilice fijaciones y materiales de construcción apropiados. La caja eléctrica y su soporte deben ser capaces de soportar completamente el peso (16 Kg mínimamente) en movimiento del ventilador. No utilice cajas de distribución de plástico.

### ADVERTENCIA

PARA REDUCIR EL RIESGO DE INCENDIO, DESCARGA ELÉCTRICA U OTRAS LESIONES PERSONALES, MONTE EL VENTILADOR SÓLO EN UNA CAJA DE DISTRIBUCIÓN MARCADA COMO ACEPTABLE PARA EL SOPORTE DEL VENTILADOR Y UTILICE LOS TORNILLOS DE MONTAJE SUMINISTRADOS CON LA CAJA DE DISTRIBUCIÓN. LAS CAJAS DE DISTRIBUCIÓN QUE SE UTILIZAN COMÚNMENTE PARA EL APOYO DE LOS ACCESORIOS DE ILUMINACIÓN PUEDEN NO SER ACEPTABLES PARA EL APOYO DE LOS VENTILADORES Y PUEDE SER NECESARIO SUSTITUIRLAS. CONSULTE A UN ELECTRICISTA CUALIFICADO EN CASO DE DUDA.



**Nota:** Puede que necesite una tija más larga para mantener la distancia adecuada de el aspa cuando se instale en un techo empinado e inclinado.



Para colgar el ventilador en un lugar donde ya existe un accesorio, pero no hay una viga en el techo, es posible que necesite una barra de suspensión de instalación como la que se muestra en la Imagen 4 (disponible en su distribuidor Progress Lighting).

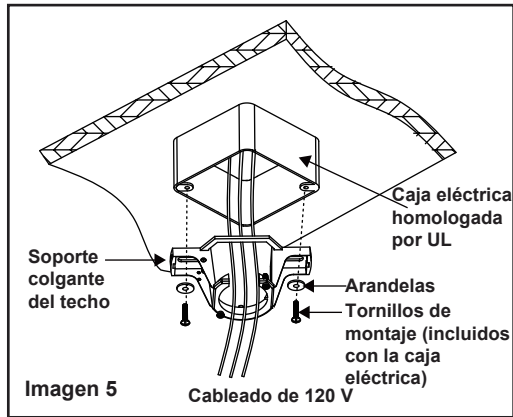
# 3. Cómo Instalar el Ventilador

## Instalación del Ventilador

RECUERDE desconectar/apagar la corriente.  
Siga los siguientes pasos para colgar el ventilador correctamente:

**Paso 1.** Pase los cables de suministro de 120 voltios a través del agujero central del soporte colgante del techo como se muestra en la Imagen 5.

**Paso 2.** Asegure el soporte colgante a la caja eléctrica del techo con los tornillos y arandelas que se suministran con la caja eléctrica.



### ADVERTENCIA

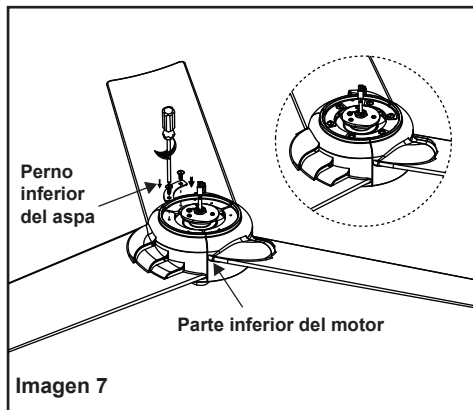
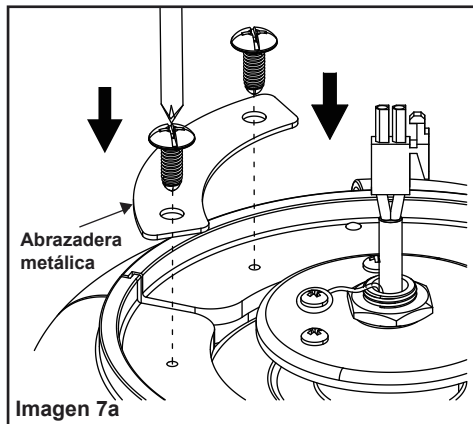
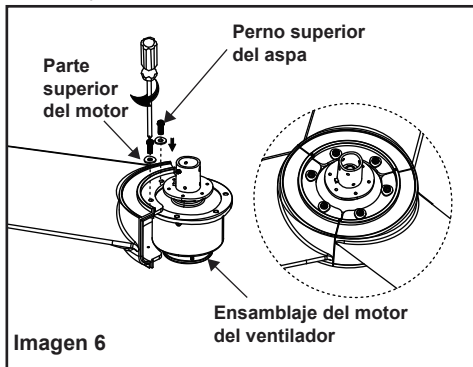
SI NO SE INSTALA CORRECTAMENTE EL PASADOR DE BLOQUEO COMO SE INDICA EN EL PASO 5, EL VENTILADOR PODRÍA AFLOJARSE Y CAER.

## Colocación de las Aspas

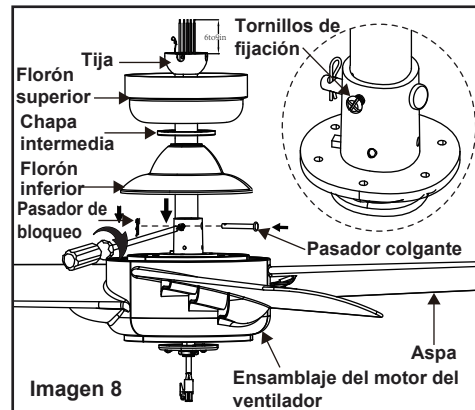
**Paso 1.** Fije las aspas al ensamblaje del motor del ventilador usando los pernos superiores en las aspas como se muestra en la Imagen 6.

Empiece a atornillar el aspa, pero sin apretarla con fuerza. Repita el mismo proceso con los tornillos y las arandelas restantes. Repita estos pasos para el resto de las aspas.

**Paso 2.** Fijar el aspa con los pernos y la abrazadera metálica como se muestra en la imagen 7 y 7a. Asegúrese de que cada abrazadera metálica está fijada a dos aspas diferentes como se ve en la imagen 7a. Empiece a atornillar el aspa pero sin apretarla con fuerza. Repita el mismo proceso con los tornillos restantes. Repita estos pasos para los tornillos y abrazaderas metálicas restantes.



**Paso 3.** Quite el pasador de soporte, el pasador de bloqueo y los tornillos de fijación de la parte superior del ensamblaje del motor. (Imagen 8)



**Paso 4.** Pase los cables que salen de la parte superior del motor del ventilador a través del florón inferior, el florón superior (cobertor) y la chapa decorativa y luego a través de la tija. (Imagen 8)

**Paso 5.** Alinee los orificios de la parte inferior de la tija con los orificios del florón inferior en la parte superior de la carcasa (alojamiento) del motor (Imagen 8). Inserte cuidadosamente el pasador del soporte a través de los agujeros del florón inferior y la tija. Tenga cuidado de no atascar el pasador contra el cableado dentro de la tija. Inserte el pasador de bloqueo a través del agujero cerca del extremo del pasador de soporte hasta que encaje en su posición de bloqueo, y aprete bien los tornillos de presión como se indica en el círculo de la Imagen 8. Corte el exceso de cables de la sujeción, dejando aproximadamente 15,30 a 22,90 cm por encima de la parte superior de la tija con bola de suspensión.

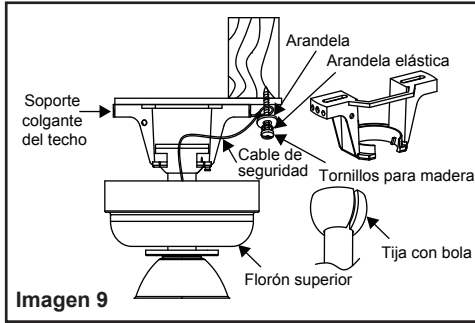


Imagen 9

**Paso 4.** Coloque la bola de la tija en la glena del soporte colgante (Imagen 9). Asegúrate de que la bola de suspensión esté asentada en la ranura del soporte colgante. Atornille un tornillo para madera con arandelas al lado del soporte/abrazadera que sujeta la caja de distribución. Deje 3 mm de espacio entre el soporte y la arandela. Inserte el cable de seguridad a través del soporte colgante del techo y en uno de los agujeros de la caja de distribución en el techo. Ajuste la longitud del cable de seguridad para alcanzar el tornillo y las arandelas tirando del cable extra a través del sujetacables hasta que la longitud total sea correcta, vuelva a pasar el extremo del cable a través del sujetacables, formando un bucle (lazo) en el extremo del cable. Apriete bien el sujetacables de forma segura. Ponga el bucle formado (lazo) en el extremo del cable de seguridad sobre el tornillo para madera y por debajo la arandela. Apriete bien el tornillo para madera. (Imagen 9)

## Conexiones Eléctricas

### AVISO

PARA EVITAR ELECTROCUCIONES POTENCIALES, ASEGÚRESE DE QUE LA ELECTRICIDAD ESTÉ APAGADA EN LA CAJA DE FUSIBLES O EL PANEL DE INTERRUPTORES ANTES DEL ALAMBRADO.

### AVISO

EL VENTILADOR DEBE INSTALARSE A UNA DISTANCIA DE 6 METROS DE LA UNIDAD TRANSMISORA PARA UNA CORRECTA TRANSMISIÓN DE LA SEÑAL ENTRE LA UNIDAD TRANSMISORA Y LA UNIDAD RECEPTORA DEL VENTILADOR.

Si siente que no tiene suficiente conocimiento o experiencia en cableado eléctrico, pida o contrate a un electricista con licencia para que le instale el ventilador.

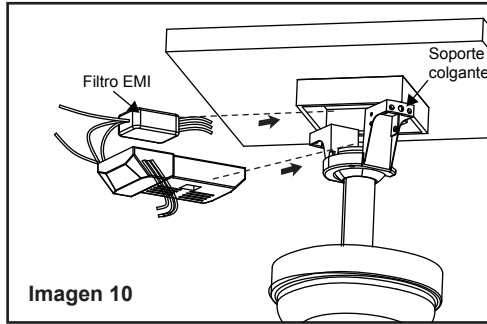


Imagen 10

Conecte los cables verdes del filtro EMI y las partes correspondientes según el diagrama de cableado como se muestra en la Figura 11, asegúrese de que el filtro EMI esté bien colocado en la caja de distribución.

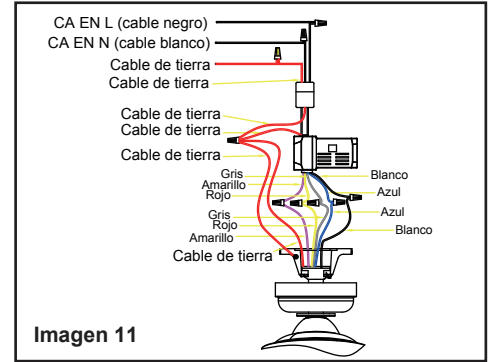


Imagen 11

- (Imagen 10) Placer le filtre EMI dans le boîtier du plafond avant d'installer le récepteur dans le support. Insérez le récepteur en el soporte de montaje con el lado plano del receptor mirando hacia el techo.
- (Imagen 11) Conexiones eléctricas del motor al receptor: Conecte el cable gris del ventilador al cable gris del receptor. Conecte el cable rojo del ventilador al cable rojo del receptor. Conecte el cable amarillo del ventilador al cable amarillo del receptor. Conecta el cable azul del ventilador al cable azul del receptor. Conecte el cable blanco del ventilador al cable blanco del receptor. Asegure las conexiones de los cables con las tuercas de conexión de cable de plástico suministradas.

3. (Imagen 11) Conexiones eléctricas del receptor a los cables de alimentación doméstica:: Conectar el cable negro (caliente) del techo al cable negro marcado "AC en L" del receptor. Conecta el cable blanco (neutro) proveniente del techo al cable blanco marcado "AC en N" del receptor. Asegure las conexiones de los cables con las tuercas de conexión de cable de plástico suministradas.
4. (imagen 11) Si su caja de distribución tiene un cable de tierra (verde o de cobre desnudo) conéctelo a los cables de tierra del ventilador; de lo contrario, conecte el cable de tierra del soporte colgante al soporte de montaje. Asegure la conexión de los cables con una tuerca de plástico proporcionada - Después de conectar los cables sepárelos para que los cables verde y blanco estén en un lado de la caja eléctrica y los cables negro y azul estén en el otro lado. Meta con cuidado las conexiones de los cables en la caja eléctrica.

## Terminando la instalación

**Paso 1.** Meta las conexiones ordenadamente en la caja de distribución del techo.

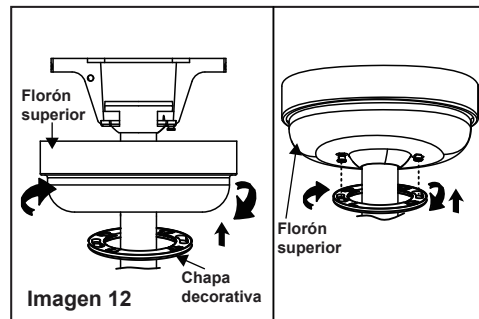
**Paso 2.** Deslice el florón superior hasta el soporte de montaje y coloque la ranura de bocallave en el florón superior sobre el tornillo del soporte de montaje, gire el florón superior hasta que se bloquee en su lugar en la sección estrecha de los agujeros de la llave. (Imagen 12)

7.

**Paso 3.** Alinee el agujero circular del florón superior con el agujero restante del soporte de montaje, asegúrelo apretando los dos tornillos de fijación. Nota: Ajuste los tornillos del florón superior según sea necesario hasta que el florón superior y la chapa decorativa estén ajustados.

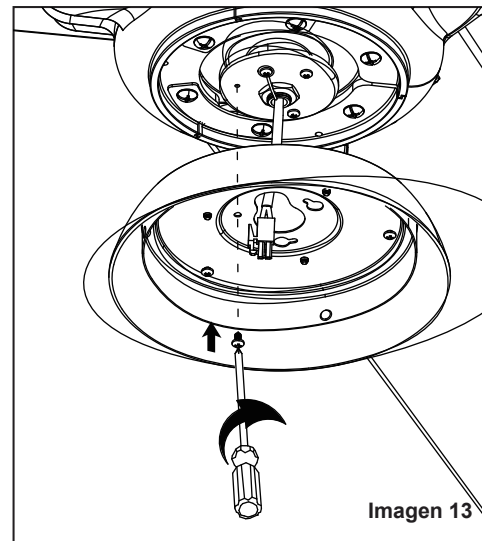
### ADVERTENCIA

Asegúrese de que la muesca del soporte colgante se asiente correctamente en la ranura de la bola de suspensión antes de fijar el florón superior al soporte, girando la carcasa hasta que caiga en su lugar.



## Instalación de la Caja de Interruptores

Retire el tornillo marcado con una etiqueta de puntos que se preinstala en la placa de montaje y guárdelo para su uso posterior. Afloje los otros dos (no los quite). Coloque los dos agujeros de la ranura de la caja del interruptor sobre los dos tornillos previamente aflojados de la placa de montaje. Gire la caja del interruptor hasta que se bloquee en el extremo estrecho de las ranuras de bocallave. Apriete los 2 tornillos previamente aflojados y el que fue previamente retirado (Imagen 13).

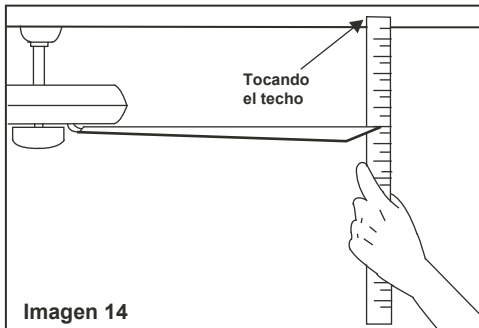


## Equilibrado de las Aspas

Todas las aspas están agrupadas por peso. El ventilador puede tambalearse, aunque las aspas pesen por igual. El siguiente procedimiento debería corregir la mayoría de los problemas de bamboleo del ventilador. Haga una comprobación después de cada paso.

1. Compruebe que todos los tornillos de las aspas y los soportes del aspa estén bien sujetos.
2. La mayoría de los problemas de tambaleo de los ventiladores se producen cuando los niveles de las aspas son desiguales. Compruebe un nivel seleccionando un punto en el techo por encima de la punta de una de las aspas. Mida la distancia como se muestra en la imagen 14. Gire el ventilador hasta que la siguiente aspa esté posicionada para medir la distancia Repita con cada aspa. La variación de las distancias no debe superar los 3 mm de margen.
3. Use el kit de equilibrado de aspas adjunto si el tambaleo de las aspas aún es notable.
4. Si continúa notando balanceo de las aspas, puede intercambiar dos aspas adyacentes (una al lado de la otra) para redistribuir el peso y así lograr un movimiento rotatorio más suave.

**ADVERTENCIA**  
PARA REDUCIR EL RIESGO DE LESIONES PERSONALES, NO DOBLE LOS SOPORTES DE LAS ASPAS AL INSTALAR, EQUILIBRAR LAS ASPAS O LIMPIAR EL VENTILADOR. NO INSERTE OBJETOS EXTRAÑOS ENTRE LAS ASPAS GIRATORIAS DEL VENTILADOR.



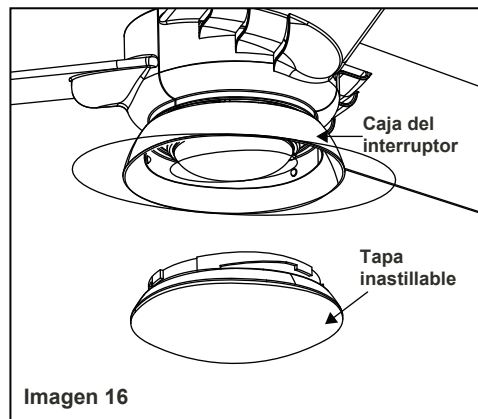
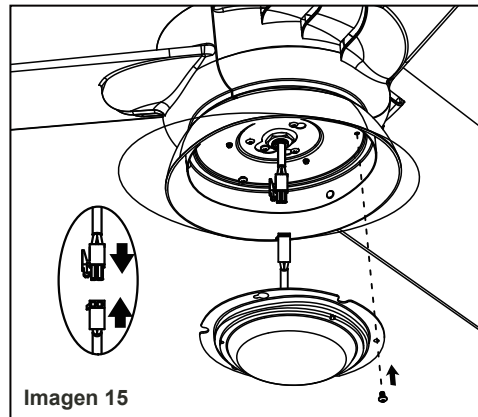
## Instalando el Kit de Luz y la Tapa Inastillable

Nota: Antes de continuar la instalación, confirme que la corriente sigue apagada en el interruptor principal o quite el fusible del circuito o apague el cortocircuito. Desconectar la corriente con un interruptor de pared no es suficiente para evitar que se produzcan descargas eléctricas.

**Paso 1.** Sostenga el kit de luces cerca de la caja del interruptor y fije firmemente los conectores de 2 pines.

**Paso 2.** Meta las conexiones ordenadamente en el kit de luz. Alinee tres agujeros redondos en el kit de luces y la caja del interruptor. Apriete firmemente con 3 tornillos (Imagen 15)

**Paso 3.** Fije la Tapa Inastillable a la caja del interruptor girando en el sentido de las agujas del reloj. No apriete demasiado (Imagen 16).





**Encienda la corriente al ventilador de techo y compruebe su correcto funcionamiento.**

1. Botones "0, 1, 2, 3, 4, 5, 6":

Estos siete botones se utilizan para ajustar la velocidad del ventilador como se indica a continuación:

0 = Encender y apagar el ventilador

1 = Velocidad mínima

2 = Velocidad baja

3 = Velocidad media baja

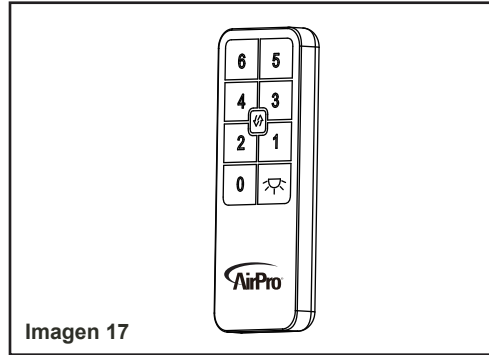
4 = Velocidad media

5 = Velocidad media alta

6 = Velocidad alta

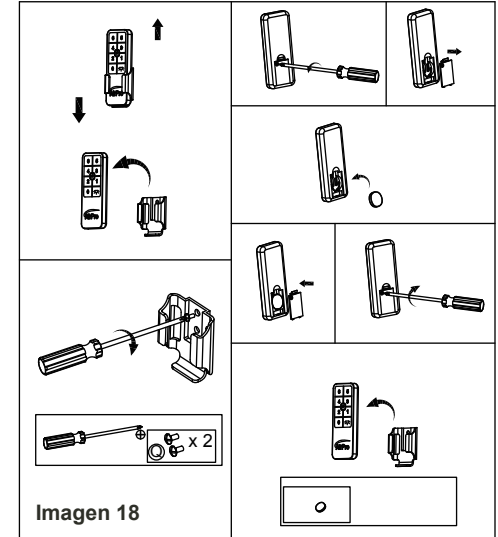
2. El botón "☀️" enciende o apaga la luz y también controla la selección del brillo. Presione y libere el botón para encender o apagar la luz. Mantenga pulsado el botón para ajustar el brillo deseado.

3. Botón "↶↷": Interruptor de retroceso (controla la dirección)



**Instalación del Soporte del Mando a Distancia y de la Batería**

Fije el soporte del control remoto con el tornillo de montaje para este soporte. (Imagen 18)  
Ponga una pila de 3V (incluida) en el mando a distancia. Para no dañar el mando a distancia en el caso de fugas, extraiga las pilas si no va a utilizarlo durante un tiempo prolongado. (Imagen 18)



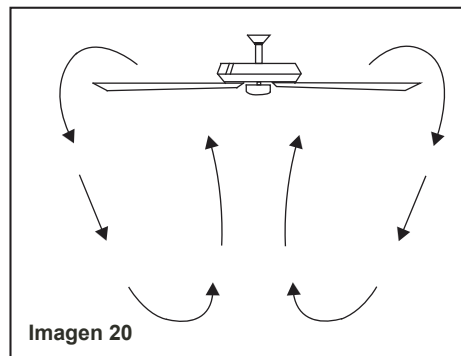
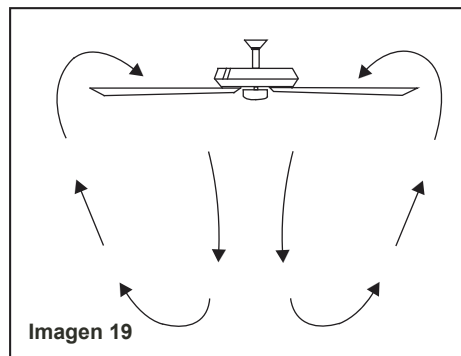
# 9. *Cómo controlar el Ventilador Remotamente*

Los ajustes de velocidad para clima cálido o frío dependen de factores como el tamaño de la habitación, la altura del techo, el número de ventiladores, etc.

**Clima cálido** - Avance (sentido anti horario) Un flujo de aire descendente crea un efecto de enfriamiento tal como se muestra en la Imagen 19.

Esto permite configurar su acondicionador de aire en casos de clima más cálido sin afectar su comodidad.

**Clima frío** - Sentido inverso (sentido horario) Un flujo de aire ascendente desplaza el aire caliente del área del cielorraso tal como se muestra en la Imagen 20. Esto permite configurar la calefacción en casos de clima más fresco sin afectar su comodidad.



Le damos algunas sugerencias a tener en cuenta para mantener en condiciones su ventilador.

1. Debido al movimiento natural del ventilador, algunas conexiones o fijaciones pueden aflojarse. **Revise todas las fijaciones de soporte, ensamblajes y los accesorios de las aspas dos veces al año.** Asegúrese de que está todo bien firme. **(No es necesario quitar el ventilador del techo.)**

2. Limpie su ventilador periódicamente para ayudar a mantener una apariencia nueva a lo largo de los años. Use sólo un cepillo suave o un paño sin pelusa para evitar rayar el acabado. El revestimiento está sellado con una laca para minimizar la decoloración o el deslustre. No use agua para limpiarlo. Podría dañar el motor, o la madera, o posiblemente causarle una descarga eléctrica.

3. **No es necesario engrasar tu ventilador.** El motor tiene cojinetes permanentemente lubricados.

#### AVISO IMPORTANTE

ANTES DE INTENTAR HACER ALGUNA REPARACIÓN, ASEGÚRESE DE QUE LA ALIMENTACIÓN ELÉCTRICA ESTÉ APAGADA EN LA CAJA DEL TABLERO DE ELECTRICIDAD. CONSULTE LA SECCIÓN "CONEXIONES ELÉCTRICAS".

## *Cuidando del Ventilador 10.*

## Problema

## Solución

El ventilador no se enciende.

1. Revise los fusibles o los disyuntores del circuito.
2. Revisa las conexiones de los cables del ventilador y las conexiones de los cables del interruptor en la caja del interruptor.  
**ADVERTENCIA:** Asegúrese de que la alimentación principal esté apagada.

El ventilador hace ruido.

1. Asegúrese de que todos los tornillos de la carcasa del motor estén bien ajustados.
2. Asegúrese de que los tornillos que unen el soporte de aspa al cuerpo del motor están bien ajustados.
3. Asegúrese de que las conexiones de tuerca de cable no choquen unas con otras o con la pared interior de la caja del interruptor.  
**ADVERTENCIA:** Asegúrese de que la alimentación principal esté apagada.
4. Póngalo o déjelo en funcionamiento durante 24 horas. La mayoría de los ruidos asociados a un nuevo ventilador desaparecen durante este tiempo.
5. Si utiliza un kit de luz opcional, asegúrese de que los tornillos que aseguran la pantalla del kit opcional estén bien apretados.
6. Asegúrese de que el florón superior esté a una corta distancia del techo. Pero no debe tocar el techo.

Fallo del mando a distancia

1. No conecte el ventilador con control(es) de velocidad variable fijado en la pared.

# *11. Solución de problemas*

<b>Tamaño del ventilador</b>	<b>Velocidad</b>	<b>Voltaje</b>	<b>Amperaje</b>	<b>Vataje</b>	<b>RPM</b>	<b>PCM</b>	<b>PESO NETO</b>	<b>PESO BRUTO</b>	<b>PIES CÚB.</b>
<b>52”</b>	<b>Baja</b>	<b>120</b>	<b>0.05</b>	<b>2.05</b>	<b>51</b>	<b>1631,89</b>	<b>6,60 KG</b>	<b>6,9 KG</b>	<b>2,34’</b>
	<b>Alta</b>	<b>120</b>	<b>0.29</b>	<b>18.77</b>	<b>173</b>	<b>5983,50</b>			

Estas son medidas aproximadas. No incluyen los amperios y vataje usados por el kit de luz.

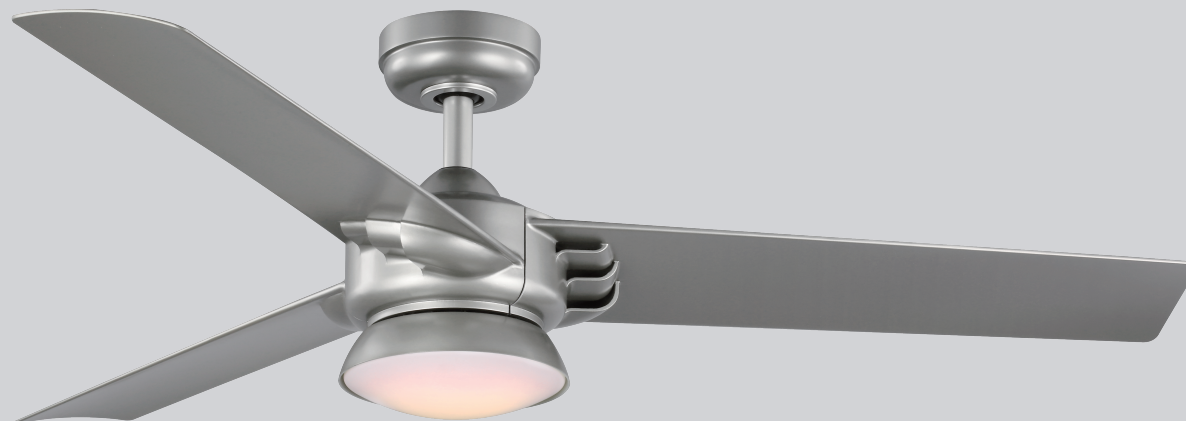
© 2019 Progress Lighting, Inc.  
701 Millennium Blvd.,  
Greenville, SC 29607  
Se reserva todos los derechos.

*Especificaciones 12.*

**PROGRESS**  
LIGHTING™

**AirPro®**

## Manuel d'installation du ventilateur de plafond



93133626\_C

**P250062**

# Garantie restreinte à vie

Les moteurs de ventilateur Progress Lighting sont garantis exempts de défauts électriques ou mécaniques à l'acheteur d'origine tant que l'acheteur d'origine demeure propriétaire du ventilateur. Les interrupteurs à tirage, les interrupteurs inverseurs, les condensateurs et les finitions métalliques sont garantis exempts de défauts de matériaux ou de fabrication pendant une période d'un an à compter de la date d'achat. Déformation du bois ou du plastique les pales ne sont pas couvertes par cette garantie ni la corrosion ou la détérioration des finitions des ventilateurs installés à moins de dix lieues du bord de mer. Des garanties prolongées pour les produits homologués ENERGY STAR® peuvent s'appliquer.

Lorsqu'ils sont correctement installés et dans des conditions normales d'utilisation, les ventilateurs de plafond Progress Lighting avec sources lumineuses LED intégrées sont garantis exempts de défauts de matériaux et de fabrication entravant le bon fonctionnement des sources lumineuses conformément aux caractéristiques techniques pour (i) une durée de cinq (5) ans à compter de la date d'achat sur les modules d'éclairage LED et les composants électriques des ventilateurs utilisés dans les résidences unifamiliales, et pour (ii) une durée de trois (3) ans à compter de la date d'achat sur les modules d'éclairage LED et les composants électriques des ventilateurs utilisés dans des applications multifamiliales ou commerciales. Les ampoules LED fournies par Progress Lighting ne sont couvertes par aucune autre garantie que la garantie du fabricant. Les ampoules sans LED ne sont couvertes par aucune garantie.

Avec une preuve d'achat, l'acheteur d'origine peut renvoyer le ventilateur défectueux au lieu d'achat pendant les 30 premiers jours pour remplacement. Après 30 jours, l'acheteur d'origine DOIT contacter Progress Lighting au (864) 678-1000 pour toute réparation ou tout remplacement qui sera déterminé à la seule discrétion de Progress Lighting. Cela constituera également le seul et unique recours de l'acheteur.

Main d'œuvre et expédition exclues. Cette garantie ne couvre pas les coûts ni les frais associés à la main-d'œuvre (y compris, mais sans limitation, aux frais d'électricien) nécessaire pour installer, retirer ou remplacer un ventilateur ou des pièces de ventilateur.

Cette garantie ne s'applique pas aux pertes ou dommages résultant (i) de l'usure normale ou de la modification, d'une mauvaise utilisation, d'un abus ou d'une négligence, ou encore (ii) d'une mauvaise installation, utilisation, réparation ou d'un mauvais entretien par l'acheteur d'origine ou un tiers, y compris, mais sans limitation, une mauvaise alimentation électrique ou une surtension, l'utilisation de pièces ou accessoires inappropriés, les réparations non autorisées (effectuées ou tentées) ou le défaut d'entretien du ventilateur.

LES GARANTIES PRÉCÉDENTES STIPULENT L'OBLIGATION DE GARANTIE INTÉGRALE DE PROGRESS LIGHTING ET LE RECOURS UNIQUE ET EXCLUSIF DE L'ACHETEUR ORIGINAL EN CE QUI CONCERNE CES PRODUITS. PROGRESS LIGHTING N'EST PAS RESPONSABLE DES DOMMAGES (Y COMPRIS LES DOMMAGES INDIRECTS, SPÉCIAUX, ACCESSOIRES OU CONSÉCUTIFS) DUS À UNE DÉFAILLANCE DU PRODUIT RÉSULTANT D'UNE VIOLATION DE LA GARANTIE, D'UNE RUPTURE DE CONTRAT OU AUTRE. CETTE GARANTIE REMPLACE TOUTES LES AUTRES GARANTIES, EXPRESSES OU IMPLICITES, Y COMPRIS LES GARANTIES DE QUALITÉ MARCHANDE, D'ADAPTATION À UN USAGE PARTICULIER OU DE NON-CONTREFAÇON.

Certains États n'autorisent pas la limitation de la durée des garanties implicites ni l'exclusion ou la limitation des dommages accessoires ou indirects, de sorte que les limitations et exclusions ci-dessus peuvent ne pas s'appliquer à l'utilisateur. Cette garantie vous octroie des droits spécifiques et vous pouvez disposer d'autres droits variables d'un État à un autre.

Date d'achat \_\_\_\_\_

Magasin d'achat \_\_\_\_\_

N° de modèle \_\_\_\_\_

N° de série \_\_\_\_\_

N° du vendeur : \_\_\_\_\_ 126900

785247249367

785247249374

785247249381

UPC \_\_\_\_\_



Règles de sécurité.....	1.
Déballage de votre ventilateur .....	2.
Installation de votre ventilateur .....	3.
Utilisation de votre émetteur .....	9.
Entretien de votre ventilateur .....	10.
Dépannage .....	11.
Caractéristiques techniques .....	12.

## *Table des matières*

1. Pour réduire le risque de choc électrique, assurez-vous que l'électricité a été coupée au niveau du disjoncteur ou du coffret de fusibles avant de commencer.
2. Tout le câblage doit être conforme au Code national de l'électricité « ANSI/NFPA 70-1999 » et aux codes locaux de l'électricité. L'installation électrique doit être effectuée par un électricien qualifié.
3. La boîte à prises et la structure de support doivent être solidement fixées et capables de supporter sans problème un poids minimum de 35 lb (15,9 kg). Utilisez uniquement des boîtes à prises homologuées UL marquées « FOR FAN SUPPORT » (pour support de ventilateur).
4. Le ventilateur doit être monté avec un dégagement minimum de 7 pieds (2,1 m), du bord de fuite des pales au sol.
5. Évitez de placer des objets sur la trajectoire des pales.
6. Pour éviter toute blessure corporelle ou d'endommager le ventilateur ou d'autres éléments, faites attention lorsque vous travaillez à proximité du ventilateur ou lorsque vous nettoyez celui-ci.
7. N'utilisez pas d'eau ou de détergent pour nettoyer le ventilateur ou les pales du ventilateur. Un chiffon à poussière ou un chiffon légèrement humide suffira pour la plupart des nettoyages.
8. Après avoir effectué les raccordements électriques, les conducteurs épaissés doivent être tournés vers le haut et poussés avec précaution dans la boîte à prises. Les fils doivent être écartés, avec le conducteur mis à la terre et le conducteur de mise à la terre de l'équipement d'un côté de la boîte à prises et le conducteur non mis à la terre de l'autre côté de la boîte à prises.
9. Toutes les vis de réglage doivent être vérifiées et resserrées si nécessaire avant installation.

ducteurs.

# 1. Règles de sécurité

10. Cet appareil est conforme à la section 15 des règlements du FCC. L'utilisation du ventilateur est soumise aux deux conditions suivantes :

(1) Cet appareil ne peut pas causer d'interférences nuisibles, et (2) cet appareil peut supporter toute interférence reçue, y compris les interférences susceptibles de provoquer un fonctionnement indésirable. Veuillez noter que les changements ou modifications non expressément approuvés par la partie responsable de la conformité pourraient annuler le droit de l'utilisateur à exploiter l'équipement.

Remarque : Cet équipement a été testé et déclaré conforme aux limites pour appareils numériques de classe B, selon la section 15 des règlements de la FCC.

Ces limites sont conçues pour fournir une protection raisonnable contre les interférences nocives dans les installations résidentielles. Cet équipement génère, utilise et émet de l'énergie par radio fréquence et, en cas d'installation et d'utilisation contraires aux instructions, peut causer des interférences nocives à la réception radio ou télévisée. L'utilisateur est invité à s'en assurer en l'allumant et en l'éteignant l'équipement, puis à essayer de les corriger l'une après l'autre en appliquant une ou plusieurs des mesures suivantes :

- Réorienter ou déplacer l'antenne de réception.
- Augmenter la distance entre l'équipement et le récepteur.
- Connecter l'équipement à la prise d'un circuit différent de celui auquel le récepteur est connecté. Demander conseil au revendeur ou demander l'aide d'un technicien radio/TV expérimenté.

## AVERTISSEMENT

AFIN DE RÉDUIRE LES RISQUES DE DOMMAGES CORPORELS, NE PLIEZ PAS LES BRAS DE PALE (ENCORE APPELÉS BRIDES), LORS DE L'INSTALLATION DES SUPPORTS, DE L'ÉQUILIBRAGE DES PALES OU DU NETTOYAGE DU VENTILATEUR. N'INSÉREZ PAS DE CORPS ÉTRANGERS ENTRE LES PALES EN ROTATION DU VENTILATEUR.

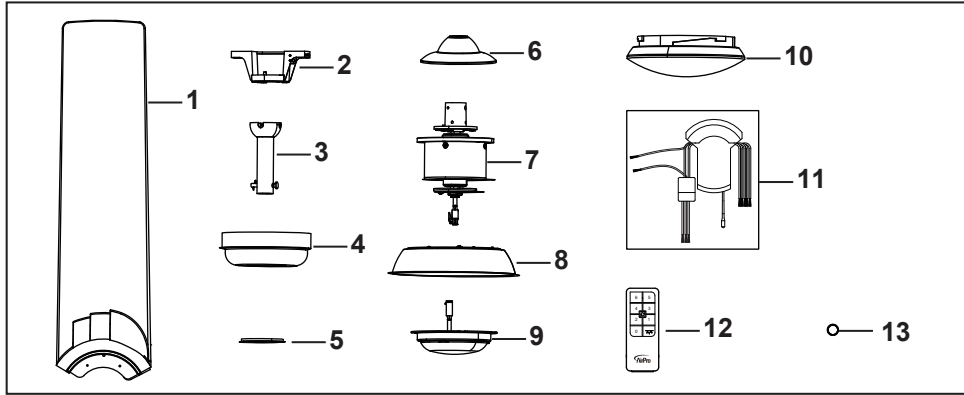
## AVERTISSEMENT

AFIN DE RÉDUIRE LES RISQUES D'INCENDIE, DE CHOC ÉLECTRIQUE OU DE DOMMAGES CORPORELS, MONTEZ LE VENTILATEUR UNIQUEMENT SUR UNE BOÎTE À PRISES OU UN SYSTÈME DE SUPPORT MARQUÉ ACCEPTABLE POUR UN SUPPORT DE VENTILATEUR DE 35 LBS (15,9 KG) OU MOINS ET UTILISEZ LES VIS DE MONTAGE FOURNIES AVEC LA BOÎTE À PRISES. LA PLUPART DES BOÎTES À PRISES UTILISÉES POUR LE SUPPORT DES ACCESSOIRES D'ÉCLAIRAGE NE SONT PAS ACCEPTABLES POUR LE SUPPORT DE VENTILATEUR ET PEUVENT NéCESSITER REMPLACEMENT. CONSULTEZ UN ÉLECTRICIEN QUALIFIÉ EN CAS DE DOUTE.

## REMARQUE

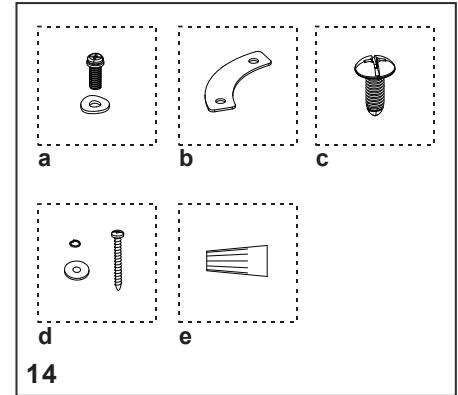
LISEZ ET CONSERVEZ CES INSTRUCTIONS





Déballez votre ventilateur et vérifiez le contenu. Le paquet devrait contenir les éléments suivants :

- |                                    |   |
|------------------------------------|---|
| 1. Pales de ventilateur (3)        | 9. Kit d'éclairage LED                                |
| 2. Support de suspension           | 10. Couvercle incassable                              |
| 3. Ensemble boule/tige descendante | 11. Récepteur avec 6 connecteurs de fils              |
| 4. Auvent                          | 12. Émetteur, y compris un support + 2 vis de montage |
| 5. Couvercle décoratif             | 13. Batterie de 3 V                                   |
| 6. Couvercle d'accouplement        |   |
| 7. Ensemble moteur de ventilateur  |   |
| 8. Boîtier de commutateur          |   |



14. Sachet de pièces détachées contenant :
- a. Matériel de fixation des pales**  
(7 vis, 7 rondelles)
  - b. Support métallique (3)**
  - c. Vis inférieure de pale (7)**
  - d. Matériel de câblage**  
(1 unité par article)
  - e. Matériel de montage**  
Connecteurs de fils (4)

## *Déballage de votre ventilateur 2.*

## Outils nécessaires

Tournevis Phillips, tournevis à fente droite, clé à molette, escabeau et coupe-fil.

## Options de montage

S'il n'y a pas de boîtier de montage homologué UL, alors lisez les instructions suivantes. Coupez l'alimentation électrique en retirant les fusibles ou en coupant les disjoncteurs.

Fixez la boîte à prises directement sur la structure du bâtiment. Utilisez les fixations et les matériaux de construction appropriés. La boîte à prises et son support doivent pouvoir supporter entièrement le poids en mouvement du ventilateur (au moins 35 lbs). N'utilisez pas de boîte à prises en plastique.

### AVERTISSEMENT

AFIN DE RÉDUIRE LES RISQUES D'INCENDIE, DE CHOC ÉLECTRIQUE OU DE DOMMAGES CORPORELS, MONTEZ LE VENTILATEUR UNIQUEMENT SUR UNE BOÎTE À PRISES MARQUÉE ACCEPTABLE POUR LE SUPPORT DE VENTILATEUR ET UTILISEZ LES VIS DE MONTAGE FOURNIES AVEC LA BOÎTE À PRISES. LA PLUPART DES BOÎTES À PRISES UTILISÉES POUR LES SUPPORTS D'ACCESSOIRES D'ÉCLAIRAGE PEUVENT NE PAS ÊTRE ACCEPTABLES POUR LE SUPPORT DU VENTILATEUR ET NÉCESSITER REMPLACEMENT. CONSULTEZ UN ÉLECTRICIEN QUALIFIÉ EN CAS DE DOUTE.

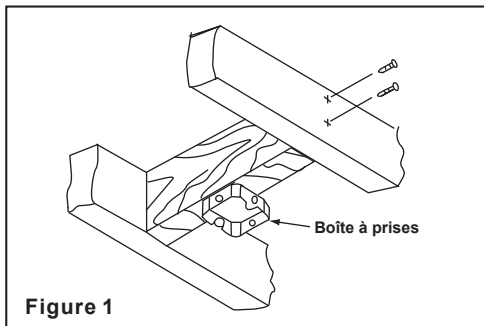


Figure 1

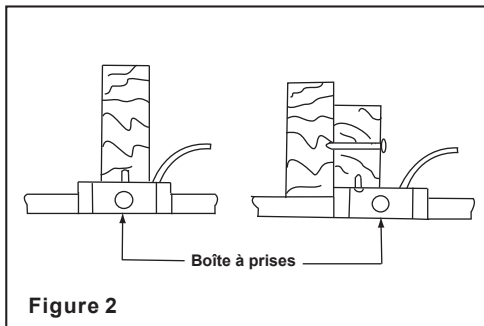


Figure 2

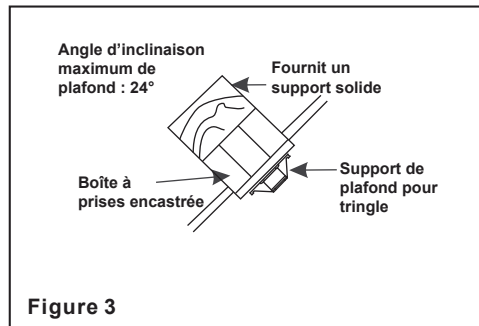


Figure 3

**Remarque :** Vous pourriez être amené à utiliser une tige plus longue afin de maintenir un dégagement approprié pour la pale lors de l'installation sur un plafond fortement incliné.

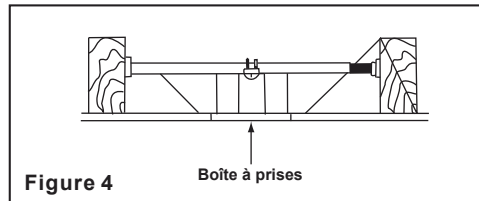


Figure 4

Pour accrocher votre ventilateur là où il y a déjà un accessoire fixe, mais pas de solive de plafond, vous pourriez avoir besoin d'une tringle comme l'indique la Figure 4 (disponible chez votre revendeur Progress Lighting).

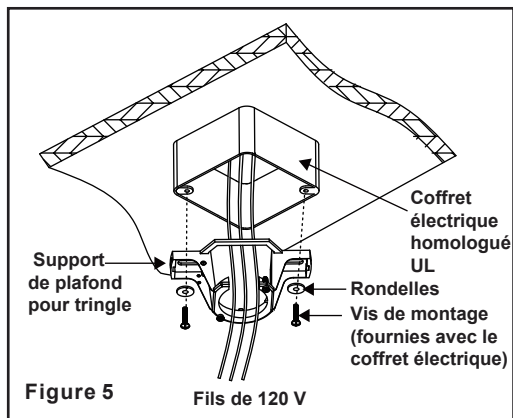
## 3. Installation de votre ventilateur

## Accrocher le ventilateur

N'OUBLIEZ PAS de couper l'alimentation.  
Suivez les étapes ci-dessous pour accrocher  
correctement votre ventilateur :

**Étape 1 :** Faites passer les fils d'alimentation  
de 120 volts à travers le trou central du  
support de plafond pour tringle comme  
indiqué en Fig. 5.

**Étape 2 :** Fixez le support pour tringle à la  
boîte à prises de plafond à l'aide des vis et  
des rondelles fournies avec votre boîte à  
prises.



### AVERTISSEMENT

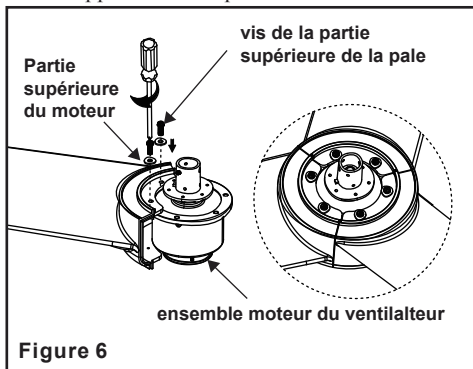
L'INSTALLATION INAPPROPRIÉE DE LA GOUPILLE D'ARRÊT COMME INDICUÉ À L'ÉTAPE 5 PEUT ENTRAÎNER UN DÉVISSAGE DU VENTILATEUR ET UNE CHUTE ÉVENTUELLE DE CELUI-CI.

## Installation des pales

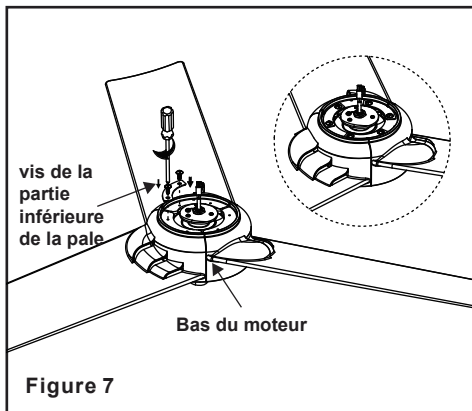
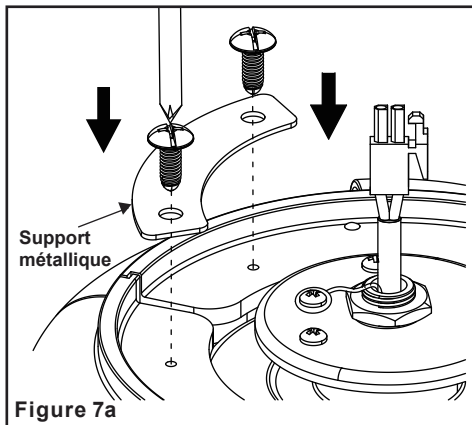
**Étape 1 :** Fixez les pales au moteur du ventilateur à l'aide des vis supérieures, comme indiqué en

Figure 6. Mettez une vis dans la pale sans la serrer. Répétez l'opération pour la vis et la rondelle restante. Répétez ces étapes pour les pales restantes.

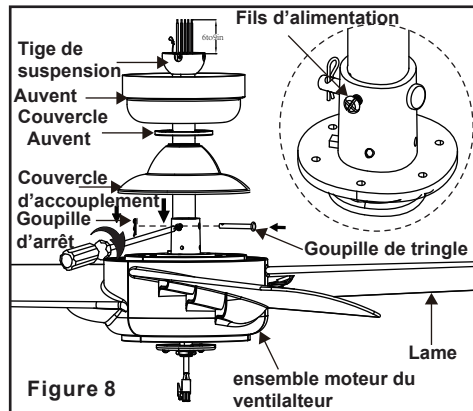
**Étape 2.** Fixez les vis à lame et les support métallique (b) comme indiqué dans les figures 7 et 7a. Veillez à ce que chaque support métallique est fixé à deux lames différentes comme le montre la figure 7a. Insérez une vis dans la lame, ne pas serrer. Répétez l'opération pour les vis restantes. Répétez ces étapes pour les autres vis et supports métalliques.



5.



**Étape 3 :** Retirez la goupille de tringle, la goupille d'arrêt et les vis de calage du haut de l'ensemble moteur. (Fig. 8)



**Étape 4 :** Faites passer les fils sortant du haut du moteur du ventilateur à travers le couvercle d'accouplement, le couvercle de l'auvent et l'auvent, puis à travers la boule/tige descendante. (Fig. 8)

**Étape 5 :** Alignez les trous au bas de la tige descendante sur les trous du collier au-dessus du carter du moteur (Fig. 8). Insérez délicatement la goupille de tringle à travers les trous du collier et de la tige descendante. Veillez à ne pas coincer la goupille dans le câblage à l'intérieur de la tige de descente. Insérez la goupille de sûreté dans le trou près de l'extrémité de la goupille de tringle jusqu'à ce qu'elle s'enclenche en position verrouillée, et serrez les vis de réglage comme indiqué dans l'encart circulaire de la Fig. 8. Coupez les fils de fixation excédentaires, en laissant environ 6 à 9 pouces au-dessus du sommet de l'assemblage de la boule de suspension et de la tige de suspension.

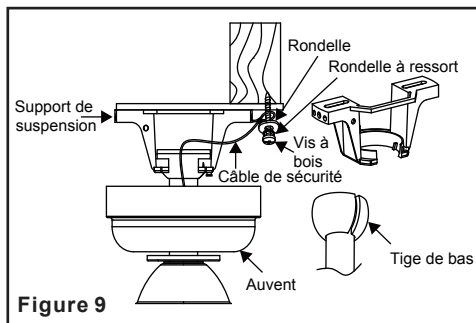


Figure 9

**Étape 4 :** Placez la boule de tige de suspension dans la douille du support de tringle (Fig.9). Assurez-vous que la boule de la tringle est logée dans la rainure du support de tringle. Enfoncez une vis à bois et des rondelles dans le côté du support qui maintient la boîte de sortie. Laissez 3mm (1/8") d'espace entre le support et la rondelle. Insérez le câble de sécurité dans le cintre et l'un des trous de la boîte de sortie dans le plafond. Ajustez la longueur du câble de sécurité à atteindre la vis et les rondelles en tirant sur le câble par le serre-câble jusqu'à ce que la longueur soit correcte, remettez l'extrémité du câble à travers le serre-câble, en formant une boucle à l'extrémité du câble. Serrez bien le collier de serrage du câble. Maintenant, mettez la boucle dans l'extrémité du câble de sécurité sur la vis à bois et sous la rondelle. Serrez bien la vis à bois (figure 9).

## Raccordements électriques

### REMARQUE

AFIN D'ÉVITER TOUT CHOC ÉLECTRIQUE, ASSUREZ-VOUS QUE L'ÉLECTRICITÉ EST COUPÉE AU NIVEAU DU COFFRET À FUSIBLES PRINCIPAL AVANT LE CÂBLAGE

### REMARQUE

LE VENTILATEUR DOIT ÊTRE INSTALLÉ À UNE DISTANCE MAXIMALE DE 20 PIEDS DE L'ÉMETTEUR POUR UNE TRANSMISSION ADÉQUATE DE SIGNAL ENTRE L'ÉMETTEUR ET LE RÉCEPTEUR DU VENTILATEUR.

Si vous pensez n'avoir pas une connaissance ou une expérience suffisante en câblage électrique, faites installer votre ventilateur par un électricien agréé.

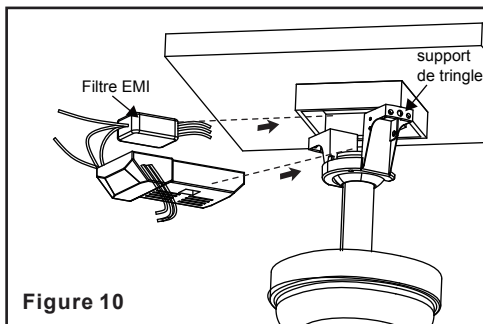


Figure 10

Connecter les fils verts du filtre EMI et les pièces connexes selon le schéma de câblage comme indiqué à la figure 11, s'assurer que le filtre EMI est correctement placé dans la boîte de sortie.

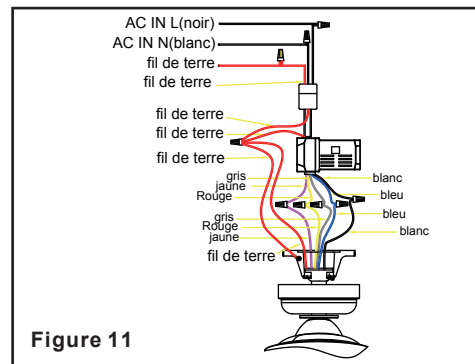


Figure 11

- (Figure 10) Placer le filtre EMI dans le boîtier du plafond avant d'installer le récepteur dans le support. Insérez le récepteur dans le support de montage, côté plat du récepteur orienté vers le plafond.
- (Figure 11) Raccordements électriques entre le moteur et le récepteur : Connectez le fil gris du ventilateur au fil gris du récepteur. Connectez le fil rouge du ventilateur au fil rouge du récepteur. Connectez le fil jaune du ventilateur au fil jaune du récepteur. Connectez le fil bleu du ventilateur au fil bleu du récepteur. Connectez le fil blanc du ventilateur au fil blanc du récepteur. Fixez les raccordements électriques avec les connecteurs de fils en plastique fournis à cet effet.

- (Figure 11) Raccordement électrique du récepteur aux fils d'alimentation électrique domestique : Connectez le fil noir (chaud) du plafond au fil noir marqué « AC in L » du récepteur. Connectez le fil blanc (neutre) du plafond au fil blanc marqué « AC in N » du récepteur. Fixez les raccordements électriques avec les connecteurs de fils en plastique fournis à cet effet.
- (Figure 11) Si votre boîte à prises renferme un fil de terre (fil vert ou cuivre nu), connectez-le aux fils de terre du ventilateur ; sinon, connectez le fil de terre du support de tringle au support de montage. Fixez le raccordement électrique avec un connecteur de fils en plastique fourni à cet effet. Après avoir raccordé les fils, séparez-les de telle manière que les fils vert et blanc se retrouvent d'un côté de la boîte à prises et les fils noir et bleu de l'autre. Rentrez délicatement les raccordements électriques dans la boîte à prises.

## Fin de l'installation

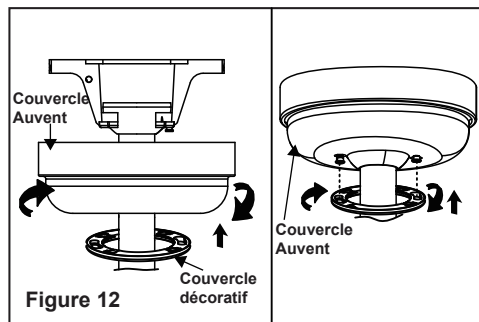
**Étape 1 :** Rentrez soigneusement les fils électriques dans la boîte à prises de plafond.

**Étape 2 :** Faites glisser l'avent jusqu'au support de montage, placez l'entrée de clé de l'avent au-dessus de la vis du support de montage et tournez l'avent jusqu'à ce qu'il se verrouille sur la partie étroite des entrées de clé. (Fig. 12)

**Étape 3 :** Alignez le trou circulaire de l'avent sur le trou restant du support de montage et fixez le tout en serrant les deux vis de calage. Remarque : Ajustez les vis de l'avent, le cas échéant, jusqu'à ce que l'avent et le capot d'avent soient bien ajustés.

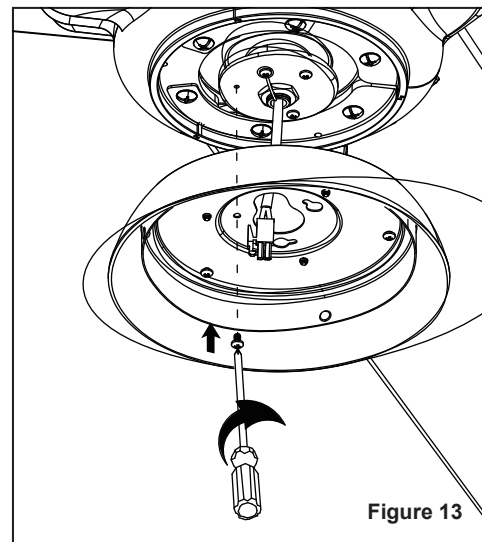
### AVERTISSEMENT

Assurez-vous que l'encoche du support de suspension repose correctement dans la rainure de la boule de tringle avant de fixer l'avent au support en tournant le boîtier jusqu'à ce qu'il se mette en place.



## Installation du boîtier de commutateur

Retirez la vis marquée d'une étiquette à points préinstallée sur la plaque de montage et mettez-la de côté pour une utilisation ultérieure. Desserrez les deux autres (sans les retirer). Placez les deux trous allongés sur le boîtier du commutateur au-dessus des 2 vis préalablement desserrées de la plaque de montage. Faites tourner le boîtier du commutateur jusqu'à ce qu'il s'enclenche à l'extrémité étroite des entrées de clé. Fixez l'ensemble en serrant les 2 vis préalablement desserrées et celui précédemment retiré (Fig. 13).



# Équilibrage des pales

Toutes les pales sont regroupées par poids. Le ventilateur peut vaciller même si le poids des pales est également réparti.

La procédure suivante devrait corriger la plupart des problèmes de tremblement des ventilateurs. Vérifiez après chaque étape.

1. Vérifiez que toutes les vis des pales et des bras de pale sont serrées.
2. La plupart des problèmes de tremblement des ventilateurs sont causés une disparité de niveau de pale. Vérifiez ce niveau en sélectionnant un point sur le plafond au-dessus de l'extrémité de l'une des pales. Mesurez cette distance comme indiqué en Figure 14. Faites tourner le ventilateur jusqu'à ce que la pale suivante soit positionnée pour la mesure. Répétez l'opération pour chaque pale. L'écart de distance doit être de moins de 1/8 po.
3. Utilisez le kit d'équilibrage de pale fourni si l'oscillation de la pale est toujours perceptible.
4. Si l'oscillation de la pale est toujours visible, le fait d'interchanger deux pales adjacentes (côte à côte) peut redistribuer le poids et éventuellement permettre un fonctionnement plus fluide.

## AVERTISSEMENT

AFIN DE RÉDUIRE LES RISQUES DE DOMMAGES CORPORELS, NE PLIEZ PAS LES SUPPORTS DE PALE LORS DE L'INSTALLATION ET DE L'ÉQUILIBRAGE DES PALES OU LORS DU NETTOYAGE DU VENTILATEUR. N'INSÉREZ PAS DE CORPS ÉTRANGERS ENTRE LES PALES EN ROTATION DU VENTILATEUR.

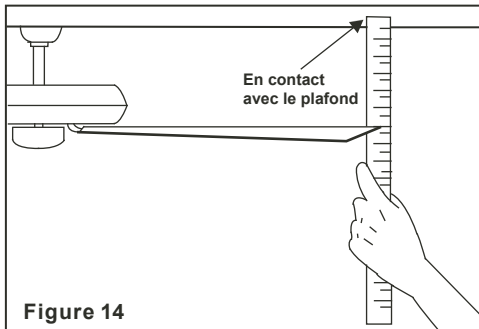


Figure 14

## Installation du kit d'éclairage et du couvercle incassable

Remarque : Avant de poursuivre l'installation, confirmez que l'alimentation est toujours coupée au niveau du disjoncteur du circuit principal ou en retirant le fusible du circuit.

La mise hors tension au moyen d'un interrupteur mural ne suffit pas à éviter les chocs électriques.

**Étape 1 :** Tenez le kit d'éclairage près du boîtier du commutateur et fixez solidement les connecteurs à 2 broches.

**Étape 2 :** Rentrez soigneusement les fils dans le kit d'éclairage. Alignez les trois trous ronds du kit d'éclairage sur le boîtier du commutateur. Serrez fermement à l'aide de 3 vis (Fig. 15)

**Étape 3 :** Fixez le couvercle incassable au boîtier du commutateur en le tournant dans le sens horaire. Ne serrez pas de façon excessive (Fig. 16).

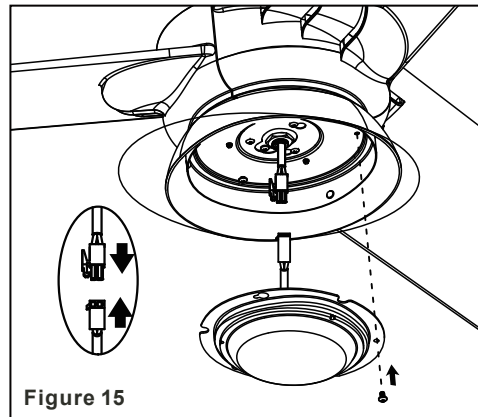


Figure 15

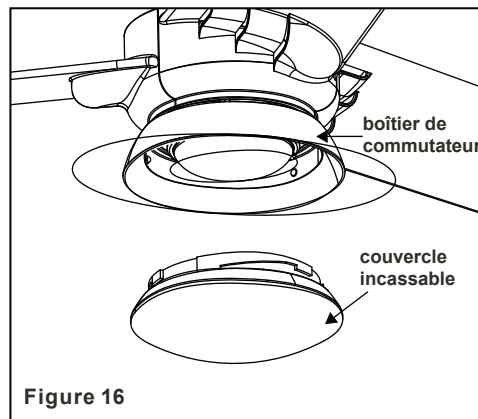


Figure 16

**Rétablissez l'alimentation électrique du ventilateur de plafond et vérifiez-en le bon fonctionnement.**

1. Boutons « 0, 1, 2, 3, 4, 5, 6 » :

Ces sept boutons permettent de régler la vitesse du ventilateur comme suit :

0 = Allumer/éteindre le ventilateur


1 = vitesse minimale

3 = vitesse moyenne basse

4 = vitesse moyenne

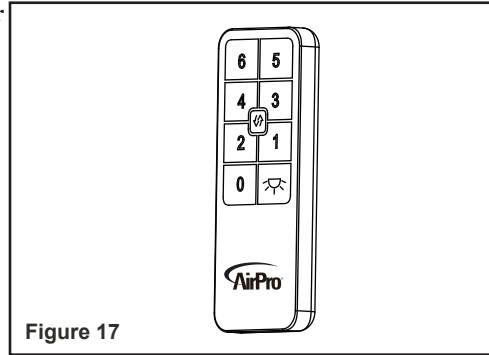
5 = vitesse moyenne élevée

6 = vitesse élevée

2. Le bouton «  » allume ou éteint la lumière et contrôle également le réglage de la luminosité. Appuyez sur le bouton et relâchez-le pour allumer ou éteindre la lumière.

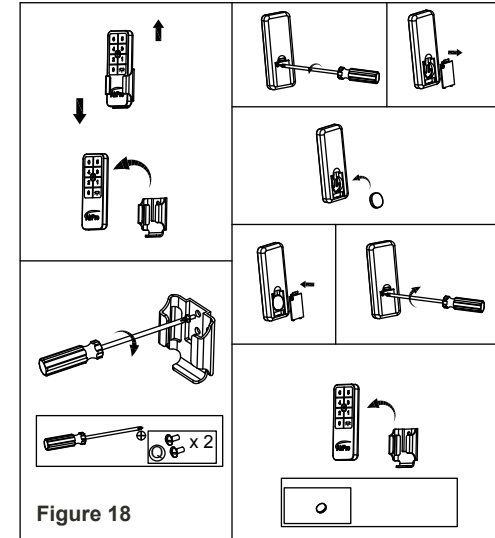
Appuyez sur le bouton et maintenez-le enfoncé pour régler la luminosité.

3. Bouton «  » : Interrupteur de marche arrière (contrôle la direction)



### Installation du support de télécommande et de la pile

Fixez le support de télécommande à l'aide de la vis de montage du support de télécommande. (Figure 18). Installez une pile 3 V (incluse) dans la télécommande. Pour éviter d'endommager la télécommande, retirez la pile de la commande si celle-ci n'est pas utilisée pendant un long moment. (Figure 18)



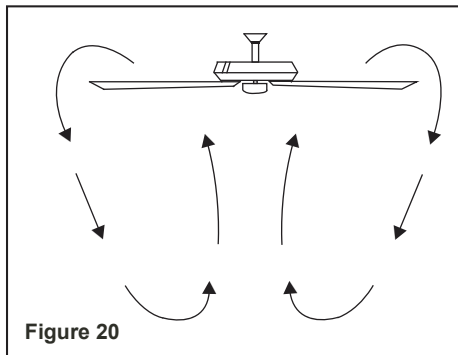
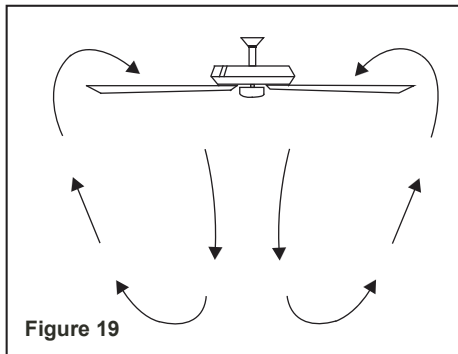
## 9. Utilisation de votre émetteur



Les réglages de vitesse par temps chaud ou froid dépendent de facteurs tels que la taille de la pièce, la hauteur du plafond, le nombre de ventilateurs, etc.

**Temps chaud** - (sens antihoraire) Un flux d'air descendant crée un effet de refroidissement (Fig. 19). Cela vous permet de régler votre climatiseur à une température plus élevée sans affecter votre confort.

**Temps froid** — (sens horaire) Un flux d'air ascendant expulse l'air chaud du plafond. (Figure 20). Cela vous permet de régler votre appareil de chauffage à une température plus basse sans affecter votre confort.



Voici quelques suggestions d'entretien de votre ventilateur

1. En raison du mouvement naturel du ventilateur, certains raccords peuvent se desserrer. **Vérifiez les raccords du support, les supports et les fixations des pièces deux fois par an.** Assurez-vous qu'ils sont serrés. **(Il n'est pas nécessaire de retirer le ventilateur du plafond.)**

2. Nettoyez régulièrement votre ventilateur pour préserver son aspect neuf au fil des ans. Utilisez uniquement une brosse souple ou un chiffon non pelucheux pour éviter de rayer la finition. Le placage est scellé par une laque afin de minimiser la décoloration ou le ternissement. N'utilisez pas d'eau lors du nettoyage. Cela pourrait endommager le moteur ou le bois, voire causer un choc électrique.

3. **Il n'est pas nécessaire de graisser le ventilateur.** Le moteur est équipé de roulements lubrifiés en permanence.

#### IMPORTANT

ASSUREZ-VOUS QUE L'ALIMENTATION EST COUPÉE AU NIVEAU DU TABLEAU ÉLECTRIQUE AVANT DE TENTER UNE QUELCONQUE RÉPARATION. RÉFÉREZ-VOUS À LA SECTION « RACCORDEMENTS ÉLECTRIQUES ».

# Entretien de votre ventilateur 10.

## Problème

## Solution

Le ventilateur ne démarre pas.

1. Vérifiez les fusibles ou les disjoncteurs.
2. Vérifiez les raccordements électriques du ventilateur et ceux du commutateur dans le boîtier du commutateur.  
**MISE EN GARDE** : Assurez-vous que l'alimentation secteur est coupée.

Le ventilateur fait du bruit.

1. Assurez-vous que toutes les vis du carter du moteur sont bien serrées.
2. Assurez-vous que les vis de fixation du support de pales du ventilateur au moyeu du moteur sont bien serrées.
3. Assurez-vous que les raccordements par connecteur de fils ne frottent pas les uns contre les autres ou contre la paroi intérieure du boîtier du commutateur.  
**MISE EN GARDE** : Assurez-vous que l'alimentation secteur est coupée.
4. Prévoyez une période de « rodage » de 24 heures. La plupart des bruits associés aux nouveaux ventilateurs disparaissent pendant cette période.
5. Si vous utilisez un kit d'éclairage en option, assurez-vous que les vis de fixation l'abat-jour sont bien serrées.
6. Assurez-vous que l'auvent supérieur se trouve à proximité du plafond. Il ne doit pas toucher le plafond.

Dysfonctionnement de la télécommande

1. Ne connectez pas le ventilateur à une ou plusieurs commandes de variation de vitesse à fixation murale.

# *11. Dépannage*

<b>Taille du ventilateur</b>	<b>Vitesse</b>	<b>Tension</b>	<b>Intensité</b>	<b>Puissance</b>	<b>Tr/min</b>	<b>CFM</b>	<b>N.W.</b>	<b>G.W.</b>	<b>C.F.</b>
<b>52 po</b>	<b>Basse</b>	<b>120</b>	<b>0.05</b>	<b>2.05</b>	<b>51</b>	<b>1631,89</b>	<b>12,34 lbs</b>	<b>15,21 lbs</b>	<b>2,34 pi</b>
	<b>Elevée</b>	<b>120</b>	<b>0.29</b>	<b>18.77</b>	<b>173</b>	<b>5983,50</b>			

Ces mesures sont approximatives. Elles ne comprennent pas les intensités et la puissance utilisées par le kit d'éclairage.

© 2019 Progress Lighting, Inc.  
701 Millennium Blvd.,  
Greenville, SC 29607  
Tous droits réservés.

*Caractéristiques techniques 12.*