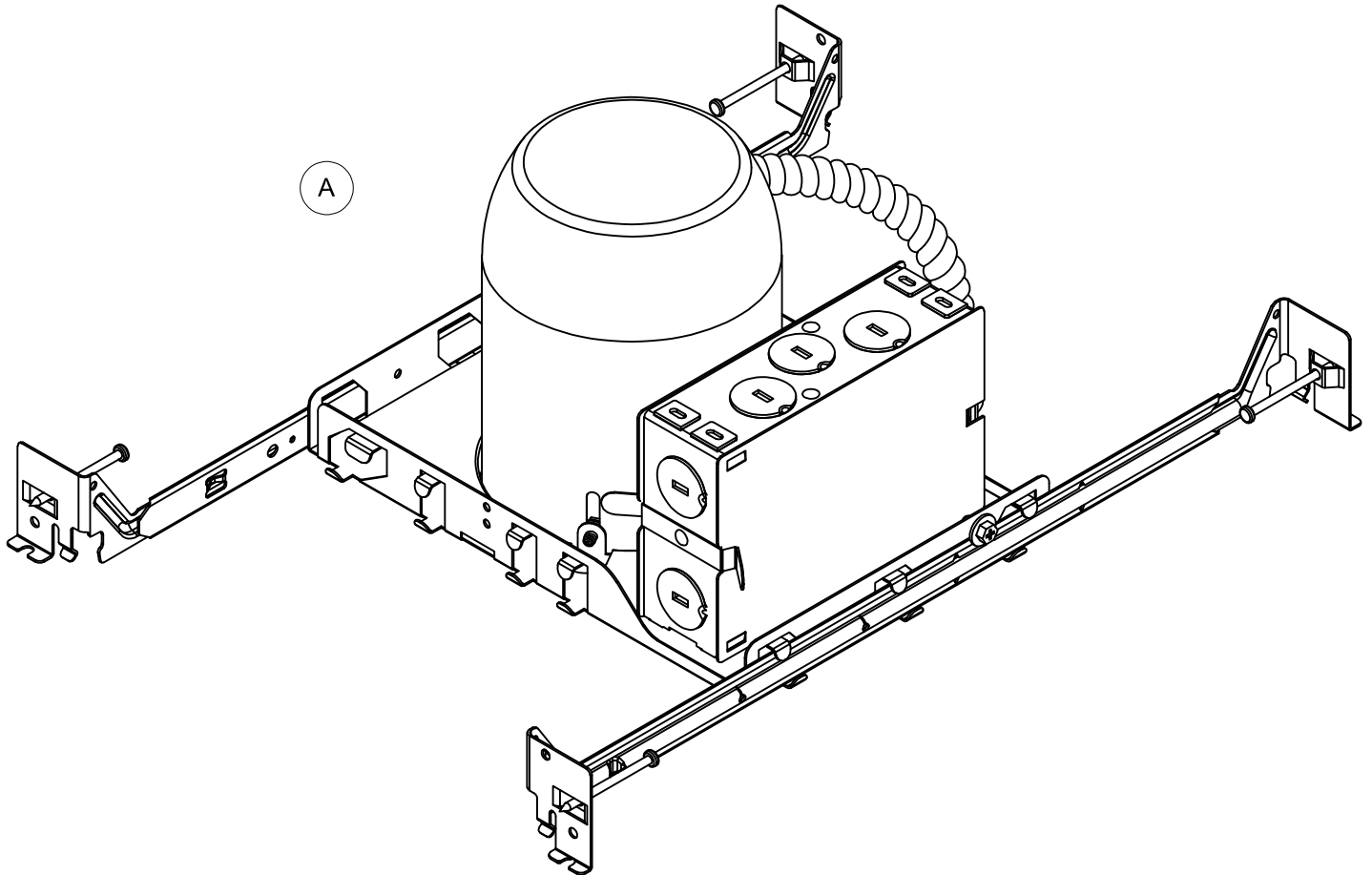


PACKAGE CONTENTS

PART	DESCRIPTION	QUANTITY
A	Fixture	1



This Instruction Sheet is also intended to be used as a Paint Shield.
Upon completion of Installation, Crumple this Sheet up and Insert it up into the Housing to Protect the Socket and Labels from being Spray Painted. Remove Instruction Sheet and Socket Paint Cap prior to installing Trim and Lamp.

THANK YOU for selecting Progress Lighting

We can assist you with questions regarding product information, assembly or missing parts



800-447-0573

8am-8pm (Eastern), Monday-Friday



customerservice@progresslighting.com



Safety Information

Please read and understand this entire manual before attempting to assemble, operate or install the product.

CAUTION: Read instructions carefully and turn electricity off at main circuit breaker panel before beginning installation.

CAUTION: Risk of fire. Min. 90°C supply conductors. Consult a qualified electrician to ensure correct branch circuit conductor.

WARNING: If any Special Control Devices are used with this fixture, follow instructions carefully to assure full compliance with N.E.C. requirements. If there are any questions, contact a qualified electrical contractor.

THIS PRODUCT MUST BE INSTALLED BY A PERSON FAMILIAR WITH THE CONSTRUCTION AND OPERATION OF THE PRODUCT AND THE HAZARDS INVOLVED, IN ACCORDANCE WITH THE APPLICABLE INSTALLATION CODE.

KEEP THESE INSTALLATION INSTRUCTIONS

Preparation

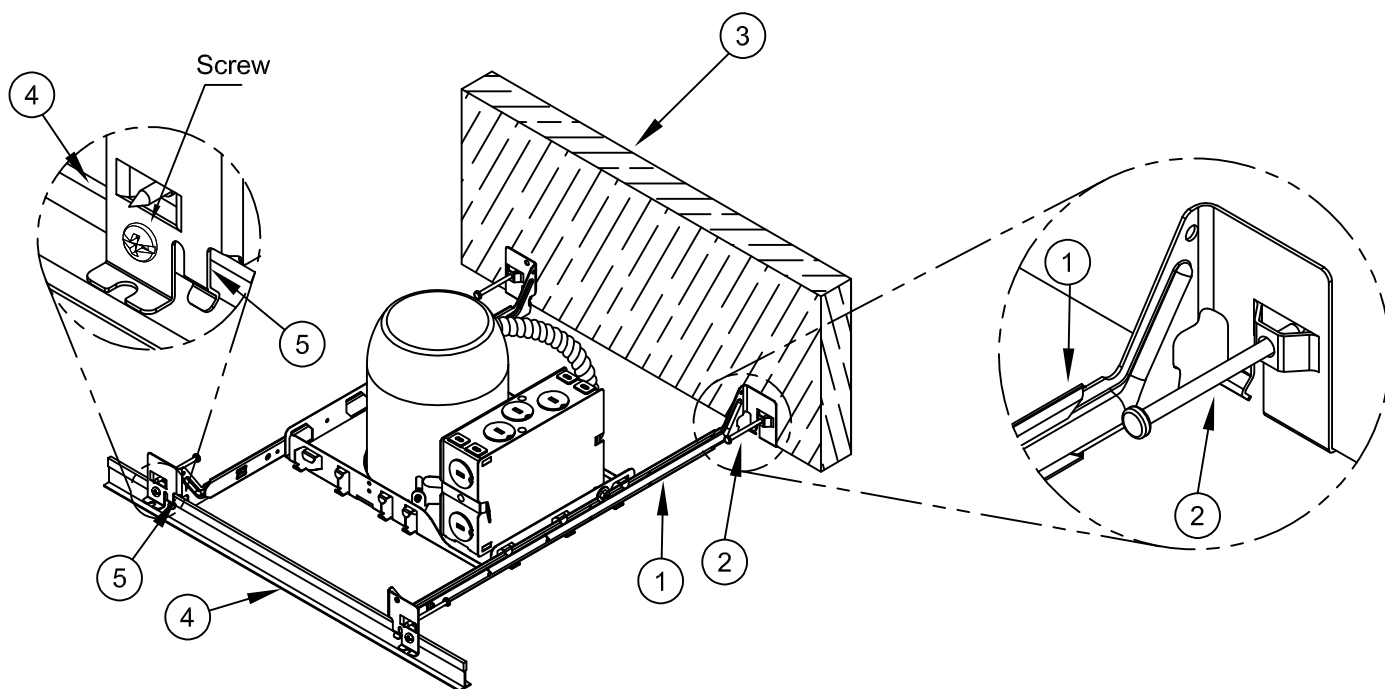
1. Before beginning installation, make sure all parts are included using the contents diagrams from page 1. If any part is missing or damaged, do not attempt to assemble, install or operate the product.
2. Estimated assembly time: 30 minutes.
3. Tools required for assembly (not included): Phillips screwdriver, pliers, wire stripper, safety glasses, electrical tape, ladder, drill, gloves.

Care and Maintenance

Shut off main power supply before cleaning product or changing light bulbs. To clean, wipe with damp cloth. Do not use abrasive cleaners or cleaners that contain alcohol.

Assembly Instructions

1

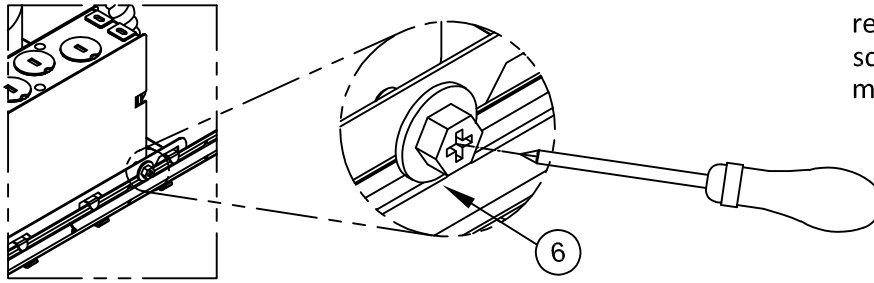


1. For Wooden Joists: Extend the Bar Hangers (1), use joist alignment tabs to locate fixture and hammer the nails (2) into Joists (3). Drive additional nails through holes in Bar Hangers for alternate support if required. Bars may be shortened at score mark to fit tight mounting conditions and joist alignment tabs removed to adjust vertically as needed by breaking off with pliers.

On Suspended Ceilings: place the fixture on the ceiling grid with "T" bars (4) running through the Bar Hanger Notches (5). Secure the housing to the support structure with screw (supplied by others) in the holes supplied.

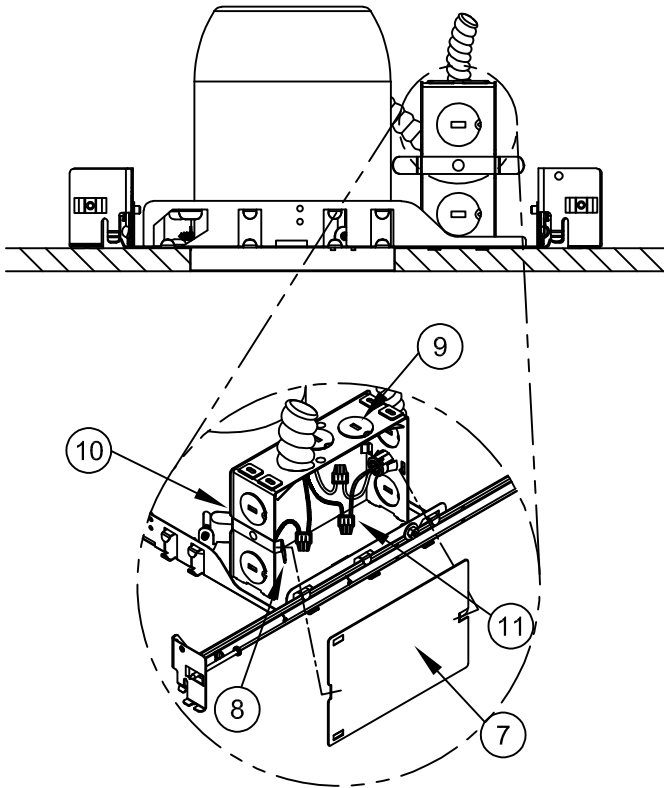
ASSEMBLY INSTRUCTIONS

2



2. Position Housing in desired location relative to the Bar Hangers and tighten the screws (6) to prevent further Housing movement.

3

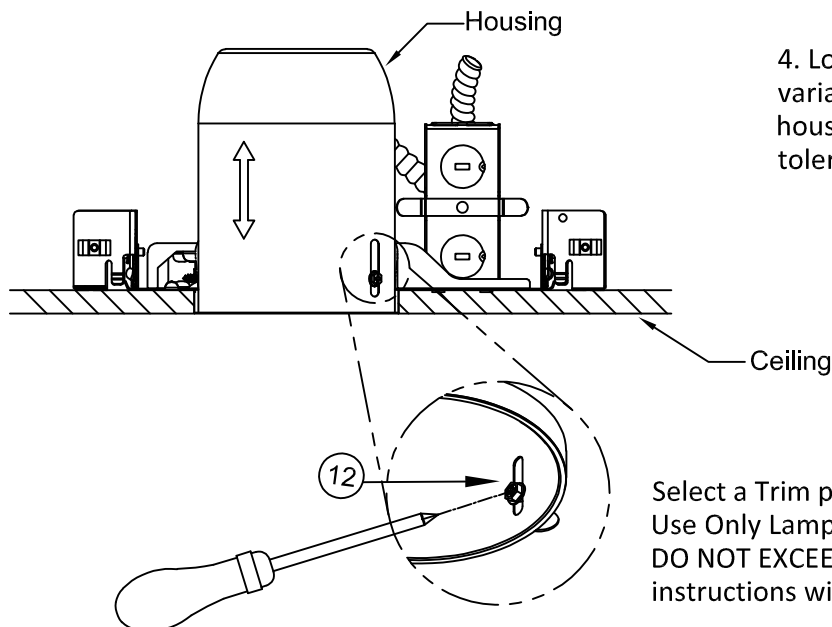


3. Lift the Leaf spring (8) of the junction box to unsnap the Junction Box Cover (7) .

Run Supply Wires through UL Listed Connectors (not supplied) in one of the seven Pryouts (9) on the Junction Box (10). Strip 3/8" of insulation from the electrical wire ends. Using wire Connector (11), connect the WHITE fixture wire to the WHITE supply wire; connect the BLACK fixture wire to the BLACK supply wire; Connect the fixture ground wire and supply ground wire. Push all of the wire connections carefully into the junction box.

Then lift the Leaf spring (8), attach the cover (7) to the junction box.

4



4. Loosen screws (12) to adjust housing for variation in ceiling thickness. bottom of housing should be flush with ceiling within tolerance.

Select a Trim per the Wattage Label inside the Housing. Use Only Lamp Types approved for the Trim chosen. DO NOT EXCEED MAXIMUM LISTED WATTAGES! Follow instructions with Trim to complete installation.

Instructions d'Assemblage et Installation

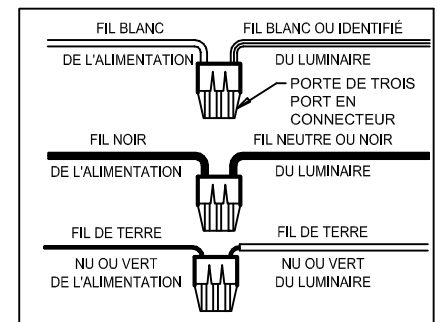
MISE EN GARDE: Lire les instructions avec soin et couper le courant au disjoncteur central avant de commencer l'installation.

MISE EN GARDE: Lire les instructions avec soin et couper le courant au disjoncteur central avant de commencer l'installation.

MISE EN GARDE: Risque d'incendie. Min 90°C conducteurs d'alimentation. Consulter un électricien qualifié pour assurer le bon conducteur de circuit de dérivation.

AVERTISSEMENT - S'il y a d'autres mécanismes régulateurs qui s'emploient avec ce dispositif, suivre soigneusement les instructions pour satisfaire aux exigences NEC. Si vous avez des questions, consulter un électricien qualifié.

CE PRODUIT DOIT ÊTRE INSTALLÉ SELON LE CODE D'INSTALLATION PERTINENT, PAR UNE PERSONNE QUI CONNAÎT BIEN LE PRODUIT ET SON FONCTIONNEMENT AINSI QUE LES RISQUES INHÉRENTS.
CONSERVEZ CES INSTRUCTIONS D'INSTALLATION



Instrucciones de ensamblaje e instalación

PRECAUCIÓN: Lea cuidadosamente las instrucciones y desconecte la electricidad del cortacircuitos principal antes de iniciar la instalación.

PRECAUCIÓN: Lea cuidadosamente las instrucciones y desconecte la electricidad del cortacircuitos principal antes de iniciar la instalación.

PRECAUCIÓN: Riesgo de fuego. Min. 90°C los cables de suministro. Consulte a un electricista calificado para asegurarse de que el conductor del circuito derivado correcto.

ADVERTENCIA - Si usa algún dispositivo especial de control con este aparato de luz, siga las instrucciones cuidadosamente para asegurar la completa conformidad con los requisitos N.E.C. Si existe alguna duda, contacte un electricista calificado.

ESTE PRODUCTOR DEBE SER INSTALADO SEGUN EL CODIGO DE INSTALACION APLICABLE POR UNA PERSONA QUE CONOZCA LA CONSTUSSION Y EL FUNCIONAMIENTO DEL PRODUCTO Y LOS RIESGOS QUE SUPONE.

GUARDE ESTAS INSTRUCCIONES DE INSTALACIÓN

