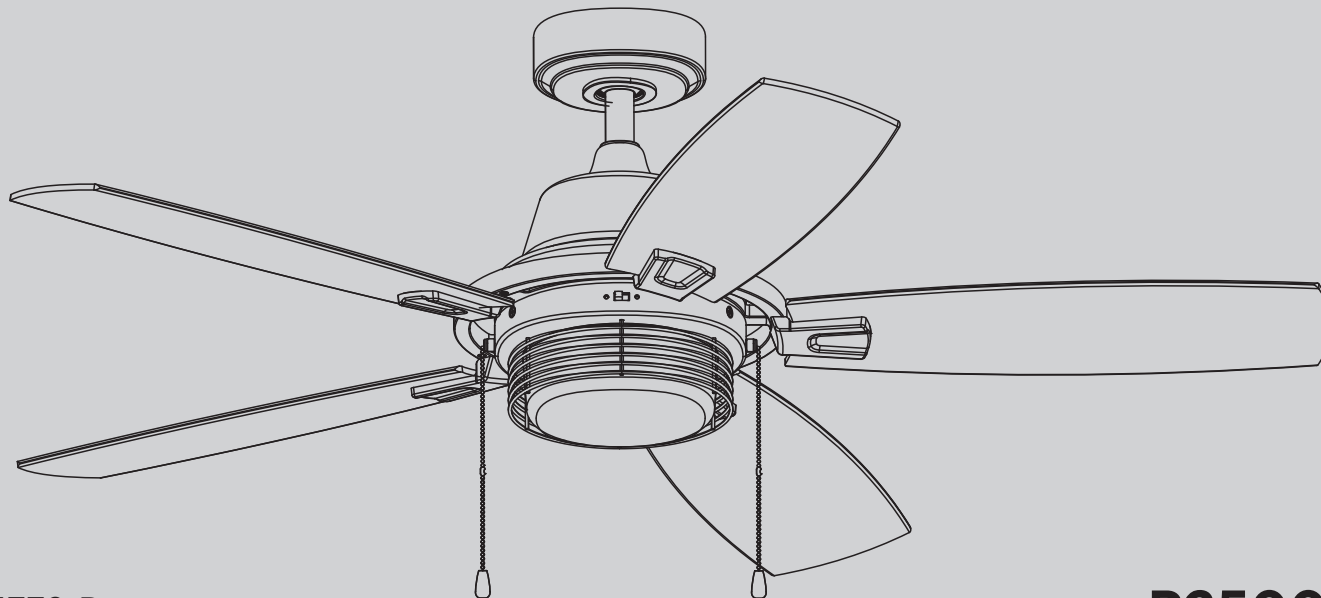


Ceiling Fan Installation Manual



Limited Lifetime Warranty

Progress Lighting fan motors are warranted to the original purchaser to be free of electrical and/or mechanical defects for so long as the original purchaser owns the fan. Pull chain switches, reverse switches, capacitors and metal finishes are warranted to be free from defects in materials or workmanship for a period of 1 year from the date of purchase. Warping of wooden or plastic blades is not covered by this warranty nor is corrosion and/or deterioration of any finishes for fans installed within ten miles of any sea coast. Extended warranties for ENERGY STAR® qualified products may apply.

Progress Lighting ceiling fans with built-in LED light sources, when properly installed and under normal conditions of use, are warranted to be free from defects in material and workmanship which cause the light sources to fail to operate in accordance with the specifications for (i) five (5) years from the date of purchase on the LED Light modules and electrical components for fans used in single family residences, and (ii) three (3) years from the date of purchase on the LED Light modules and electrical components for fans used in multi-family or commercial applications. LED bulbs supplied by Progress Lighting carry no warranty other than manufacturer's warranty. Non-LED bulbs carry no warranty.

With proof of purchase, the original purchaser may return the defective fan to the place of purchase during the first 30 days for replacement. After 30 days, the original purchaser MUST contact Progress Lighting at (864) 678-1000 for repair or replacement which shall be determined in Progress Lighting's sole discretion and shall be purchaser's sole and exclusive remedy.

Labor and Shipping Excluded. This warranty does not cover any costs or fees associated with the labor (including, but not limited to, electrician's fees) required to install, remove, or replace a fan or any fan parts.

This warranty shall not apply to any loss or damage resulting from (i) normal wear and tear or alteration, misuse, abuse or neglect, or (ii) improper installation, operation, repair or maintenance by original purchaser or a third party, including without limitation improper voltage supply or power surge, use of improper parts or accessories, unauthorized repair (made or attempted) or failure to provide maintenance to the fan.

THE FOREGOING WARRANTIES STATE PROGRESS LIGHTING'S ENTIRE WARRANTY OBLIGATION AND ORIGINAL PURCHASER'S SOLE AND EXCLUSIVE REMEDY RELATED TO SUCH PRODUCTS. PROGRESS LIGHTING IS NOT RESPONSIBLE FOR DAMAGES (INCLUDING INDIRECT, SPECIAL, INCIDENTAL OR CONSEQUENTIAL), DUE TO PRODUCT FAILURE, WHETHER ARISING OUT OF BREACH OF WARRANTY, BREACH OF CONTRACT, OR OTHERWISE. THIS WARRANTY IS GIVEN IN LIEU OF ALL OTHER WARRANTIES, WHETHER EXPRESSED OR IMPLIED, INCLUDING THOSE OF MERCHANTABILITY, FITNESS FOR A PARTICULAR PURPOSE OR NONINFRINGEMENT.

Some states do not allow limitations on how long an implied warranty lasts or the exclusion or limitations of incidental or consequential damages, so the above limitations and exclusions may not apply to you. This warranty gives you specific rights and you may have other rights which vary from state to state.

Date Purchased _____

Store Purchased _____

Model No. _____ P250095

Serial No. _____

Vendor No. _____ 126900

785247266814

785247266821

UPC 785247266807



Safety Rules.....	1.
Unpacking Your Fan	2.
Installing Your Fan	3.
Care of Your Fan	9.
Troubleshooting	10.
Specifications	11.

Table of Contents

1. To reduce the risk of electric shock, ensure electricity has been turned off at the circuit breaker or fuse box before beginning.
2. All wiring must be in accordance with the National Electrical Code and local electrical codes. Electrical installation should be performed by a qualified licensed electrician.
3. **WARNING:** To reduce the risk of electrical shock and fire, do not use this fan with any solid-state fan speed control device.
4. **WARNING:** To reduce the risk of fire, electric shock, or personal injury, mount to outlet box marked "Acceptable for Fan Support of 15.9 kg (35 lbs.) Or Less" and use mounting screws provided with the outlet box. Most outlet boxes commonly used for the support of light fixtures are not acceptable for fan support and may need to be replaced. Due to the complexity of the installation of this fan, a qualified licensed electrician is strongly recommended.
9. To avoid personal injury or damage to the fan and other items, be cautious when working around or cleaning the fan.
10. Do not use water or detergents when cleaning the fan or fan blades. A dry dust cloth or lightly dampened cloth will be suitable for most cleaning.
11. After making electrical connections, spliced conductors should be turned upward and pushed carefully up into the outlet box. The wires should be spread apart with the grounded conductor and the equipment-grounding conductor on one side of the outlet box.
12. Electrical diagrams are for reference only. Light kits that are not packed with the fan must be UL Listed and marked suitable for use with the model fan you are installing. Switches must be UL General Use Switches. Refer to the Instructions packaged with the light kits

WARNING

TO REDUCE THE RISK OF FIRE, ELECTRIC SHOCK OR PERSONAL INJURY, MOUNT FAN TO OUTLET BOX MARKED ACCEPTABLE FOR FAN SUPPORT.

WARNING

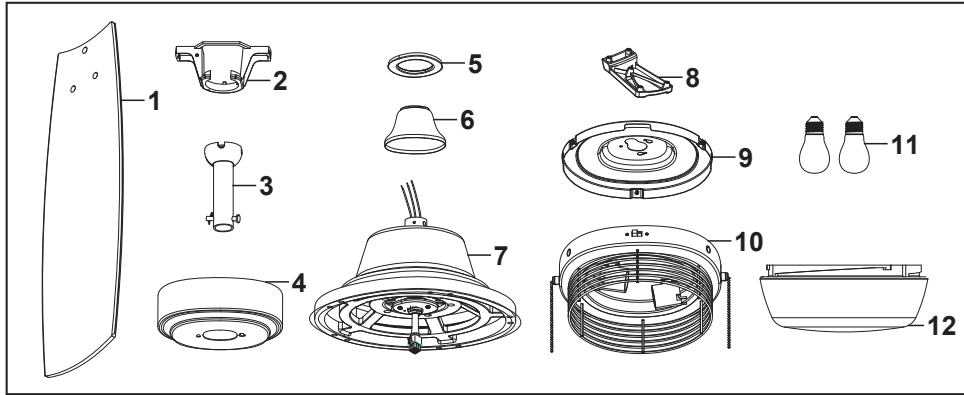
TO REDUCE THE RISK OF PERSONAL INJURY, DO NOT BEND THE BLADE ARMS (ALSO REFERRED TO AS BRACKETS) DURING ASSEMBLY OR AFTER INSTALLATION. DO NOT INSERT OBJECTS IN THE PATH OF THE BLADES.

5. The outlet box and support structure must be securely mounted and capable of reliably supporting a minimum of 35 lbs (15.9 kg) or less. Use only UL-listed outlet boxes marked **FOR FAN SUPPORT**.
6. The fan must be mounted with a minimum of 7 ft (2.1m) clearance from the trailing edge of the blades to the floor.
7. To operate the reverse function on this fan, slide the reverse switch to the opposite position. Do not operate reverse switch while fan blades are in motion. Fan must be turned off and blades stopped before reversing blade direction.
8. Avoid placing objects in the path of the blades.

NOTE

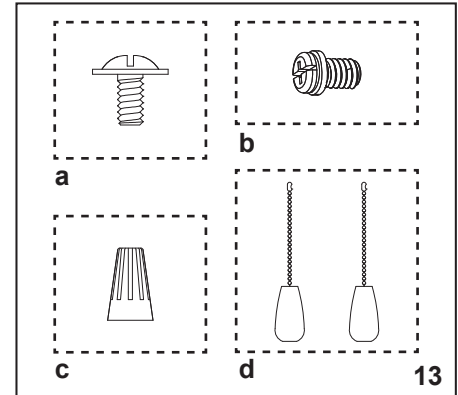
READ AND SAVE ALL INSTRUCTIONS!

1. Safety Rules



Unpack your fan and check the contents. You should have the following items:

- | | |
|-------------------------|-----------------------|
| 1.Fan blades (5) | 7.Fan motor assembly |
| 2.Hanger bracket | 8.Blade irons (5) |
| 3.Ball/downrod assembly | 9.Switch housing |
| 4.Canopy | 10.Light kit assembly |
| 5.Decorative cover | 11.LED bulbs (2) |
| 6.Coupling cover | 12.Acrylic shade |



13.Loose parts bag containing:

- a.Blade screws (16)
- b.Blade iron screws (11)
- c.Mounting hardware
- Wire nuts (4)
- d.Large Wood Pendant w/Coupling(2)

Unpacking Your Fan 2.

Tools Required

Phillips screw driver, straight slot screw driver, adjustable wrench, step ladder, and wire cutters.

Mounting Options

If there isn't an existing UL listed mounting box, then read the following instructions. Disconnect the power by removing fuses or turning off circuit breakers.

Secure the outlet box directly to the building structure. Use appropriate fasteners and building materials. The outlet box and its support must be able to fully support the moving weight of the fan (at least 35 lbs). Do not use plastic outlet boxes.

WARNING
TO REDUCE THE RISK OF FIRE, ELECTRIC SHOCK, OR OTHER PERSONAL INJURY, MOUNT FAN ONLY TO AN OUTLET BOX MARKED ACCEPTABLE FOR FAN SUPPORT AND USE THE MOUNTING SCREWS PROVIDED WITH THE OUTLET BOX. OUTLET BOXES COMMONLY USED FOR THE SUPPORT OF LIGHTING FIXTURES MAY NOT BE ACCEPTABLE FOR FAN SUPPORT AND MAY NEED TO BE REPLACED. CONSULT A QUALIFIED ELECTRICIAN IF IN DOUBT.

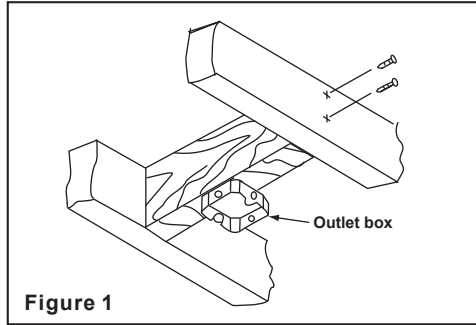


Figure 1

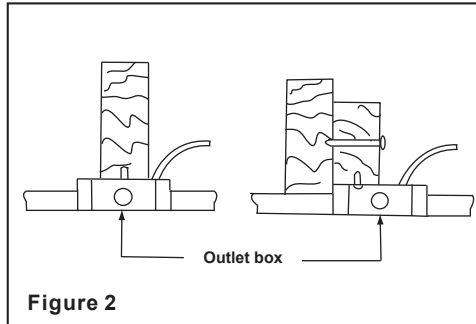


Figure 2

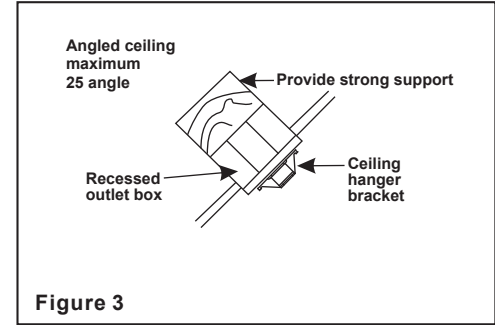


Figure 3

Note: You may need a longer downrod to maintain proper blade clearance when installing on a steep, sloped ceiling.

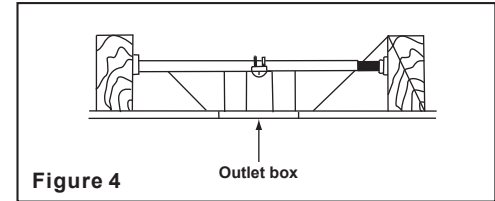


Figure 4

To hang your fan where there is an existing fixture but no ceiling joist, you may need an installation hanger bar as shown in Figure 4 (available at your Progress Lighting Retailer).

3. Installing Your Fan

Hanging the Fan

REMEMBER to turn off the power. Follow the steps below to hang your fan properly:

Step 1. Pass the 120-volt supply wires through the center hole in the ceiling hanger bracket as shown in Fig. 5.

Step 2. Secure the hanger bracket to the ceiling outlet box with the screws and washers provided with your outlet box.

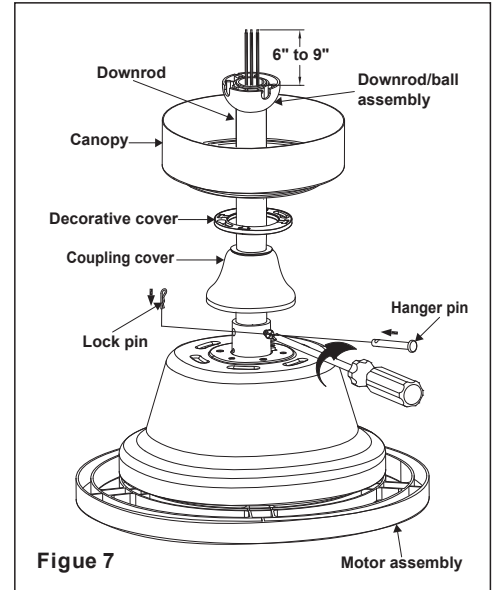
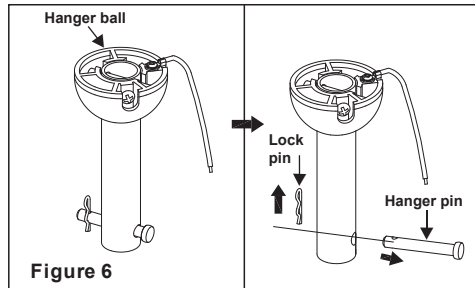
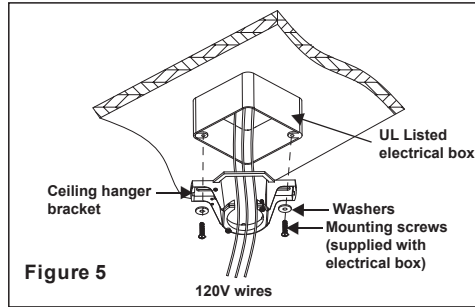
Step 3. Remove the hanger pin, lock pin and set screws from the top of the motor assembly. (Fig. 6)

Step 4. Route wires exiting from the top of the fan motor through the coupling cover, decorative cover, canopy and then through the downrod. (Fig. 7)

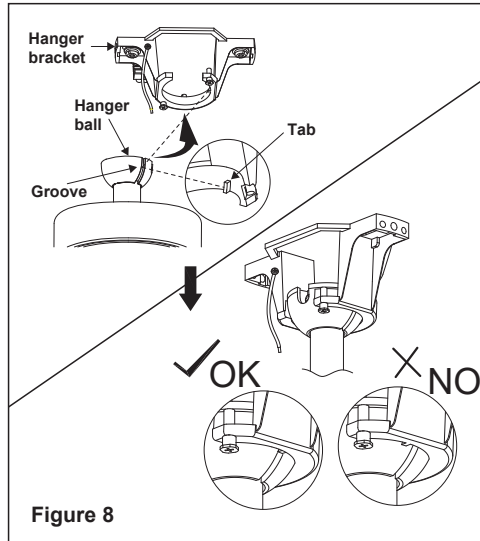
WARNING
FAILURE TO PROPERLY INSTALL
LOCK PIN AS NOTED IN STEP 5
COULD RESULT IN FAN LOOSENING AND
POSSIBLY FALLING.

Step 5. Align the holes at the bottom of the downrod with the holes in the collar on top of the motor housing (Fig. 7). Carefully insert the hanger pin through the holes in the collar and downrod. Be careful not to jam the pin against the wiring inside the

downrod. Insert the lock pin through the hole near the end of the hanger pin until it snaps into its locked position, and tighten set screws as shown in Fig.7. Cut off excess fixture wires leaving approximately 6 to 9 inches above top of hanger ball/downrod assembly.



Step 6. Carefully lift the assembly and rest the hanger ball of downrod assembly on the hanger bracket attached to the outlet box. Be sure the groove in the hanger ball is lined up with the tab on the hanger bracket. (Fig.8)

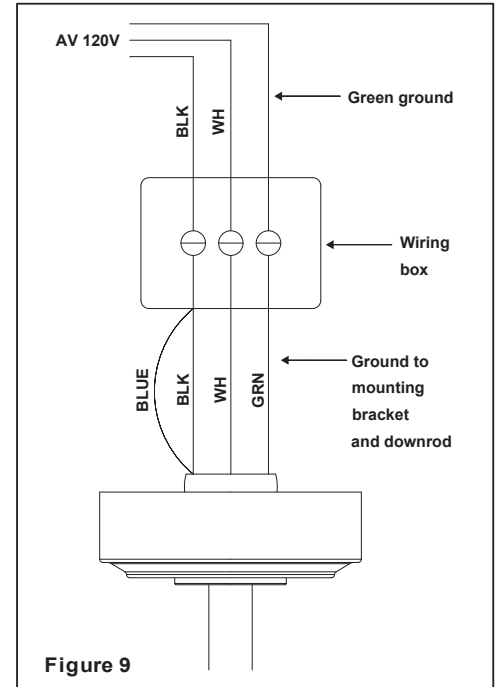


Make the Electric Connections

WARNING:To avoid possible electrical shock, be sure electricity is turned off at the main fuse box before wiring.

WARNING: If you feel you do not have enough electrical wiring knowledge or experience, have your fan installed by a licensed electrician.

Step 1. Motor to house supply wires electrical connections: Connect the black (hot) wire from the ceiling to the black wire and blue wire from the motor. Connect the white (neutral) wire from the ceiling to the white wire from the motor. (Fig.9) Secure all wire connections with the plastic wire nuts provided.



Finishing the Installation

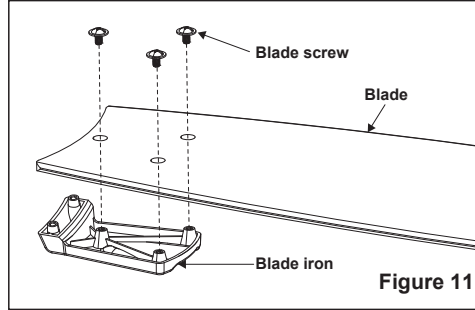
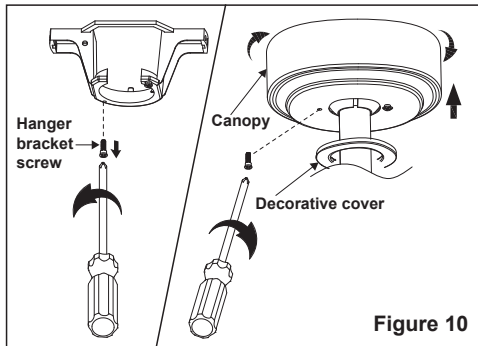
Step 1. Tuck connections neatly into ceiling outlet box.

Step 2. Slide the canopy up to mounting bracket and place the key hole on the canopy over the screw on the mounting bracket, turn canopy until it locks in place at the narrow section of the key holes. (Fig. 10)

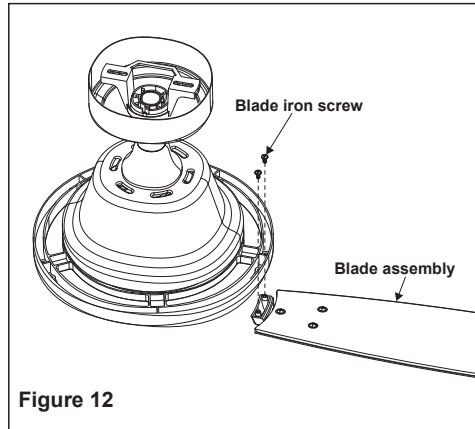
Step 3. Align the circular hole on canopy with the remaining hole on the mounting bracket, secure by tightening the two set screws. Note: Adjust the canopy screws as necessary until the canopy and canopy cover are snug.

WARNING

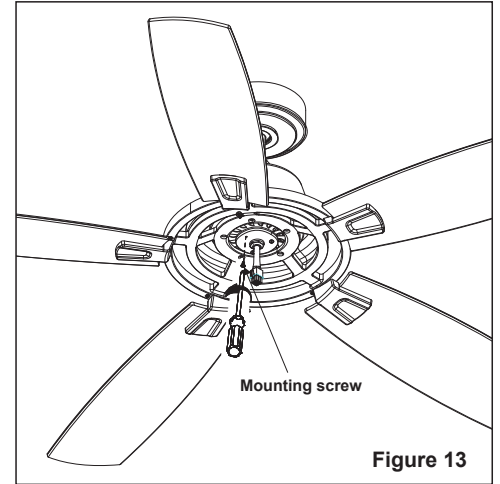
Make sure the notch on the hanging bracket properly sits in the groove in the hanger ball before attaching the canopy to the bracket by turning the housing until it drops into place.



Step 4. Attach blade to the blade iron using three (3) blade screws as shown in Figure 11. Repeat this step for the remaining blades. Tighten the screws securely.



Step 5. Attach blade assembly to the motor assembly using 2 blade iron screws as shown in Figure 12. Repeat this step for the remaining blade assemblies. Tighten the screws securely.



Step 6. Remove one of the mounting screws on mounting plate of motor assembly, then loosen the other two. (Figure 13)

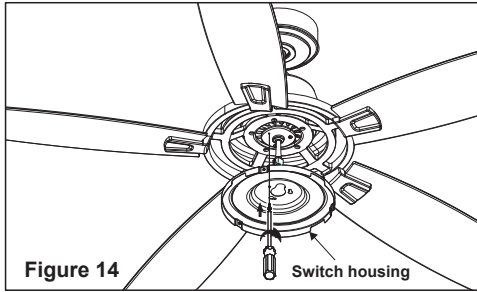


Figure 14

Step 7. Insert the wires with 9-pin connectors from the motor assembly through the center hole in the switch housing. Attach the switch housing to the mounting plate on the motor assembly by placing the keyhole slots from the switch housing onto the two protruding mounting screws heads. Adjust the switch housing until the screw heads are aligned with the keyholes, then re-install the mounting screw previously removed on step 6. Tighten all mounting screws securely. (Figure 14)

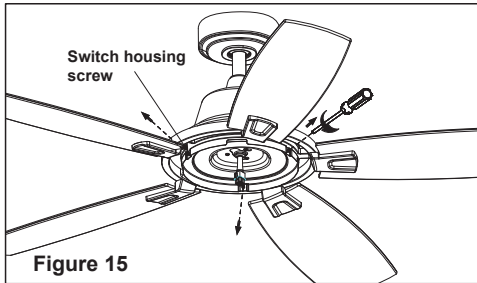


Figure 15

7.

Step 8. Remove all three screws preinstalled on the side of the switch housing and keep for later use. (Figure 15)

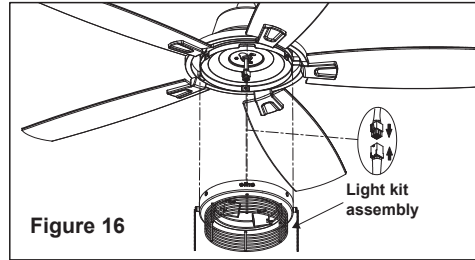


Figure 16

Step 9. Make sure to align the cutout on the switch housing with the reverse switch on the light kit assembly. Securely attach 9-pin connectors from motor assembly to the light kit assembly. Finally assemble the light kit assembly to the switch housing using the previously removed screws and securely tighten all three screws. (Figure 16)

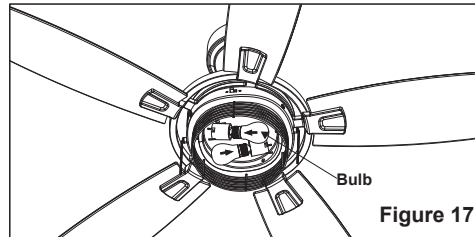


Figure 17

Step 10. Insert two MAXIMUM 6W E26 LED bulbs (included) into lamp holders. Dry your hands before installing bulbs. Keeping the bulbs clean is important as useful lifetime of a dirty bulb could be shorter than a clean bulb. (Figure 17)

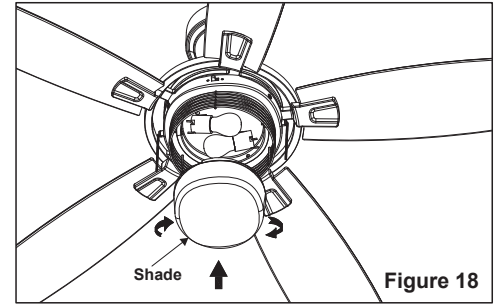


Figure 18

Step 11. Secure the shade to switch housing by twisting in a clockwise direction. Do not over-tighten.

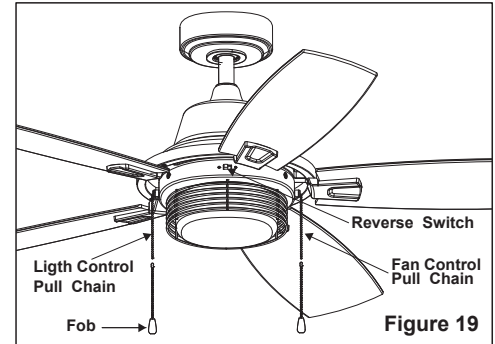


Figure 19

Step 12. Connect the fobs to the appropriate pull chains as shown in Figure 19.

The fob marked with a fan image is for motor speed control: High , medium , Low and off. Pull once for each position.

The fob marked with a lamp image controls the light, either ON or OFF with each pull of the chain.

Blade Balancing

All blades are grouped by weight. Because natural woods vary in density, the fan may wobble even though the blades are weighed equally.

The following procedure should correct most fan wobbling problems. Check after each step.

1. Check that all blade and blade arm screws are secure.
2. Most fan wobbling problems are caused when blade levels are unequal. Check this level by selecting a point on the ceiling above the tip of one of the blades. Measure this distance as shown in Figure 20. Rotate the fan until the next blade is positioned for measurement. Repeat for each blade. The distance deviation should be equal within 1/8".
3. If the blade wobble is still noticeable, interchanging two adjacent (side by side) blades can redistribute the weight and possibly result in smoother operation.

WARNING
TO REDUCE THE RISK OF PERSONAL INJURY, DO NOT BEND THE BLADE HOLDERS WHILE INSTALLING, BALANCING THE BLADES, OR CLEANING THE FAN. DO NOT INSERT FOREIGN OBJECTS BETWEEN ROTATING FAN BLADES.

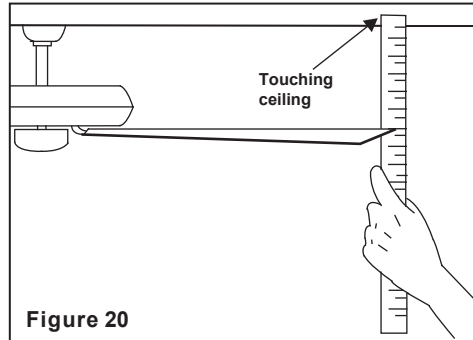


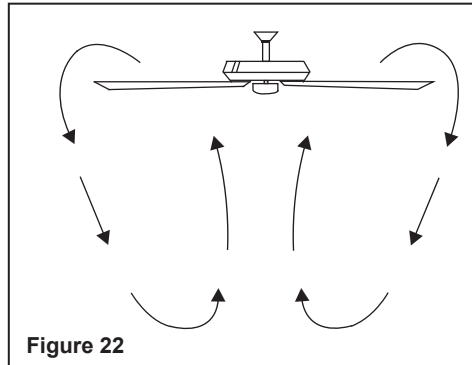
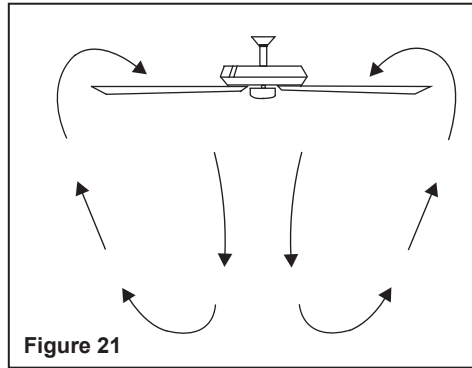
Figure 20

Speed settings for warm or cool weather depend on factors such as the room size, ceiling height, number of fans and so on.

NOTE: to operate the reverse function on this fan, slide the reverse switch to the opposite position. Do not operate reverse switch while fan blades are in motion. Fan must be turned off and blades stopped before reversing blade direction.

Warm weather - (Forward) A downward airflow creates a cooling effect as shown in Fig. 21. This allows you to set your air conditioner on a warmer setting without affecting your comfort.

Cool weather - (Reverse) An upward airflow moves warm air off the ceiling area as shown in Fig. 22. This allows you to set your heating unit on a cooler setting without affecting your comfort.



Here are some suggestions to help you maintain your fan

1. Because of the fan's natural movement, some connections may become loose. **Check the support connections, brackets, and blade attachments twice a year.** Make sure they are secure. **(It is not necessary to remove fan from ceiling.)**
2. Clean your fan periodically to help maintain its new appearance over the years. Use only a soft brush or lint-free cloth to avoid scratching the finish. The plating is sealed with a lacquer to minimize discoloration or tarnishing. Do not use water when cleaning. This could damage the motor, or the wood, or possibly cause an electrical shock.
3. You can apply a light coat of furniture polish to the wood blades for additional protection and enhanced beauty. Cover small scratches with a light application of shoe polish.
4. **There is no need to oil your fan.** The motor has permanently lubricated bearings.

IMPORTANT
MAKE SURE THE POWER IS OFF AT THE ELECTRICAL PANEL BOX BEFORE YOU ATTEMPT ANY REPAIRS. REFER TO THE SECTION "MAKING ELECTRICAL CONNECTIONS"

9. Care of Your Fan

Problem

Solution

Fan will not start.

1. Check circuit fuses or breakers.
2. Check line wire connections to the fan and switch wire connections in the switch housing.
CAUTION: Make sure main power is off.

Fan sounds noisy.

1. Make sure all motor housing screws are snug.
2. Make sure the screws that attach the fan blade bracket to the motor hub is tight.
3. Make sure wire nut connections are not rubbing against each other or the interior wall of the switch housing.
CAUTION: Make sure main power is off.
4. Allow a 24-hour "breaking-in" period. Most noise associated with a new fan disappear during this time.
5. If using an optional light kit, make sure the screws securing the glassware are tight. Check that light bulb is also secure.
6. Make sure the upper canopy is a short distance from the ceiling. It should not touch the ceiling.

Troubleshooting 10.

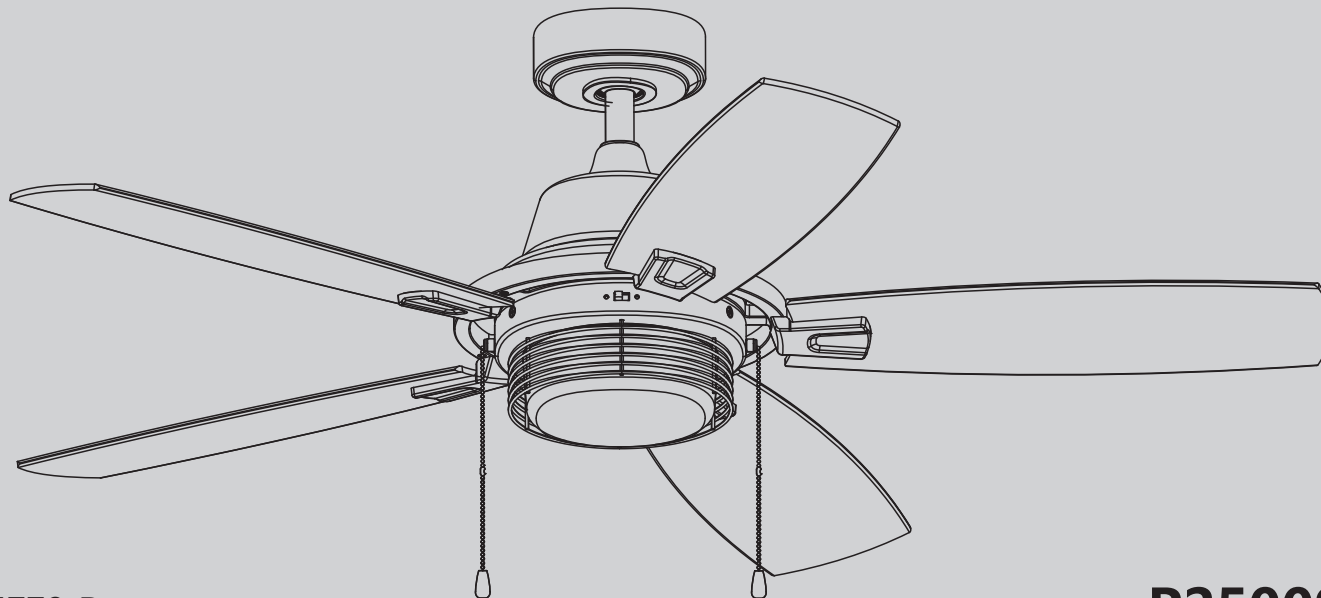
Fan Size	Speed	Volts	Amps	Watts	RPM	CFM	N.W.	G.W.	C.F.
52"	Low	120	0.21	11.42	68	1829.70	17.19 lbs	20.06 lbs	2.46'
	High	120	0.48	57.56	167	4569.72			

These are approximate measures. They do not include Amps and Wattage used by the light kit.

©2022 Progress Lighting, Inc.
701 Millennium Blvd.,
Greenville, SC 29607
All Rights Reserved

11. Specifications

Manual de instalación del ventilador de techo



93164770_B

P250095

Garantía Limitada Vitalicia

Los motores de ventilador tienen una garantía sin defectos eléctricos y/o mecánicos para el comprador original durante el tiempo que el comprador original sea propietario del ventilador. Los interruptores de cordón o cadena, los interruptores de inversión, los condensadores y los acabados metálicos están garantizados como libres de defectos en los materiales o en la mano de obra durante un período de 1 año a partir de la fecha de compra. La deformación de las aspas de madera o plástico no está cubierta por esta garantía, ni tampoco la corrosión y/o el deterioro de los acabados de los ventiladores instalados a menos de diez millas de cualquier costa marítima. Es posible que se apliquen garantías ampliadas para los productos calificados como ENERGY STAR®.

Los ventiladores Progress Lighting de techo con fuentes de luz LED incorporadas, cuando se instalan correctamente y en condiciones normales de uso, están garantizados contra defectos de materiales y mano de obra que hagan que las fuentes de luz no funcionen de acuerdo con las especificaciones durante (i) cinco (5) años a partir de la fecha de compra en los módulos de luz LED y los componentes eléctricos para los ventiladores utilizados en residencias unifamiliares, y (ii) tres (3) años a partir de la fecha de compra en los módulos de luz LED y los componentes eléctricos para ventiladores utilizados en aplicaciones multi-familiares o comerciales. Las bombillas LED suministradas por Progress Lighting no tienen más garantía que la del fabricante. Las bombillas no LED no están cubiertas por la garantía.

Con la prueba de compra, el comprador original puede devolver el ventilador defectuoso al lugar de compra durante los primeros 30 días para su sustitución. El comprador original DEBE ponerse en contacto con Progress Lighting al (864) 678-1000, después de 30 días, para la reparación o el reemplazo que se determinará a la entera discreción de Progress Lighting y será el único y exclusivo recurso del comprador.

No se incluye la mano de obra ni el envío. Los gastos de mano de obra (incluidos, entre otros, los honorarios del electricista) necesarios para instalar, desmontar o reparar un ventilador o cualquier pieza del mismo no están cubiertos por esta garantía.

Esta garantía no se aplicará a ninguna pérdida o daño resultante de (i) el desgaste normal o la alteración, el mal uso, el abuso o la negligencia, o (ii) la instalación, el funcionamiento, la reparación o el mantenimiento inadecuados por parte del comprador original o de un tercero, incluyendo, sin limitación, el suministro de voltaje inadecuado o la subida de tensión, el uso de piezas o accesorios inadecuados, la reparación no autorizada (realizada o intentada) o la falta de mantenimiento del ventilador.

LAS GARANTÍAS ANTERIORES ESTABLECEN LA OBLIGACIÓN DE GARANTÍA COMPLETA DE PROGRESS LIGHTING Y EL ÚNICO Y EXCLUSIVO RECURSO DEL COMPRADOR ORIGINAL EN RELACIÓN CON DICHS PRODUCTOS. PROGRESS LIGHTING NO SE HACE RESPONSABLE DE LOS DAÑOS (INCLUIDOS AQUELLOS INDIRECTOS, ESPECIALES, INCIDENTALES O DERIVADOS), DEBIDOS A FALLOS DEL PRODUCTO, YA SEAN POR EL INCUMPLIMIENTO DE LA GARANTÍA, EL INCUMPLIMIENTO DEL CONTRATO U OTRO MOTIVO. ESTA GARANTÍA SE OTORGA EN LUGAR DE TODAS LAS DEMÁS GARANTÍAS, YA SEAN EXPRESAS O IMPLÍCITAS, INCLUIDAS LAS DE COMERCIABILIDAD, IDONEIDAD PARA UN FIN DETERMINADO O NO INFRACCIÓN.

Algunos estados no permiten la limitación de la duración de una garantía implícita o la exclusión o limitación de los daños incidentales o consecuentes, por lo que las limitaciones y exclusiones anteriores pueden no aplicarse en su caso. Esta garantía otorga derechos específicos, que junto a otros derechos, pueden variar de un estado a otro.

Fecha de compra _____

Compra realizada en la tienda _____

Nº. de modelo _____ P250095

Nº. de serie. _____

Nº. de proveedor _____ 126900

785247266814

785247266821

UPC 785247266807



Normas de seguridad.....	1.
Desembalando el ventilador	2.
Instalación del ventilador	3.
Cuidados del ventilador	9.
Solución de problemas	10.
Especificaciones	11.

Índice

1. Para reducir el riesgo de descarga eléctrica, asegúrese de que la electricidad ha sido desconectada en el interruptor principal o la caja de fusibles antes de comenzar.
2. El cableado debe cumplir el Código Eléctrico Nacional y los códigos eléctricos locales. La instalación eléctrica debe ser realizada por un electricista calificado con licencia.
3. **ADVERTENCIA:** Para reducir el riesgo de descarga eléctrica e incendio, no utilice este ventilador con ningún dispositivo de control de velocidad del ventilador de estado sólido.
4. **ADVERTENCIA:** Para reducir el riesgo de incendio, descarga eléctrica o lesiones personales, monte una caja de distribución marcada como "Aceptable para el soporte del ventilador de 15,9 kg (35 lbs.) O menos" y utilice los tornillos de montaje proporcionados con la caja de distribución. La mayoría de las cajas de distribución comúnmente utilizadas para el soporte de lámparas no son aceptables para el soporte del ventilador y es posible que deban reemplazarse. Debido a la complejidad de la instalación de este ventilador, se recomienda enfáticamente la intervención de un electricista autorizado y calificado.
9. Preste atención al trabajar alrededor o limpiar el ventilador para evitar lesiones personales o daños al ventilador y a otros elementos.
10. No utilice agua ni detergentes para limpiar el ventilador o las aspas. Un paño seco o ligeramente humedecido será adecuado para la mayoría de las limpiezas.
11. Tras conectar las conexiones eléctricas, los conductores empalmados deben ser girados hacia arriba y empujados cuidadosamente hacia la caja de distribución. Los cables deben estar separados con el conductor de conexión a tierra y el conductor de conexión a tierra del equipo en un lado de la caja de distribución.
12. Los diagramas eléctricos son sólo para referencia. Los kits de iluminación que no están empacados con el ventilador deben estar homologada por UL y marcados como adecuados para usar con el modelo de ventilador instalando. Los interruptores deben ser interruptores UL de uso general. Consulte las instrucciones que acompañan a los kits de iluminación

ADVERTENCIA

PARA REDUCIR EL RIESGO DE INCENDIO, DESCARGA ELÉCTRICA O LESIONES PERSONALES, MONTE EL VENTILADOR EN UNA CAJA DE DISTRIBUCIÓN INDICADA COMO ACEPTABLE PARA EL SOPORTE DEL VENTILADOR.

5. La caja de salida y la estructura de soporte deben estar montadas de forma segura y ser capaces de soportar de forma fiable un mínimo de 35 libras (15,9 kg) o menos. Utilice únicamente cajas de distribución con certificación UL marcadas como "**SOPORTE DEL VENTILADOR**".
6. El ventilador debe montarse con un espacio mínimo de 2,1 m desde el borde de salida de las aspas hasta el suelo.
7. Para usar la función reversa en este ventilador, active el interruptor de reversa en la posición opuesta. No accione el interruptor de inversión mientras las aspas del ventilador estén en movimiento. El ventilador debe estar apagado y las aspas detenidas antes de invertir la dirección de las aspas.
8. Evite colocar objetos en la trayectoria de las aspas.

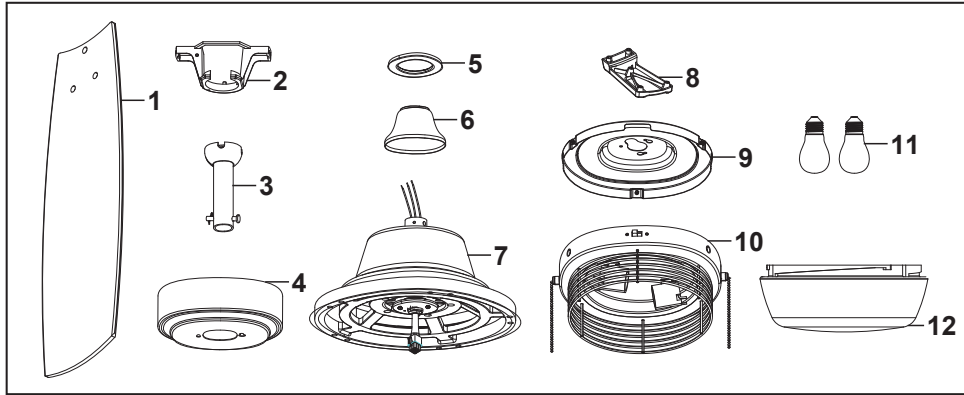
ADVERTENCIA

PARA REDUCIR EL RIESGO DE LESIONES PERSONALES, NO DOBLE LOS BRAZOS DE LAS ASPAS (TAMBIÉN LLAMADOS SOPORTES) DURANTE EL MONTAJE O DESPUÉS DE LA INSTALACIÓN. NO INTERPONGA OBJETOS EN LA TRAYECTORIA DE LAS ASPAS.

AVISO IMPORTANTE

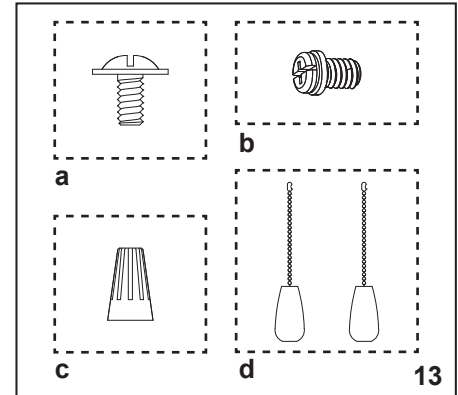
¡LEA Y GUARDE ESTAS INSTRUCCIONES DE USO!

1. Normas de seguridad



Desembale su ventilador y compruebe el contenido. Debe disponer de los siguientes componentes:

- | | |
|--------------------------------------|--------------------------------------|
| 1. Aspas del ventilador (5) | 7. Conjunto del motor del ventilador |
| 2. Soporte de suspensión | 8. Aspas (5) |
| 3. Conjunto de bola/tija descendente | 9. Carcasa del interruptor |
| 4. Florón superior | 10. Conjunto del kit de luces |
| 5. Tapa decorativa | 11. Bombillas LED (2) |
| 6. Tapa de acoplamiento | 12. Pantalla acrílica |



13. Bolsa de piezas sueltas que contiene:

- a. Tornillos de las aspas (16)
- b. Tornillos del soporte de las aspas (11)
- c. Accesorios de montaje
Empalmes plásticos (4)
- d. Colgante grande de madera con
acoplamiento (2)

Desembalando el ventilador 2.

Herramientas necesarias

Destornillador Phillips, destornillador de ranura recta, llave inglesa, escalera de mano y corta alambres.

Opciones de montaje

Si no existe una caja de montaje homologada por UL, lea las siguientes instrucciones. Desconecte la corriente eléctrica quitando los fusibles o apagando los disyuntores.

Asegure la caja de distribución directamente a la estructura del edificio. Utilice elementos de fijación y materiales de construcción adecuados. La caja de distribución y su soporte deben ser capaces de soportar completamente el peso en movimiento del ventilador (al menos 18,88 Kg). No utilice cajas de distribución de plástico.

ADVERTENCIA

PARA REDUCIR EL RIESGO DE INCENDIO, DESCARGA ELÉCTRICA U OTRAS LESIONES PERSONALES, MONTE EL VENTILADOR SÓLO EN UNA CAJA DE DISTRIBUCIÓN INDICADA COMO ACEPTABLE PARA EL SOPORTE DEL VENTILADOR Y UTILICE LOS TORNILLOS DE MONTAJE SUMINISTRADOS CON LA CAJA DE DISTRIBUCIÓN. LAS CAJAS DE TOMA DE CORRIENTE COMÚNMENTE UTILIZADAS PARA EL SOPORTE DE ACCESORIOS DE ILUMINACIÓN PUEDEN NO SER ACEPTABLES PARA EL SOPORTE DEL VENTILADOR Y PUEDEN NECESITAR SER REEMPLAZADAS. CONSULTE A UN ELECTRICISTA CUALIFICADO EN CASO DE DUDA.

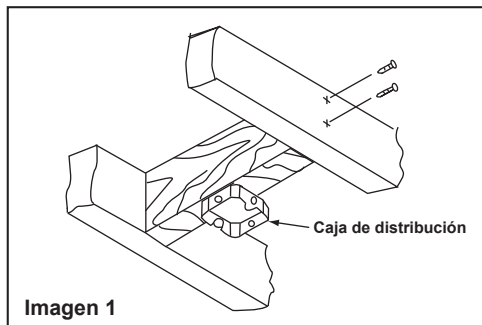


Imagen 1

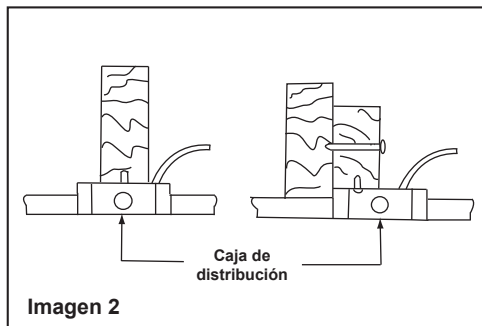


Imagen 2

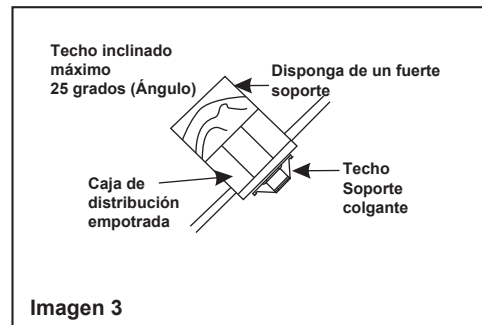


Imagen 3

Aviso: Puede que necesite una tija descendente más larga para mantener la distancia adecuada de la aspa cuando se instala en un techo empinado e inclinado.

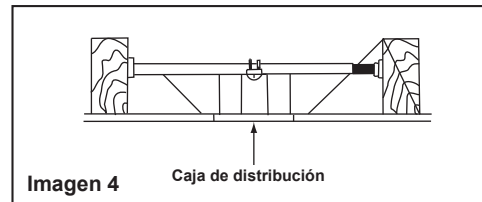


Imagen 4

Para colgar el ventilador donde hay una luminaria existente, pero no hay viga de techo, puede necesitar una barra de suspensión de instalación como se muestra en la imagen 4 (disponible en tu distribuidor de Progress Lighting).

3. Cómo instalar el ventilador

Instalación del ventilador en el techo

RECUERDE desconectar la alimentación. Siga los siguientes pasos para colgar su ventilador correctamente:

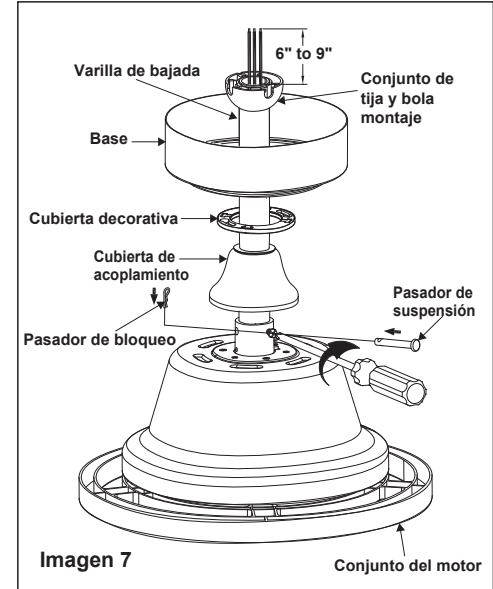
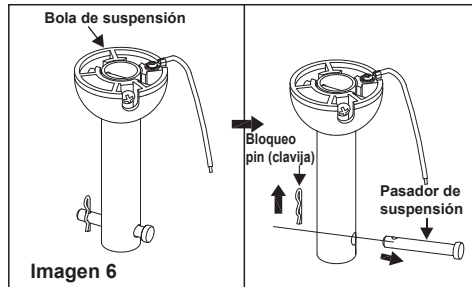
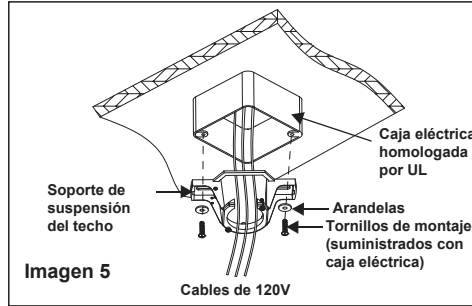
Paso 1. Pase los cables de alimentación de 120 voltios a través del orificio central del soporte de suspensión del techo, como se muestra en la Fig. 5.

Paso 2. Fije el soporte de suspensión a la caja de salida del techo con los tornillos y las arandelas suministrados con su caja de salida.

Paso 3. Retire el pasador de suspensión, el pasador de bloqueo y los tornillos de fijación de la parte superior del conjunto del motor. (Fig. 6)

Paso 4. Dirija los cables que salen de la parte superior del motor del ventilador a través de la cubierta de acoplamiento, la cubierta decorativa, la marquesina y luego a través de la varilla de bajada. (Imagen 7)

Inserte el pasador de bloqueo a través del orificio cerca del extremo del pasador de suspensión hasta que encaje en su posición de bloqueo, y apriete los tornillos de fijación como se muestra en la imagen 7. Corte el exceso de cables dejando aproximadamente de 15 a 23 cm por encima del conjunto de bola de suspensión/varilla de bajada.

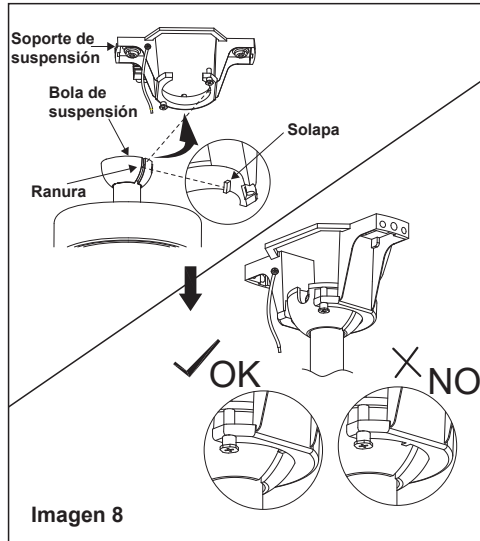


ADVERTENCIA

SI NO SE INSTALA CORRECTAMENTE EL PASADOR DE BLOQUEO COMO SE INDICA EN EL PASO 5, EL VENTILADOR PODRÍA AFLOJARSE Y POSIBLEMENTE CAERSE

Paso 5. Alinee los agujeros de la parte inferior de la varilla de bajada con los agujeros del collarín de la parte superior del alojamiento del motor (Fig. 7). Introduzca con cuidado el pasador de suspensión a través de los orificios del collarín y de la varilla de bajada. Tenga cuidado de no atascar el pasador contra el cableado dentro de la tija descendente.

Paso 6. Levante con cuidado el conjunto y apoye la bola de suspensión del conjunto de la barra de bajada en el soporte de suspensión fijado a la caja de salida. Asegúrese de que la ranura de la bola de suspensión esté alineada con la lengüeta del soporte de suspensión. (Imagen 8)

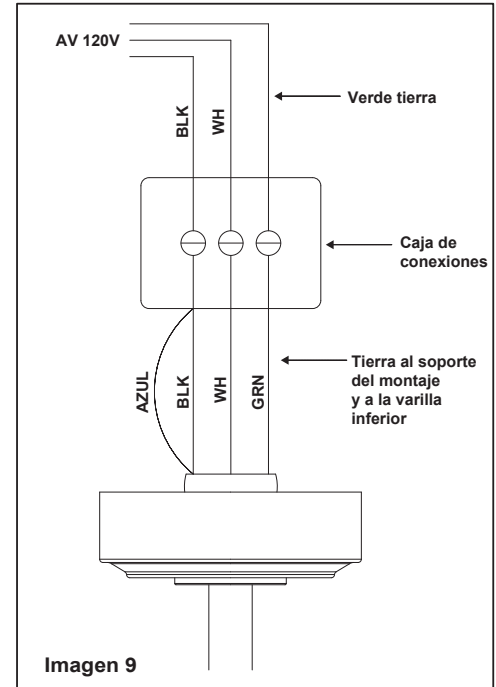


Conexiones eléctricas

ADVERTENCIA: Para evitar posibles descargas eléctricas, antes pasar al cableado, asegúrese de que la electricidad está desconectada en la caja de fusibles principal.

ADVERTENCIA: Si cree que no tiene suficientes conocimientos o experiencia en cableado eléctrico, encargue la instalación de su ventilador a un electricista autorizado.

Paso 1. Conexiones eléctricas del motor a los cables de alimentación de la casa: Conecte el cable negro (fase) del techo al cable negro y al cable azul del motor. Conecte el cable blanco (neutro) del techo al cable blanco del motor. (Imagen 9) Fije todas las conexiones de los cables con los empalmes de plástico suministrados.



Finalizando la instalación

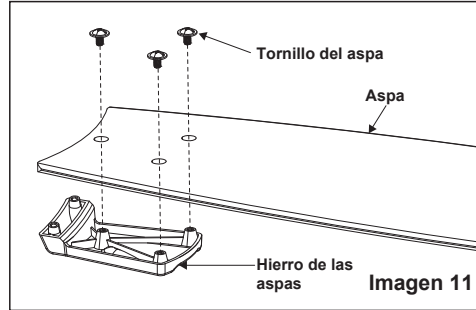
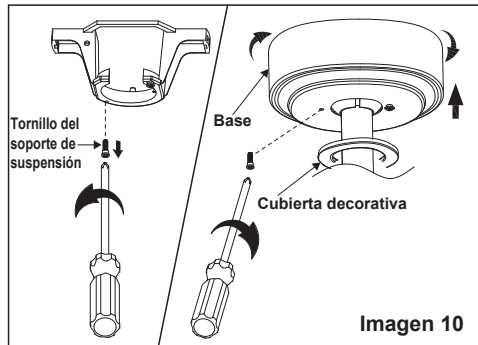
Paso 1. Coloque las conexiones de forma ordenada en la caja de salida del techo.

Paso 2. Deslice la base hasta el soporte de montaje y coloque el orificio de la llave en la base sobre el tornillo del soporte de montaje, gire la base hasta que se bloquee en la sección estrecha de los orificios de la llave. (Imagen 10)

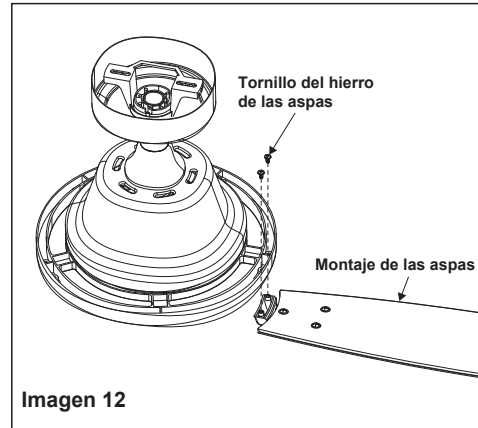
Paso 3. Alinee el orificio circular de la base con el orificio restante del soporte de montaje, fíjelo apretando los dos tornillos de fijación. Nota: Ajuste los tornillos de la base según sea necesario hasta que la base y su cubierta estén bien ajustadas.

ADVERTENCIA

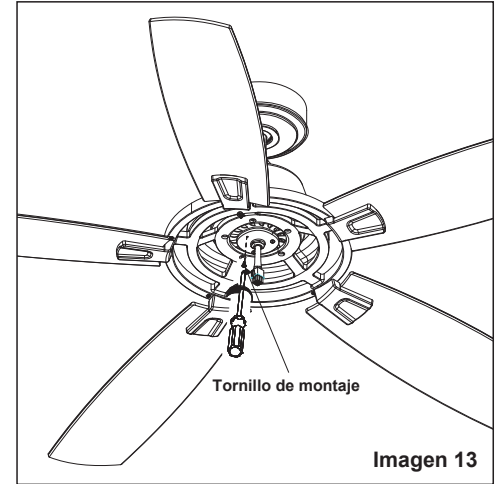
Asegúrese de que la muesca del soporte de suspensión se asienta correctamente en la ranura de la bola de suspensión antes de fijar la base en el soporte girando la carcasa hasta que caiga en su sitio.



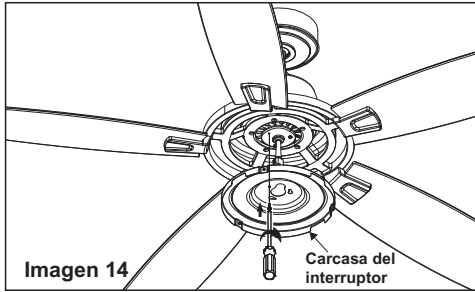
Paso 4. Fije el asa al soporte del asa usando tres (3) tornillos para las aspas como se muestra en la Figura 11. Repita este paso para las aspas restantes. Apriete bien los tornillos.



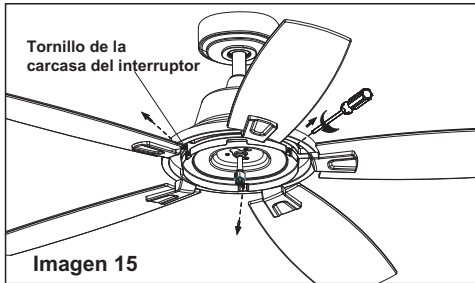
Paso 5. Fije el conjunto de aspas al conjunto del motor utilizando dos (2) tornillos de hierro de las aspas como se muestra en la imagen 12. Repita este paso para montar las aspas restantes. Apriete bien los tornillos.



Paso 6. Quite uno de los tornillos de montaje de la placa de montaje del conjunto del motor, luego afloje los otros dos. (Imagen 13)

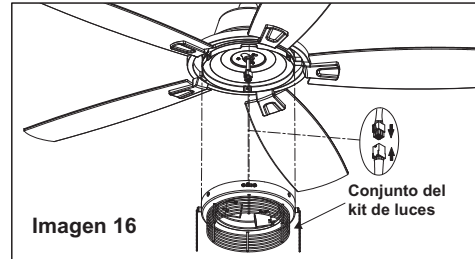


Paso 7. Introduzca los cables con conectores de 9 clavijas del conjunto del motor a través del orificio central de la carcasa del interruptor. Asegure la carcasa del interruptor a la placa de montaje del conjunto del motor colocando las ranuras del ojo de la cerradura de la carcasa del interruptor en las dos cabezas de los tornillos de montaje que sobresalen. Ajuste la carcasa del interruptor hasta que las cabezas de los tornillos estén alineadas con los orificios de la cerradura, luego vuelva a instalar el tornillo de montaje retirado previamente en el paso 6. Apriete bien todos los tornillos de montaje. (Imagen 14)

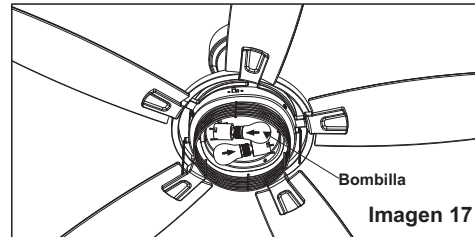


7.

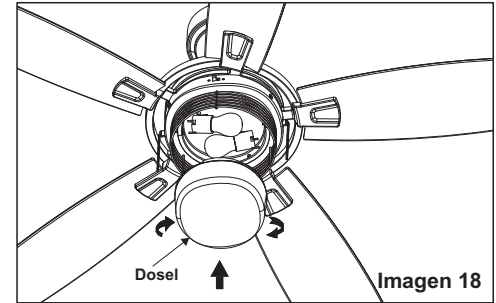
Paso 8. Retire los tres tornillos preinstalados en el lateral de la carcasa del interruptor y guárdelos para su uso posterior. (Imagen 15)



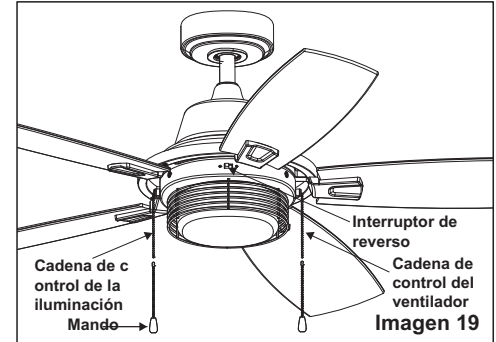
Paso 9. Asegúrese de alinear la muesca de la carcasa del interruptor con el interruptor de marcha atrás del conjunto del kit de luces. Conecte firmemente los conectores de 9 clavijas del conjunto del motor al conjunto del kit de luces. Por último, ensamble el conjunto del kit de luces a la carcasa del interruptor utilizando los tornillos retirados anteriormente y apriete firmemente los tres tornillos. (Imagen 16)



Paso 10. Coloque dos bombillas LED MÁXIMO 6W E26 (incluidas) en los portalámparas. Debe secarse las manos antes de poner las bombillas. Es importante mantener las bombillas limpias, ya que la vida útil de una bombilla sucia puede ser menor que la de una bombilla limpia. (Imagen 17)



Paso 11. Asegure el dosel a la carcasa del interruptor girando en el sentido de las agujas del reloj. No apriete demasiado.



Paso 12. Enganche las leotinas a las cadenas apropiadamente como se muestra en la imagen 19. El mando marcado con la imagen de un ventilador es para el control de la velocidad del motor: alta, media, baja y apagada. Tire una vez para cada posición. El mando marcado con la imagen de una lámpara controla la luz, ya sea encendida o apagada con cada tirón de la cadena.

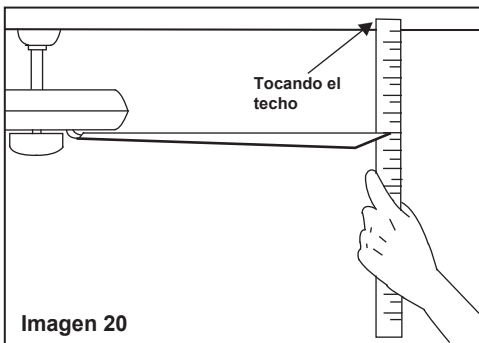
Equilibrado de las aspas

Todas las aspas están agrupadas por peso. Debido a que las maderas naturales varían en densidad, el ventilador puede tambalearse aunque las aspas tengan el mismo peso.

El siguiente procedimiento debería corregir la mayoría de los problemas de bamboleo del ventilador. Verifique cada paso.

1. Compruebe que todos los tornillos de las aspas y de los brazos de las aspas estén bien sujetos.
2. La mayoría de los problemas de bamboleo del ventilador son causados cuando los niveles de las aspas son desiguales. Compruebe este nivel seleccionando un punto en el techo por encima de la punta de una de las aspas. Mida esta distancia como se muestra en la imagen 20. Gire el ventilador hasta que el siguiente aspa esté posicionada para la medición. Repítalo en cada aspa. La desviación de la distancia debe ser igual a un rango de 3,175 mm.
3. Si el balanceo de las aspas sigue siendo perceptible, puede intercambiar dos aspas adyacentes (una al lado de la otra) para redistribuir el peso con más agilidad.

ADVERTENCIA
PARA REDUCIR EL RIESGO DE LESIONES PERSONALES, NO DOBLE LOS SOPORTES DE LAS ASPAS AL INSTALAR, EQUILIBRAR LAS ASPAS O LIMPIAR EL VENTILADOR. NO INTERPONGA OBJETOS EXTRAÑOS ENTRE LAS ASPAS GIRATORIAS DEL VENTILADOR.

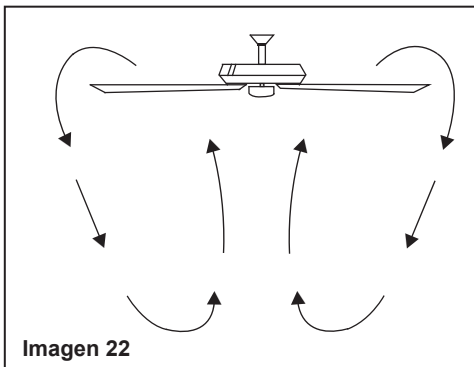
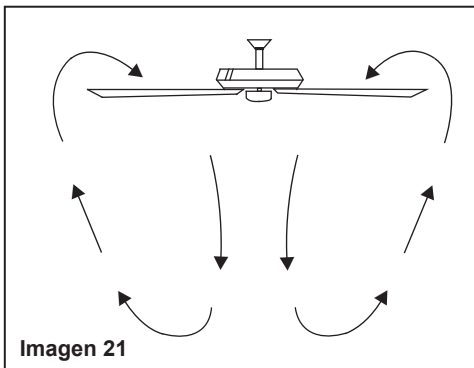


Los ajustes de velocidad para clima cálido o frío dependen de factores como el tamaño de la habitación, la altura del techo, el número de ventiladores, etc.

NOTA: para usar la función inversa en este ventilador, active el interruptor de inversión a la posición opuesta. No accione el interruptor de inversión mientras las aspas del ventilador estén en movimiento. El ventilador debe estar apagado y las aspas detenidas antes de invertir la dirección de las aspas.

Tiempo cálido - (Hacia adelante) Un corriente de aire hacia abajo crea un efecto de enfriamiento como se muestra en la imagen 21. Esto le permite poner el aire acondicionado en un ajuste más cálido sin afectar su comodidad.

Tiempo frío - (Hacia atrás) Una corriente de aire ascendente desplaza el aire caliente de la zona del techo como se muestra en la imagen 22. Esto le permite poner la unidad de calefacción en un ajuste más frío sin afectar a su comodidad.



Le damos algunas sugerencias a tener en cuenta para cuidar su ventilador

1. Debido al movimiento natural del ventilador, algunas conexiones pueden aflojarse. **Revise las conexiones del soporte, los soportes y las fijaciones de las aspas dos veces al año.** Asegúrese de que está todo bien firme. **(No es necesario retirar el ventilador del techo.)**

2. Limpie su ventilador periódicamente para ayudar a mantener un aspecto nuevo a lo largo de los años. Utilice sólo un cepillo suave o un paño sin pelusas para evitar rayar el acabado. El chapado está sellado con una laca para minimizar la decoloración o el deslustre. No utilice agua para limpiar el ventilador. Esto podría dañar el motor, o la madera, o posiblemente causar una descarga eléctrica.

3. Puede aplicar una ligera capa de cera para muebles a las aspas de madera para obtener una protección adicional y una mayor belleza. Cubra los pequeños arañazos con una ligera aplicación de betún para zapatos.

4. **No es necesario engrasar el ventilador.** El motor tiene rodamientos permanentemente lubricados.

AVISO IMPORTANTE
ASEGÚRESE DE QUE LA ENERGÍA ESTÁ
DESCONECTADA EN LA CAJA DE
CONTROLES ELÉCTRICO ANTES DE
INTENTAR CUALQUIER REPARACIÓN.
CONSULTE LA SECCIÓN "CÓMO HACER
LAS CONEXIONES ELÉCTRICAS"

9. Cuidado de su ventilador

Problema

Solución

El ventilador no se enciende.

- 1.Revise los fusibles o los disyuntores del circuito.
- 2.Revise las conexiones de los cables del ventilador y las conexiones de los cables del interruptor en la carcasa del interruptor.
PRECAUCIÓN: Asegúrese de que la alimentación principal está desconectada.

El ventilador hace ruido.

- 1.Asegúrese de que todos los tornillos de la carcasa del motor estén bien ajustados.
- 2.Asegúrese de que los tornillos que unen el soporte de aspas del ventilador al cuerpo del motor están bien ajustadas.
- 3.Asegúrese de que las conexiones de tuerca de cable no choquen unas con otras o con la pared interior de la caja del interruptor.
PRECAUCIÓN: Asegúrese de que la alimentación principal está desconectada.
- 4.Póngalo o déjelo en funcionamiento durante 24 horas. La mayoría de los ruidos asociados a un nuevo ventilador desaparecen durante este tiempo.
- 5.Si utiliza un kit de iluminación opcional, asegúrese de que los tornillos que aseguran la cristalería estén bien apretados.
Compruebe que la bombilla también está asegurada.
- 6.Asegúrese de que el florón superior esté a una corta distancia del techo. Pero no debe tocar el techo.

Solución de problemas 10.

Tamaño del ventilador	Velocidad	Voltios	Amperios	Vatios	RPM	PCM	P.N.	P.B.	M³
52"	Baja	120	0,21	11,42	68	1829,70	7,80 kg	9,099 kg	0,75
	Alta	120	0,48	57,56	167	4569,72			

Estas son medidas aproximadas. No incluyen los amperios y vatios utilizados por el kit de iluminación.

©2022 Progress Lighting, Inc.
701 Millennium Blvd.,
Greenville, SC 29607
Todos los derechos reservados

11. Especificaciones