

Ceiling Fan Installation Manual



Limited Lifetime Warranty

Progress Lighting fan motors are warranted to the original purchaser to be free of electrical and/or mechanical defects for so long as the original purchaser owns the fan. Pull chain switches, reverse switches, capacitors and metal finishes are warranted to be free from defects in materials or workmanship for a period of 1 year from the date of purchase. Warping of wooden or plastic blades is not covered by this warranty nor is corrosion and/or deterioration of any finishes for fans installed within ten miles of any sea coast. Extended warranties for ENERGY STAR® qualified products may apply.

Progress Lighting ceiling fans with built-in LED light sources, when properly installed and under normal conditions of use, are warranted to be free from defects in material and workmanship which cause the light sources to fail to operate in accordance with the specifications for (i) five (5) years from the date of purchase on the LED Light modules and electrical components for fans used in single family residences, and (ii) three (3) years from the date of purchase on the LED Light modules and electrical components for fans used in multi-family or commercial applications. LED bulbs supplied by Progress Lighting carry no warranty other than manufacturer's warranty. Non-LED bulbs carry no warranty.

With proof of purchase, the original purchaser may return the defective fan to the place of purchase during the first 30 days for replacement. After 30 days, the original purchaser MUST contact Progress Lighting at (864) 678-1000 for repair or replacement which shall be determined in Progress Lighting's sole discretion and shall be purchaser's sole and exclusive remedy.

Labor and Shipping Excluded. This warranty does not cover any costs or fees associated with the labor (including, but not limited to, electrician's fees) required to install, remove, or replace a fan or any fan parts.

This warranty shall not apply to any loss or damage resulting from (i) normal wear and tear or alteration, misuse, abuse or neglect, or (ii) improper installation, operation, repair or maintenance by original purchaser or a third party, including without limitation improper voltage supply or power surge, use of improper parts or accessories, unauthorized repair (made or attempted) or failure to provide maintenance to the fan.

THE FOREGOING WARRANTIES STATE PROGRESS LIGHTING'S ENTIRE WARRANTY OBLIGATION AND ORIGINAL PURCHASER'S SOLE AND EXCLUSIVE REMEDY RELATED TO SUCH PRODUCTS. PROGRESS LIGHTING IS NOT RESPONSIBLE FOR DAMAGES (INCLUDING INDIRECT, SPECIAL, INCIDENTAL OR CONSEQUENTIAL), DUE TO PRODUCT FAILURE, WHETHER ARISING OUT OF BREACH OF WARRANTY, BREACH OF CONTRACT, OR OTHERWISE. THIS WARRANTY IS GIVEN IN LIEU OF ALL OTHER WARRANTIES, WHETHER EXPRESSED OR IMPLIED, INCLUDING THOSE OF MERCHANTABILITY, FITNESS FOR A PARTICULAR PURPOSE OR NONINFRINGEMENT.

Some states do not allow limitations on how long an implied warranty lasts or the exclusion or limitations of incidental or consequential damages, so the above limitations and exclusions may not apply to you. This warranty gives you specific rights and you may have other rights which vary from state to state.

Date Purchased _____

Store Purchased _____

Model No. P250121

Serial No. _____

Vendor No. 109226

785247258840

785247258864

UPC 785247258857



Safety Rules.....	1.
Unpacking Your Fan	2.
Installing Your Fan	3.
Installing the Light Kit.....	7.
Operating Your Transmitter	8.
Care of Your Fan	10.
Troubleshooting	11.
Specifications	12.

Table of Contents

1. To reduce the risk of electric shock, insure electricity has been turned off at the circuit breaker or fuse box before beginning.
2. All wiring must be in accordance with the National Electrical Code and local electrical codes. Electrical installation should be performed by a qualified licensed electrician.
3. **WARNING:** To reduce the risk of electrical shock and fire, do not use this fan with any solid-state fan speed control device.
4. **WARNING:** To reduce the risk of fire, electric shock, or personal injury, mount to outlet box marked "Acceptable for Fan Support of 15.9 kg (35 lbs.) Or Less" and use mounting screws provided with the outlet box. Most outlet boxes commonly used for the support of light fixtures are not acceptable for fan support and may need to be replaced. Due to the complexity of the installation of this fan, a qualified licensed electrician is strongly recommended.
9. To avoid personal injury or damage to the fan and other items, be cautious when working around or cleaning the fan.
10. Do not use water or detergents when cleaning the fan or fan blades. A dry dust cloth or lightly dampened cloth will be suitable for most cleaning.
11. After making electrical connections, spliced conductors should be turned upward and pushed carefully up into the outlet box. The wires should be spread apart with the grounded conductor and the equipment-grounding conductor on one side of the outlet box.
12. Electrical diagrams are for reference only. Light kits that are not packed with the fan must be UL Listed and marked suitable for use with the model fan you are installing. Switches must be UL General Use Switches. Refer to the Instructions packaged with the light kits

WARNING

TO REDUCE THE RISK OF FIRE, ELECTRIC SHOCK OR PERSONAL INJURY, MOUNT FAN TO OUTLET BOX MARKED ACCEPTABLE FOR FAN SUPPORT.

5. The outlet box and support structure must be securely mounted and capable of reliably supporting a minimum of 35 lbs (15.9 kg) or less. Use only UL-listed outlet boxes marked **FOR FAN SUPPORT**.
6. The fan must be mounted with a minimum of 7 ft (2.1m) clearance from the trailing edge of the blades to the floor.
7. To operate the reverse function on this fan, press the reversing button while the fan is running.
8. Avoid placing objects in the path of the blades.

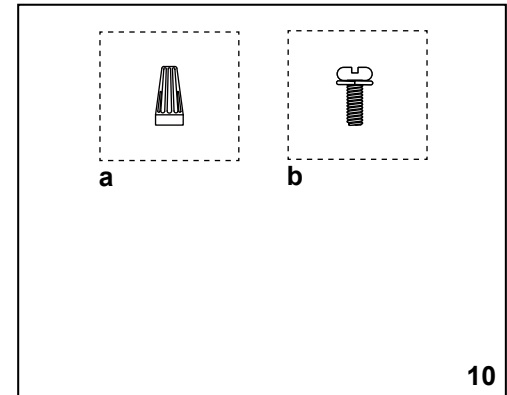
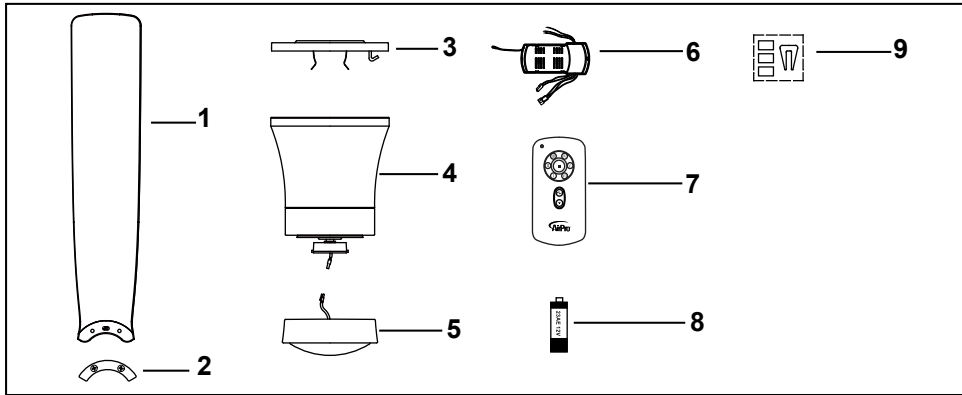
WARNING

TO REDUCE THE RISK OF PERSONAL INJURY, DO NOT BEND THE BLADE ARMS (ALSO REFERRED TO AS BRACKETS) DURING ASSEMBLY OR AFTER INSTALLATION. DO NOT INSERT OBJECTS IN THE PATH OF THE BLADES.

NOTE

READ AND SAVE ALL INSTRUCTIONS!

1. Safety Rules



Unpack your fan and check the contents. You should have the following items:

- | | |
|---|-------------------------|
| 1. Fan blades (3) | 8. 12V MN21/A23 battery |
| 2. Blade support plate with screw and lock washer (3) | 9. Balancing kit |
| 3. Mounting bracket | |
| 4. Fan motor assembly | |
| 5. 20W LED light kit | |
| 6. Receiver | |
| 7. Transmitter incl. holder + 2 mounting screws | |

10. Loose parts bag containing:

- a. Mounting hardware**
Wire nuts (3)
- b. Blade attachment hardware**
1 screw with lock washer (additional)

Unpacking Your Fan 2.

Tools Required

Phillips screw driver, straight slot screw driver, adjustable wrench, step ladder, and wire cutters.

Mounting Options

If there isn't an existing UL listed mounting box, then read the following instructions. Disconnect the power by removing fuses or turning off circuit breakers.

Secure the outlet box directly to the building structure. Use appropriate fasteners and building materials. The outlet box and its support must be able to fully support the moving weight of the fan (at least 35 lbs). Do not use plastic outlet boxes.

WARNING

TO REDUCE THE RISK OF FIRE, ELECTRIC SHOCK, OR OTHER PERSONAL INJURY, MOUNT FAN ONLY TO AN OUTLET BOX MARKED ACCEPTABLE FOR FAN SUPPORT AND USE THE MOUNTING SCREWS PROVIDED WITH THE OUTLET BOX. OUTLET BOXES COMMONLY USED FOR THE SUPPORT OF LIGHTING FIXTURES MAY NOT BE ACCEPTABLE FOR FAN SUPPORT AND MAY NEED TO BE REPLACED. CONSULT A QUALIFIED ELECTRICIAN IF IN DOUBT.

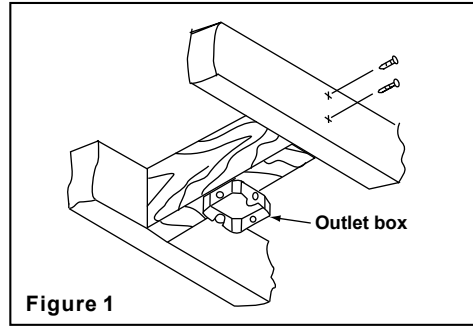


Figure 1

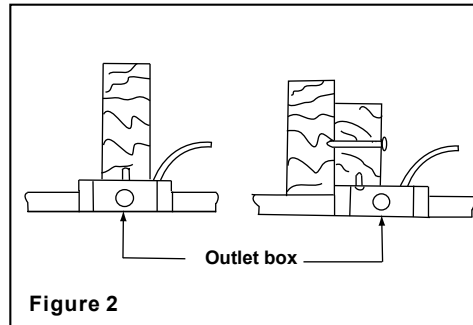
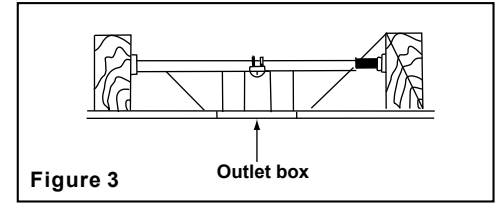


Figure 2



To hang your fan where there is an existing fixture but no ceiling joist, you may need an installation hanger bar as shown in Figure 3 (available at your Progress Lighting Retailer).

3. Installing Your Fan

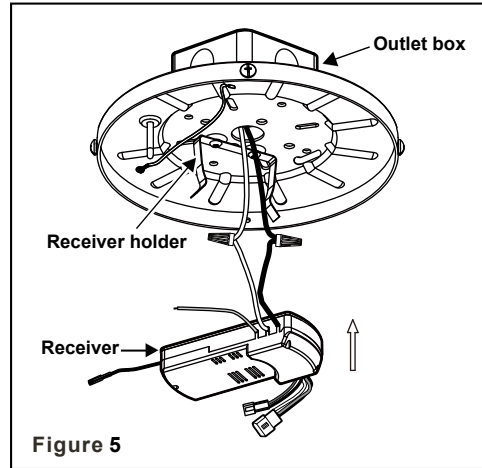
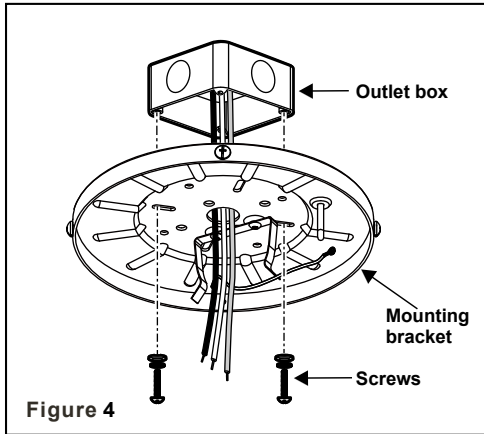
Hanging the Fan

REMEMBER to turn off the power. Follow the steps below to hang your fan properly.

Step 1. Attach the mounting bracket to the outlet box with two screws and washers provided with the outlet box. Make sure the bracket is tight and secured. (Fig. 4)

Step 2. Connect the receiver black and white wires to the supply black and white wires using the plastic wire nuts. (Fig. 5)

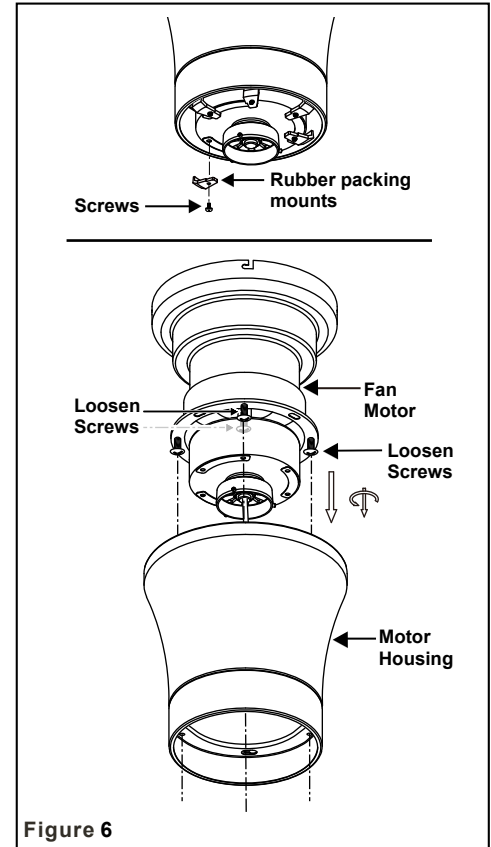
Step 3. Install the receiver to the mounting bracket by snap in the receiver to receiver holder. (Fig. 5)



Removing the Motor Housing

Step 1. The fan motor assembly is shipped with rubber packing mounts to prevent movement during transportation. Remove the six rubber packing mounts screws from the fan motor assembly and discard. (Fig. 6)

Step 2. Loosen four screws to remove motor housing from fan motor. (Fig. 6)



Make the Electrical Connections

WARNING: To avoid possible electrical shock, be sure electricity is turned off at the main fuse box before wiring.

WARNING: Check to see that all connections are tight, including ground, and that no bare wire is visible at the wire nuts, except for the ground wire.

CAUTION: To reduce the risk of electric shock, this fan must be installed with an isolating wall control/switch.

NOTE: The fan must be installed at a maximum distance of 20 ft. from the remote control for proper signal transmission between the remote control and the fan's receiving unit.

If you feel you do not have enough electrical wiring knowledge or experience, have your fan installed by a licensed electrician.

Follow the steps below to connect the fan to your household wiring. Use the plastic wire nuts with your fan. Secure the plastic wire nuts with electrical tape. Make sure there are no loose strands or connections.

Step 1. Hang fan motor assembly to the hook from mounting bracket. (Fig. 7)

Step 2. Make wire connections from the fan to the receiver. (Fig. 8)

5.

From Fan 2-pin connector----- 2-pin connector
To Receiver 3-pin connector----- 3-pin connector

Step 3. Make wire connections from the fan and receiver to the outlet box as follows, using the wire nut. (Fig. 8)

From Fan & Receiver Green Wires* ----- Green or Bare Wire (Ground)

*There are two green grounding leads: from the mounting bracket, receiver.

Turn the wire nut connections upward, spreading them apart so the green (ground) and white wires will be on one side of the outlet box and the black wire will be on the other side. Carefully tuck wires into the outlet box space above the receiver or evenly around the sides of the mounting bracket.

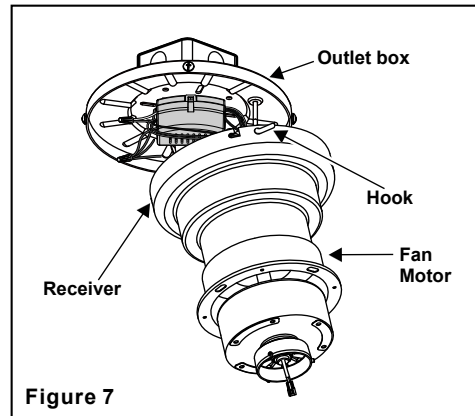


Figure 7

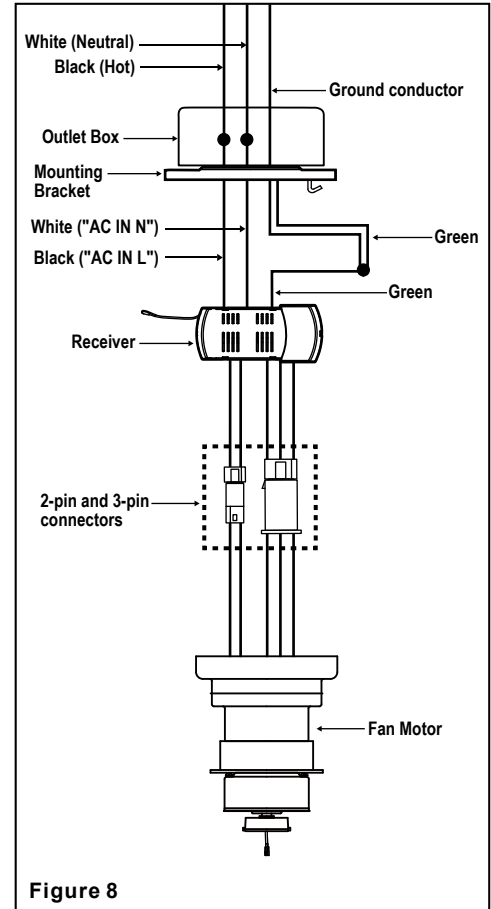


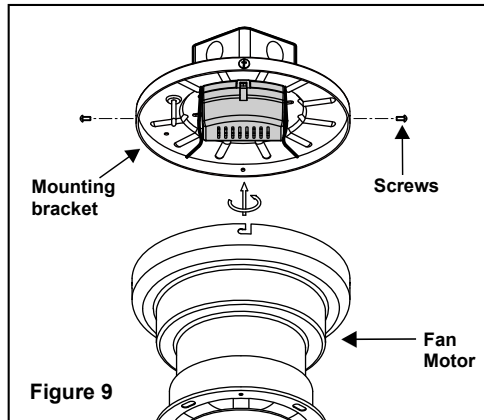
Figure 8

Finishing the Fan Installation

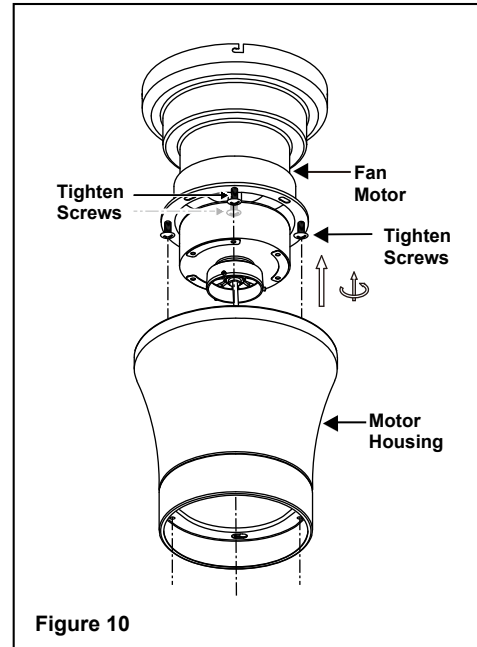
Step 1. Remove two of the four mounting plate self locking screw from mounting plate and loosen the other two (Do not remove).

Step 2. Remove the fan motor assembly from the mounting plate hook, and engage the key holes on the fan motor assembly with the two mounting plate screws with lock washers previously loosened.

Step 3. Install the two mounting plate screws with lock washers previously removed, and tighten all four mounting plate screws with lock washers. (Fig. 9)



Step 4. Secure motor housing to fan motor. Install motor housing to fan motor and align the slots with four loosen screws from previous step. Tighten all four screws to secure motor housing to fan motor (Fig. 10).

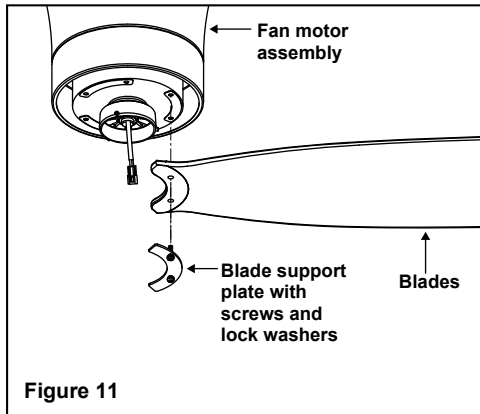


Attaching the Fan Blades

WARNING: To reduce the risk of personal injury, do not insert foreign objects between rotating fan blades.

Step 1. Align the holes from the blade to the holes from the fan motor assembly, and secure the blade in place with blade support plate with blade attachment screws and lock washers provided. (Fig. 11)

Step 2. Repeat this process to attach the other two blades.



Installing the LED Assembly

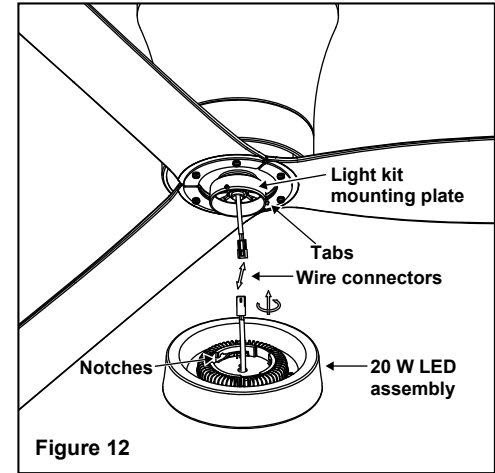
CAUTION: Before starting installation, disconnect the power by turning off the circuit breaker or removing the fuse at fuse box. Turning power off using the fan switch is not sufficient to prevent electric shock.

NOTE: If the light kit could be wobbled by hand, it means the light kit is not twisted completely until the right position. Keep twisting the light kit until it could not be wobbled by hand.

Step 1. While holding the 20W LED light kit under the fan motor assembly, snap together the wire connection plugs : (Fig. 12)

- White to white
- Black to black

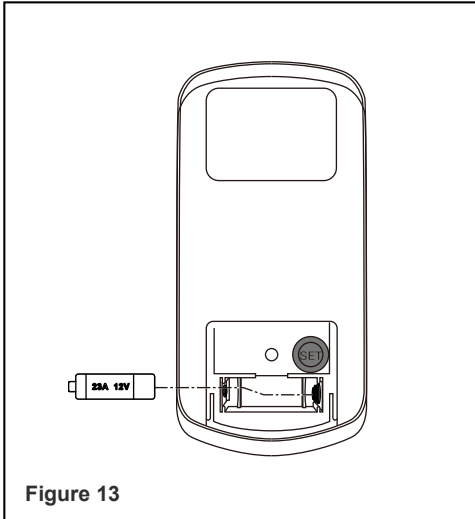
Step 2. Position the notches in the inner edge of the 20W light kit assembly so they line up with the tabs on the outer of the rim of the light kit mounting plate. Secure it to the fan by turning the 20W light kit assembly clockwise until snug.



7. Installing the Light Kit

Installing the battery

Install a 12V MN21/A23 battery (included) into the remote control. To prevent damage to the remote control, remove the battery if not used for long periods. (Fig. 13)



Remote Control Button Definitions: (Fig. 14)

These six buttons are used to set the fan speed as follows:

- I = minimum speed
- II = low speed
- III = medium low speed
- IV = medium speed
- V = medium high speed
- VI = high speed

■ button: Turns the fan off.

↻ button: Controls fan direction.

💡 button: This button is to control optional light on or off. Press and hold the button to activate the dimmer function.

Your DC brushless motor is equipped with an automatically learned type remote control. There are no frequency switches on the receiver; the receiver unit will automatically scan the frequency from the remote control if any changes are made. The frequency settings on the transmitter should be changed **ONLY in case of interference or if a second or more ceiling fans with the same type of control system are installed in the same structure.**

Setting the Remote Control

Follow the below steps to set the remote control: The auto learning function will only mandate within 60 seconds when turning the fan's AC power ON.

From the back of the transmitter, with the fan's power off, restore power to the fan. Press and hold "SET" button for about 5 seconds and release. If optional light kit is installed, the light kit will flash twice and the signal light on the hand held transmitter will come on when the button is pressed. The fan has completed the pairing process with the remote control and is ready for use. (Fig. 15)

NOTE: If the self calibration test failed, turn the AC power off; restore power and process the self calibration test again.

NOTE: During self calibration test, the remote is non-functional.

NOTE: The learning frequency function and self calibration test will continue to retain the last set frequency and calibration set even when the AC power is shut off. If the frequency is changed the self calibration test will occur again.

Over 80W protection: When the receiver detects motor power consumption which is greater than 80W, the receiver power will be stopped and operation will immediately discontinue. Wait for 5 seconds and then turn the receiver power back on.

Operating Your Transmitter 8.

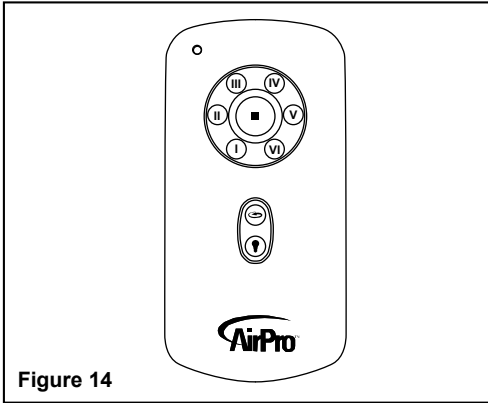


Figure 14

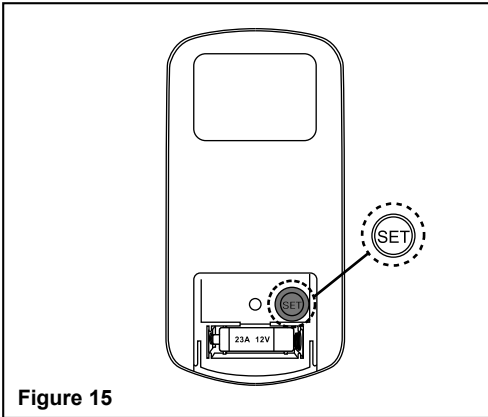


Figure 15

Speed settings for warm or cool weather depend on factors such as the room size, ceiling height, number of fans and so on.

NOTE: To operate the reverse function on this fan, press the reverse button while the fan is running.

Warm weather - (Forward) A downward airflow creates a cooling effect as shown in Fig. 16. This allows you to set your air conditioner on a warmer setting without affecting your comfort.

Cool weather - (Reverse) An upward airflow moves warm air off the ceiling area as shown in Fig. 17. This allows you to set your heating unit on a cooler setting without affecting your comfort.

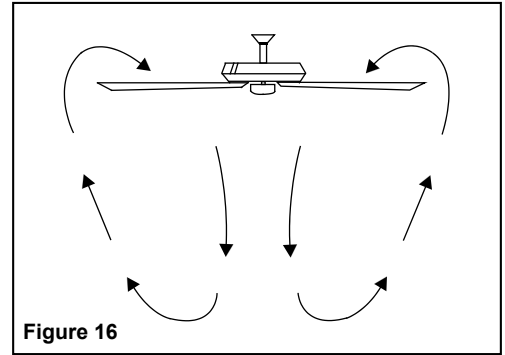


Figure 16

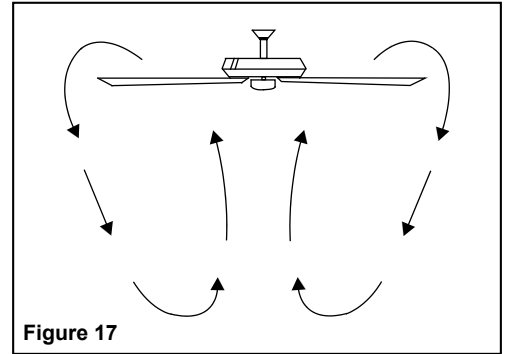


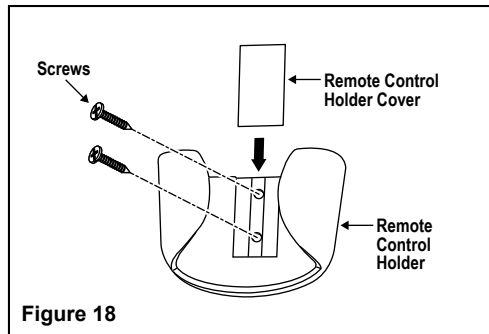
Figure 17

Installing the Remote Control Holder

Step 1. Remove the remote control holder cover from the remote control holder.

Step 2. Attach the remote control holder with the two remote control holder mounting screw provided. (Fig. 18)

Step 3. Replace the remote control holder cover into remote control holder.



Here are some suggestions to help you maintain your fan

1. Because of the fan's natural movement, some connections may become loose. **Check the support connections, brackets, and blade attachments twice a year.** Make sure they are secure. **(It is not necessary to remove fan from ceiling.)**

2. Clean your fan periodically to help maintain its new appearance over the years. Use only a soft brush or lint-free cloth to avoid scratching the finish. The plating is sealed with a lacquer to minimize discoloration or tarnishing. Do not use water when cleaning. This could damage the motor or possibly cause an electrical shock.

3. **There is no need to oil your fan.** The motor has permanently lubricated bearings.

IMPORTANT
MAKE SURE THE POWER IS OFF AT THE ELECTRICAL PANEL BOX BEFORE YOU ATTEMPT ANY REPAIRS. REFER TO THE SECTION "MAKING ELECTRICAL CONNECTIONS"

Care of Your Fan 10.

Problem

Solution

Fan will not start.

1. Check circuit fuses or breakers.
2. Check line wire connections to the fan and switch wire connections in the switch housing.
CAUTION: Make sure main power is off.

Fan sounds noisy.

1. Make sure all motor housing screws are snug.
2. Make sure the screws that attach the fan blade bracket to the motor hub is tight.
3. Make sure wire nut connections are not rubbing against each other or the interior wall of the switch housing.
CAUTION: Make sure main power is off.
4. Allow a 24-hour "breaking-in" period. Most noise associated with a new fan disappear during this time.
5. If using an optional light kit, make sure the screws securing the glassware are tight. Check that light bulb is also secure.
6. Make sure the upper canopy is a short distance from the ceiling. It should not touch the ceiling.

Fan has lost its programming repeatedly.

1. Turn the AC power off to fan, and re-do steps for programming on page 7.
2. Do not turn off fan from standard wall switch. Use only our wall switch or your remote to regulate fan.

11. Troubleshooting

Fan Size	Speed	Volts	Amps	Watts	RPM	CFM	N.W.	G.W.	C.F.
52"	Low	120	0.04	2.3	49	1863.5	14.08 lbs	16.94 lbs	2.04'
	High	120	0.43	32.9	146	5671.7			

These are approximate measures. They do not include Amps and Wattage used by the light kit.

This device complies with part 15 of the FCC Rules. Operation is subject to the following two conditions: (1) This device may not cause harmful interference, and (2) this device must accept any interference received, including interference that may cause undesired operation.

WARNING: Changes or modifications to this unit not expressly approved by the party responsible for compliance could void the user's authority to operate the equipment.

NOTE: This equipment has been tested and found to comply with the limits for a Class B digital device, pursuant to Part 15 of the FCC Rules. These limits are designed to provide reasonable protection against harmful interference in a residential installation. This equipment generates, uses and can radiate radio frequency energy and, if not installed and used in accordance with the instructions, may cause harmful interference to radio communications.

However, there is no guarantee that interference will not occur in a particular installation. If this equipment does cause harmful interference to radio or television reception, which can be determined by turning the equipment off and on, the user is encouraged to try to correct the interference by one or more of the following measures:

- Reorient or relocate the receiving antenna.
- Increase the separation between the equipment and receiver.
- Connect the equipment into an outlet on a circuit different from that to which the receiver is connected.
- Consult the dealer or an experienced radio/TV technician for help.

©2024 Progress Lighting, Inc.
701 Millennium Blvd.,
Greenville, SC 29607
All Rights Reserved

Specifications 12.

Manual de Instalación del Ventilador de Techo



Garantía limitada de por vida

Se garantiza al comprador original que los motores de los ventiladores de Progress Lighting no presentan defectos mecánicos o eléctricos por el tiempo durante el cual el comprador original sea dueño del ventilador. Los interruptores de cadena, interruptores de reversa, capacitores y acabados de metal cuentan con garantía libre de defectos de materiales o mano de obra por 1 año a partir de la fecha de compra. La deformación de las aspas de plástico o madera no está cubierta por esta garantía, así como tampoco la corrosión y/o el deterioro de los acabados en el caso de los ventiladores instalados dentro de un radio de 10 millas (16 km) de la costa del mar. Pueden corresponder garantías extendidas para los productos que cumplen con los requisitos de ENERGY STAR®.

Los ventiladores de techo Progress Lighting con fuentes de iluminación LED incorporadas, cuando se los instala debidamente y bajo condiciones de uso normales, están garantizados como libres de defectos de materiales y mano de obra que hacen que las fuentes de iluminación dejen de funcionar de acuerdo con las especificaciones durante (i) cinco (5) años a partir de la fecha de compra para los módulos de luces LED y los componentes eléctricos para los ventiladores utilizados en residencias unifamiliares, y (ii) tres (3) años a partir de la fecha de compra para los módulos de luces LED y los componentes eléctricos para los ventiladores utilizados en aplicaciones comerciales o multifamiliares. Los focos LED suministrados por Progress Lighting no cuentan con garantía más allá de la garantía del fabricante. Los focos que no son LED no cuentan con garantía.

Con comprobante de compra, el comprador original podrá devolver el ventilador defectuoso al lugar de compra, durante los primeros 30 días, para su reemplazo. Pasados los 30 días, el comprador original DEBE contactarse con Progress Lighting al (864) 678-1000 para la reparación o el reemplazo, que se determinará a criterio exclusivo de Progress Lighting y será la compensación única y exclusiva del comprador.

Se excluye la mano de obra y el envío. Esta garantía no cubre los costos o cargos asociados con la mano de obra (incluidos, entre otros, los honorarios del electricista) necesaria para instalar, quitar o reemplazar el ventilador o cualquiera de sus partes.

Esta garantía no se aplicará a ninguna pérdida o daño que resulte del (i) uso y desgaste normales o de una alteración, uso indebido o descuido, o de la (ii) instalación, operación, reparación o mantenimiento inadecuados por parte del comprador original o de un tercero, incluidos, entre otros, suministro de voltaje inadecuado o sobrecarga eléctrica, uso de piezas o accesorios inadecuados, reparación no autorizada (realizada o que se intentó realizar) o falta de mantenimiento al ventilador.

LAS GARANTÍAS PRECEDENTES ESTABLECEN LA OBLIGACIÓN DE GARANTÍA COMPLETA DE PROGRESS LIGHTING Y LA COMPENSACIÓN ÚNICA Y EXCLUSIVA DEL COMPRADOR ORIGINAL EN RELACIÓN CON DICHOS PRODUCTOS. PROGRESS LIGHTING NO ASUME RESPONSABILIDAD POR DAÑOS (INCLUIDOS INDIRECTOS, ESPECIALES, INCIDENTALES O EMERGENTES), DEBIDO A FALLAS DEL PRODUCTO, YA SEA QUE SURJAN DEL INCUMPLIMIENTO DE LA GARANTÍA, DEL INCUMPLIMIENTO CONTRACTUAL O DE OTRO MODO. ESTA GARANTÍA REEMPLAZA CUALQUIER OTRA GARANTÍA, YA SEA EXPRESA O IMPLÍCITA, INCLUSO AQUELLAS DE COMERCIABILIDAD, IDONEIDAD PARA UN FIN EN PARTICULAR O NO INCUMPLIMIENTO.

Algunos estados no permiten limitaciones sobre la duración de una garantía implícita o la exclusión de limitaciones de daños incidentales o emergentes, de modo que las limitaciones y exclusiones anteriores tal vez no se apliquen a su caso. La presente garantía le otorga derechos específicos y es posible que usted tenga otros derechos que varían según el estado.

Fecha de compra _____

Lugar de compra _____

N de modelo. P250121

N de serie _____

Numero de vendedor 109226

785247258840

785247258864

UPC 785247258857



Normas de seguridad	1.
Cómo desembalar el ventilador	2.
Cómo instalar el ventilador	3.
Instalación del kit de luces	7.
Operando su transmisor	8.
Cómo cuidar del ventilador	10.
Resolución de problemas	11.
Especificaciones	12.

Tabla de Contenido

1. Para reducir el riesgo de electrocución, asegurarse de que la electricidad se ha desactivado en el cortacircuitos o caja de fusibles antes de comenzar.
2. Todo cableado debe realizarse conforme al Código Electrico Nacional y los códigos electricos locales. La instalación eléctrica debe ser relajada por un electricista registrado calificado.
3. **ADVERTENCIA:** Para reducir el riesgo de una electrocución e incendio, no usar este ventilador con ningun dispositivo de control de la velocidad del ventilador.
4. **ADVERTENCIA:** Para reducir el riesgo de incendio, descarga eléctrica o lesión personal, monte a una caja distribución marcada como "Aceptable para soporte de un ventilador de 15.9kg (35 lbs.) de peso o menos" y monte con los tornillos proporcionados con la caja de distribución. La mayoría de las cajas de conexión utilizadas para soportar artefactos de iluminación, no son aptas para colgar un ventilador y podría ser necesario cambiarlas. Debido a la complejidad de la instalación de este ventilador, se recomienda encarecidamente que la realice un electricista licenciado cualificado.
9. Para evitar lesiones personales o daños al ventilador y otros artículos, tener cuidado al trabajar cerca del ventilador o al limpiarlo.
10. No usar agua o detergentes al limpiar el ventilador o las aspas del ventilador. Para la mayoría de los propósitos de limpieza, un paño seco o ligeramente humedecido será apropiado.
11. Después de realizar las conexiones eléctricas, los conductores empalmados se deben voltear hacia arriba y se deben empujar con cuidado hacia dentro de la caja de distribución. Los cables deben estar separados, con el conductor a tierra y el conductor a tierra del equipo en un lado de la caja de distribución.
12. Los diagramas eléctricos son para referencia únicamente. Los juegos de iluminación que no estén embalados con el ventilador deben estar Listados por U.L. y marcados como apropiados para ser usados con el modelo de ventilador que se está instalando. Los interruptores deberán ser Interruptores para uso general U.L. Réferase a las instrucciones embaladas con los juegos de iluminación e interruptores para obtener información sobre el montaje adecuado.

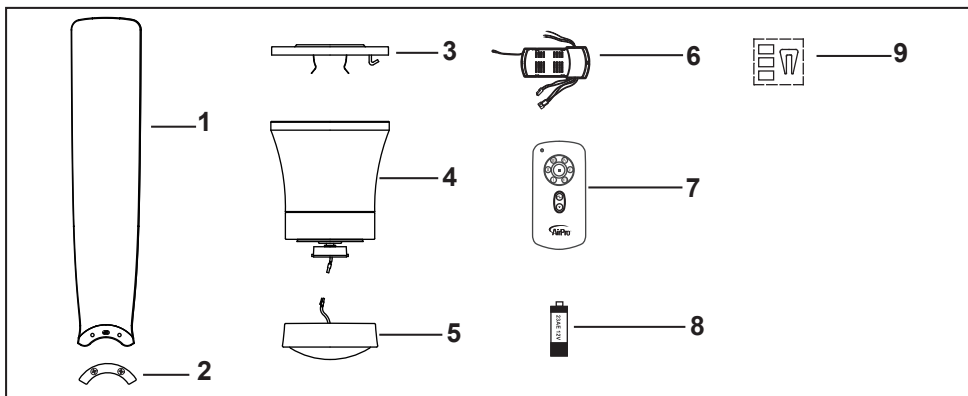
ADVERTENCIA
PARA REDUCIR EL RIESGO DE INCENDIO ELECTROCUCIÓN O LESIONES PERSONALES. MONTAR EL VENTILADOR EN UNA CAJA DE DISTRIBUCIÓN MARCADA COMO ACEPTABLE PARA SOPORTE DE VENTILADORES.

5. La caja de distribución y la estructura de soporte deben estar montados de manera segura y deben ser capaces de soportar, de manera confiable, un mínimo de 35 libras (15,9 kilogramos). Usar solamente cajas de distribución listadas por UL, marcadas "PARA SOPORTE DE VENTILADORES".
6. EL ventilador debe estar montado con un mínimo de 7 pies (2.1m) de espacio libre desde el borde posterior de las aspas hasta el piso.
7. Invierta el ventilador con el motor encendido a cualquier velocidad.
8. Evitar colocar objetos que interfiera el giro de las aspas.

ADVERTENCIA
PARA REDUCIR EL RIESGO DE LESIONES PERSONALES, NO DOBLAR LOS SOPORTES DE LAS ASPAS (TAMBIÉN LLAMADOS "REBORDES") DURANTE EL MONTAJE O DESPUÉS DE LA INSTALACIÓN NO INSERTAR OBJETOS EN LA TRAYECTORIA DE LAS ASPAS.

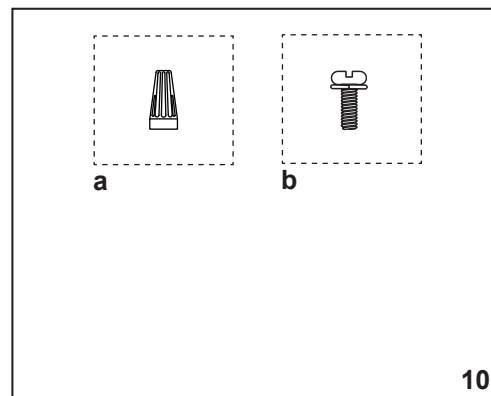
NOTA
¡LEER Y GUARDAR TODAS LAS INSTRUCCIONES!

1. Normas de seguridad



Desembalar el ventilador y revisar el contenido. Debe tener los siguientes elementos:

- | | |
|--|-------------------------|
| 1. Juego de aspas (3) | 8. 12V MN21/A23 batería |
| 2. Placa de soporte para las aspa con tornillo y arandela de seguridad (3) | 9. Juego de balanceo |
| 3. Abrazadera de montaje | |
| 4. Ensamblaje del motor del ventilador | |
| 5. Kit de luces LED de 20 vatios | |
| 6. Receptor | |
| 7. Transmetteur incl. soporte + 2 tornillos de montaje | |



10. Dos bolsas de piezas pequeñas:

- a. Piezas demontaje**
3 conectores plásticos para cables eléctricos
- b. Piezas de fijación de las aspas**
1 tornillo de 1/4" x 17mm con arandela de seguridad (adicional)

Cómo desembalar el ventilador 2.

Herramienta Necesarias

Destornillador Phillips, destornillador normal, llave de tuercas ajustable, escalera de tijera, y cortadoras de alambre.

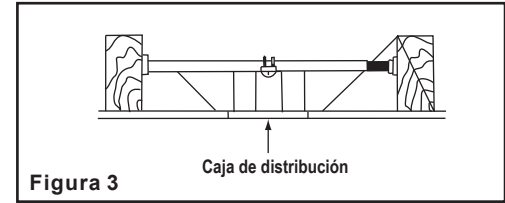
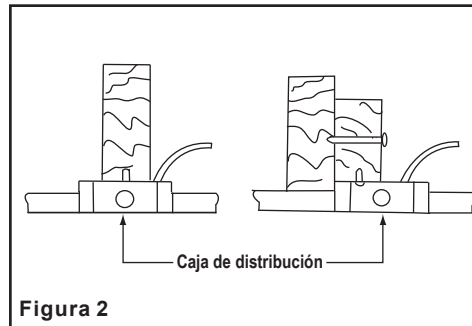
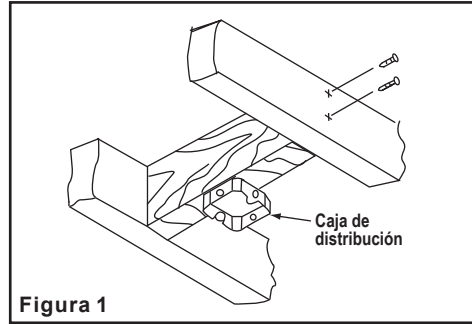
Opciones de Instalación

Si no hay una caja con UL registración de montaje existente, sirvase leer las siguientes instrucciones. Desconectar el suministro de electricidad removiendo los fusibles o desactivando los cortacircuitos.

Asegurar la caja de distribución directamente a la estructura del edificio. Usar los sujetadores y materiales de construcción apropiados. La caja de distribución y su soporte deben ser capaces de soportar completamente el peso en movimiento del ventilador (al menos 35 libras o 15.9 kgs.) No usar cajas de distribución plásticas.

ADVERTENCIA

PARA REDUCIR EL RIESGO DE INCENDIO, ELECTROCUCIÓN O DAÑO PERSONAL, INSTALAR EL VENTILADOR A UNA CAJA DE DISTRIBUCION MARCADA "ACEPTADA PARA SOPORTAR VENTILADOR" Y USAR LOS TORNILLOS DE MONTAJE SUMINISTRADOS CON LA CAJA DE DISTRIBUCION.



Para colgar su ventilador donde ya existe una instalación pero no una viga de techo, es posible que se necesite una instalación de barra de suspensión como se muestra la Figura 3 (disponible en su distribuidor Progress Lighting).

3. Cómo instalar el ventilador

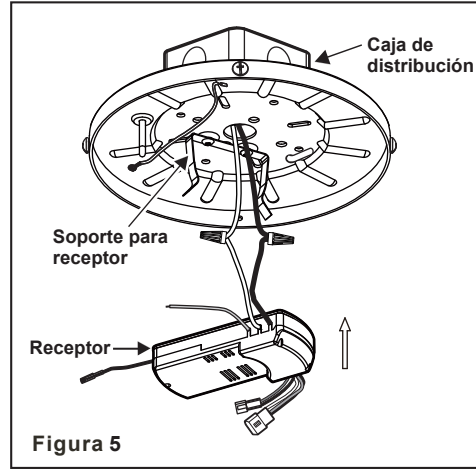
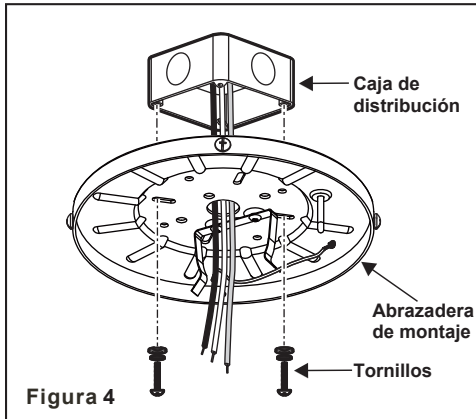
Colocación del ventilador

RECUERDE desconectar la alimentación. Siga estos pasos para colocar correctamente el ventilador:

Paso 1. Fije el soporte de montaje a la caja eléctrica con dos tornillos y arandelas suministrados con la caja eléctrica. Asegúrese de que el soporte esté apretado y asegurado. (Fig. 4)

Paso 2. Conecte los cables blanco y negro del receptor a los cables blanco y negro de suministro utilizando las tuercas para cables de plástico. (Fig. 5)

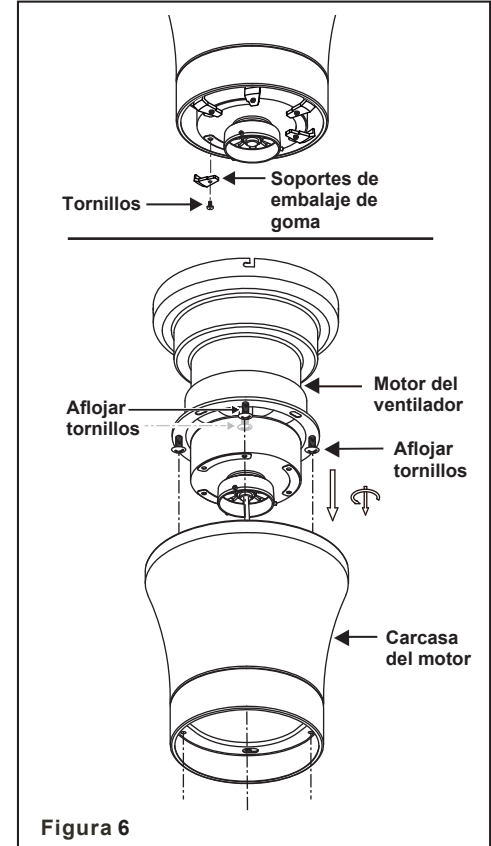
Paso 3. Instale el receptor en el soporte de montaje encajando el receptor en el soporte del receptor. (Fig. 5)



Quitar la carcasa del motor

Paso 1. El conjunto del motor del ventilador se envía con soportes de empaquetadura de goma para evitar el movimiento durante el transporte. Retire las seis gomas. Tornillos de montaje del empaque del conjunto del motor del ventilador y deséchelos. (Fig. 6)

Paso 2. Afloje cuatro tornillos para quitar la carcasa del motor del motor del ventilador. (Fig. 6)



Realizar las Conexiones Eléctricas

ADVERTENCIA: Para evitar la posibilidad de un choque eléctrico, asegúrese de apagar la corriente eléctrica desde el circuito central.

ADVERTENCIA: Verifica que todas las conexiones estén bien ajustadas, incluida la conexión a tierra, y que no haya ningún cable pelado visible en las tuercas para cable (excepto el de tierra).

PRECAUCIÓN: Para reducir el riesgo de incendio o descarga eléctrica, este ventilador debe instalarse con un control/interruptor de pared de aislamiento.

NOTA: El ventilador debe instalarse a una distancia máxima de 6,1 m de la unidad transmisora para obtener una señal de transmisión apropiada entre la unidad transmisora y la unidad receptora del ventilador.

Si crees que no tienes suficiente experiencia o conocimientos en cableado eléctrico, contrata a un electricista con licencia para que instale el ventilador.

Sigue estos pasos para conectar tu ventilador a tu circuito doméstico. Usa las tuercas de plástico para cable con tu ventilador. Asegura las tuercas de cables con cinta de electricista. Asegúrate de que no haya conexiones o cables sueltos.

Paso 1. Cuelgue el conjunto del motor del ventilador en el gancho del soporte de montaje. (Fig. 7)

Paso 2. Haga las conexiones de cables desde el ventilador al receptor. (Fig. 8)

5.

Del ventilador

Conector de 2-pine
Conector de 3-pine

Al receptor

Conector de 2-pine
Conector de 3-pine

Paso 3. Haga las conexiones de los cables desde el ventilador y el receptor a la caja eléctrica de la siguiente manera, usando la tuerca para cables. (Fig. 8)

Del ventilador y receptor

Cables verdes*

A la caja de distribución

Cable verde o desnudo (tierra)

*Hay dos cables de conexión a tierra verdes: desde el soporte de montaje, de suspensión y el receptor.

Gire las conexiones de tuerca para cables hacia arriba, separándolas de modo que los cables verde (tierra) y blanco queden en un lado de la caja eléctrica y el cable negro en el otro lado. Introduzca con cuidado los cables en el espacio de la caja eléctrica encima del receptor, o uniformemente alrededor de los lados del soporte de montaje.

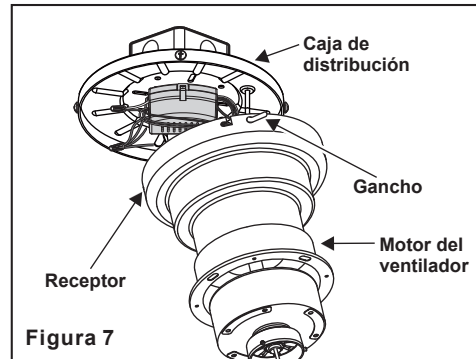


Figura 7

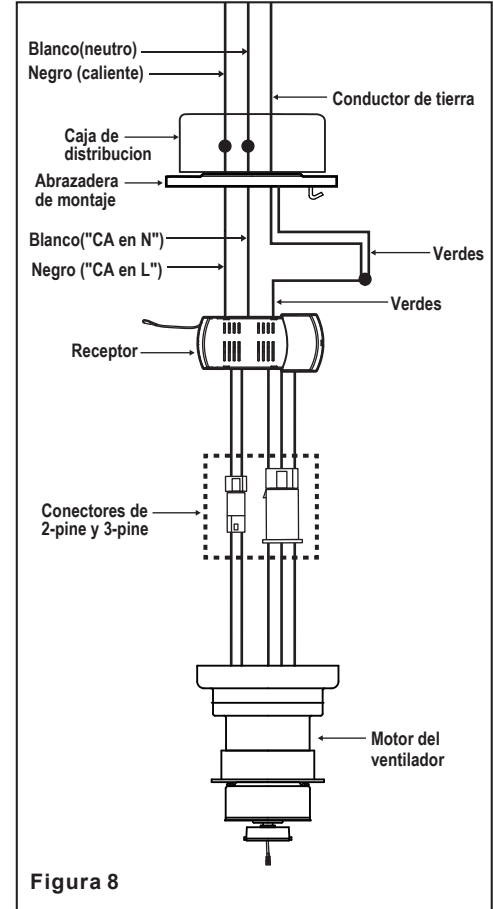


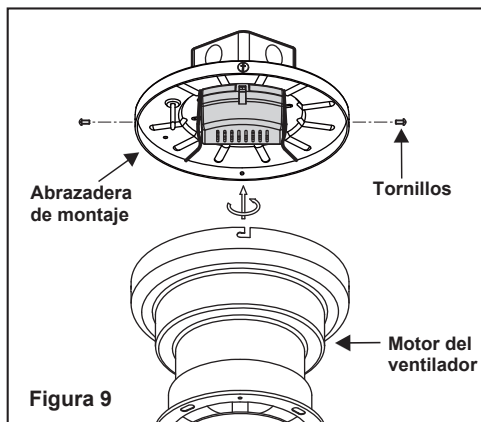
Figura 8

Terminando la Instalación

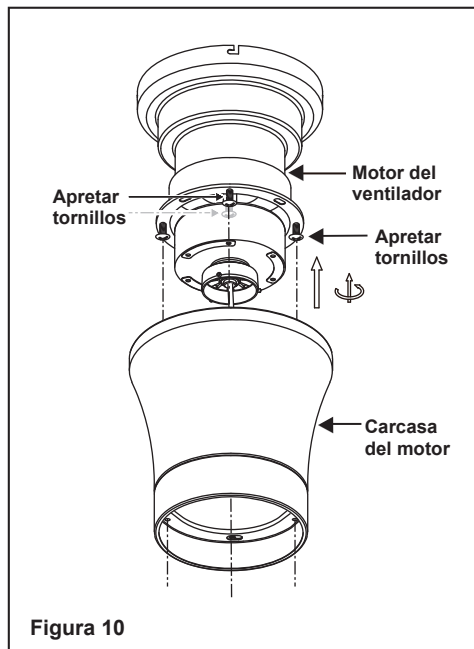
Paso 1. Retire dos de los cuatro tornillos autoblocantes de la placa de montaje y afloje los otros dos (No los retire).

Paso 2. Retire el conjunto del motor del ventilador del gancho de la placa de montaje y enganche los orificios tipo llave del conjunto del motor del ventilador con los dos tornillos de la placa de montaje con las arandelas de seguridad previamente aflojadas.

Paso 3. Instale los dos tornillos de la placa de montaje con las arandelas de seguridad que quitó anteriormente y apriete los cuatro tornillos de la placa de montaje con las arandelas de seguridad. (Fig. 9)



Paso 4. Asegure la carcasa del motor al motor del ventilador. Instale la carcasa del motor en el motor del ventilador y alinee las ranuras con los cuatro tornillos aflojados del paso anterior. Apriete los cuatro tornillos para asegurar la carcasa del motor al motor del ventilador (Fig. 10).

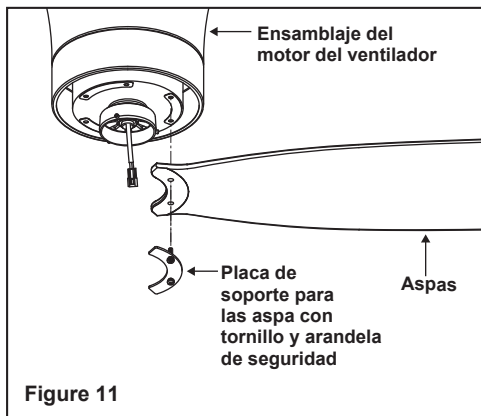


Instalación de las Aspas

ADVERTENCIA: Para reducir el riesgo de lesiones personales, no insertes objetos extraños entre las aspas en funcionamiento.

Paso 1. Alinee los agujeros de la aspa en los orificios del ensamblaje del motor, y asegure la aspa en su lugar con la placa de soporte para la aspa y tornillos de fijación de la aspa y arandelas de seguridad proveídos. (Fig. 11)

Paso 2. Repita este proceso para unir las otras dos aspas.



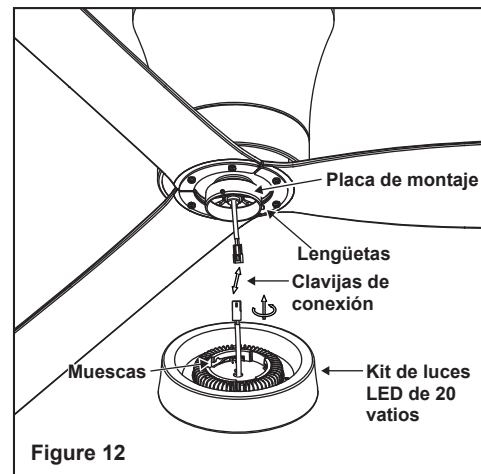
Instalación del conjunto de LED

PRECAUCIÓN: Antes de comenzar la instalación, desconecte la alimentación colocando el interruptor de circuito en la posición de apagado o retirando el fusible de la caja de fusibles. No basta con colocar el interruptor del ventilador en la posición de apagado para evitar descargas eléctricas.

NOTA: Si el kit de luces se puede mover con la mano, significa que no está completamente girado hasta la posición correcta. Continúe girando el kit de luces hasta que no pueda tambalearse con la mano.

Paso 1. Mientras sostiene el kit de luces LED de 20 W debajo del ensamblaje del motor del ventilador, enganche los enchufes de la conexión de los cables: el blanco con el blanco, el negro con el negro. (Fig. 12)

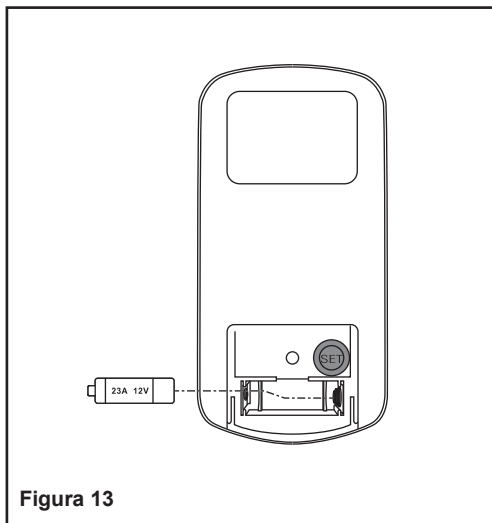
Paso 2. Coloque las muescas en el borde interior del kit de luces LED de 20 W de modo que coincidan con las lengüetas en el exterior del borde de la placa de montaje del kit de luces. Levante con cuidado el kit de luces LED de 20 W dentro de la placa de montaje del kit de luces y gírelo en dirección de las manecillas del reloj para asegurarlo y que quede ajustado.



7. Instalación del kit de luces

Instalación de la Batería

Instala una batería MN21/A23 de 12V (incluida) en el control remoto. Para prevenir daños al control remoto, sacala batería si no va a usarse por largo tiempo. (Fig. 13)



Definición de botón del control remoto: (Fig. 14)

Estos seis botones se utilizan para ajustar la velocidad del ventilador:

- I = velocidad mínima
- II = velocidad baja
- III = velocidad media baja
- IV = velocidad media
- V = velocidad media alta
- VI = velocidad alta

■ botón: Este botón apaga el ventilador.

⊖ botón: Este botón controla la dirección del ventilador.

💡 botón: Este botón sirve para controlar el encendido o apagado de la luz opcional. Mantenga presionado el botón para activar la función de atenuación.

control remoto de tipo aprendido automáticamente. No hay interruptores de frecuencia en el receptor; la unidad receptora escaneará automáticamente la frecuencia del control remoto si se realizan cambios. La configuración de frecuencia en el transmisor debe cambiarse **SÓLO en caso de interferencia o si se instalan un segundo o más ventiladores de techo con el mismo tipo de sistema de control en la misma estructura.**

Cómo configurar el control remoto

Sigue los pasos más abajo para configurar el control remoto: La función de aprendizaje automático sólo es dentro de los 60 segundos al encender la corriente eléctrica al ventilador.

Desde la parte posterior del transmisor, con la energía del ventilador apagada, restablezca la alimentación del ventilador. Mantenga presionado el botón "SET" durante aproximadamente 5 segundos y suéltelo. Si se instala un kit de luces opcional, el juego de luces parpadeará dos veces y la luz de señal en el transmisor de mano se encenderá cuando se presione el botón. El ventilador completó el proceso de emparejamiento con el control remoto y está listo para usar. (Fig. 15)

NOTA: Si la prueba de autocalibración falló, apagar la corriente eléctrica al ventilador; restaurar la alimentación y procesar otra vez la prueba de autocalibración.

NOTA: Durante la prueba de calibración automática, el control remoto no funcionará.

NOTA: La función de la frecuencia de aprendizaje y prueba de autocalibración se continuará a estar and la memoria del ventilador incluso cuando la corriente se apage al ventilador. Si la frecuencia es cambiada la prueba de autocalibración se producirá otra vez.

Protección contra más de 80W: Cuando el receptor detecta que el consumo de energía del motor es de más de 80W, la alimentación del receptor se detiene y deja de funcionar inmediatamente. Vuelva a encender el receptor tras 5 segundos.

Operando su transmisor 8.

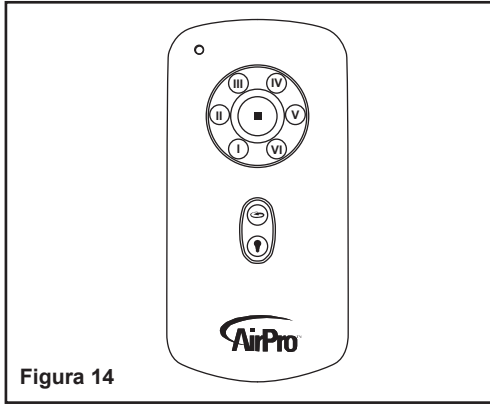


Figura 14

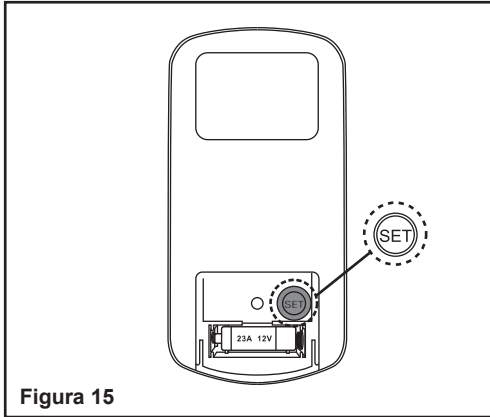


Figura 15

Los ajusters de velocidad para clima caliente o frío dependen de factores como el tamaño del cuarto, la altura del techo, cantidad de ventiladores, etc.

NOTA: Para activar el funcionamiento inverso de este ventilador, pulse el botón reverse (invertir) mientras está en marcha.

Clima cálido - (Hacia adelante) Un movimiento descendente de aire crea un efecto de enfriamiento como se muestra en la Figura 16. Esto permite fijar el aire acondicionado en un valor más alto sin afectar la comodidad del usuario.

Clima frío - (Retroceso) Un flujo de aire ascendente mueve el aire caliente alejándolo del área del techo como se muestra en la Figura 17. Esto permite fijar la unidad de calefacción en un valor más bajo sin afectar la comodidad usuario.

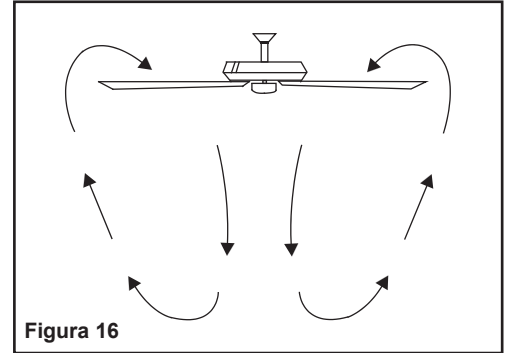


Figura 16

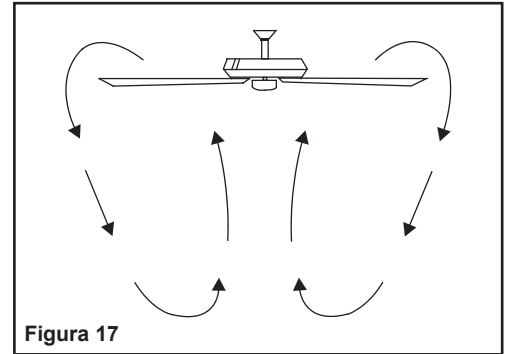


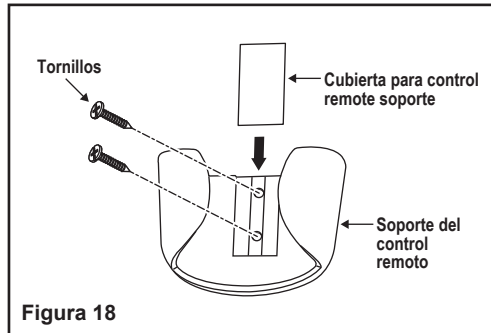
Figura 17

Cómo instalar el Soporte del Control Remoto

Paso 1. Retira la cubierta desde el soporte del control remoto.

Paso 2. Sujeta el soporte del control remoto con los dos tornillos de montaje del soporte del control remoto. (Fig. 18)

Paso 3. Vuelve a colocar la cubierta en el soporte del control remoto.



He aquí algunas sugerencias para ayudarle el mantenimiento del ventilador.

1. Debido al movimiento natural del ventilador, algunas conexiones se podrían aflojar. **Examinar las conexiones del soporte, soportes, y accesorios de las aspas dos veces al año.** Asegurarse de que estén seguros. **(No es necesario retirar el ventilador del techo.)**

2. Limpiar el ventilador periódicamente para ayudar a mantener su apariencia de nuevo con el transcurso del tiempo. Usar solamente un cepillo suave o paño sin hilas para evitar rayar el acabado. El recubrimiento metálico se sella con una laca para minimizar la decoloración o manchado. No usar agua al limpiarlo, madera, o posiblemente causar choque eléctrico.

3. **No hay necesidad de aceitar el ventilador.** El motor tiene cojinetes permanentemente lubricados.

ADVERTENCIA
ASEGURARSE DE QUE LA ELECTRICIDAD ESTÉ DESACTIVADA EN EL TABLERO DE DISTRIBUCIÓN ELÉCTRICA ANTES DE INTENTAR CUALQUIER REPARACIÓN REFERIRSE A LA SECCIÓN "CÓMO EFECTUAR CONEXIONES ELÉCTRICAS"

Cómo cuidar del ventilador 10.

Problema

Solución

El ventilador no arranca.

1. Revisar los fusibles o interruptores de circuitos.
2. Verificar las conexiones de cables de línea al ventilador y conexiones de cable del interruptor.
PRECAUCIÓN: Asegurarse de que la fuente principal de electricidad esté desactivada.

El ventilador hace mucho ruido.

1. Asegurarse de que todos los tornillos de la cubierta del motor estén ajustados.
2. Asegurarse de que los tornillos que sujetan el soporte de aspas del ventilador al eje del motor estén apretados.
3. Asegurarse de que las conexiones de tuercas para cable no estén rozando unas contra otras o contra la pared interior de la cubierta protectora del interruptor.
PRECAUCIÓN: Asegurarse de que la fuente principal de electricidad esté desactivada.
4. Permitir un período de "desgaste" de 24 horas. La mayoría de los ruidos asociados con un ventilador nuevo desaparecen durante este tiempo.
5. Si se está usando un juego opcional de iluminación para el ventilador de techo, asegurarse de que los tornillos que aseguran el vidrio estén apretados. Asimismo, verificar que la bombilla esté segura.
6. Asegurarse de que el escudete superior esté a una corta distancia del techo. No debe hacer contacto con el techo.

El ventilador de techo ha perdido su programación repetidamente.

1. Apague la alimentación de CA del ventilador y repita los pasos para la programación en la página 7.
2. No apague el ventilador del interruptor de pared estándar. Use solo nuestro interruptor de pared o su control remoto para regular el ventilador.

11. Resolución de problemas

Tamaño del Ventilador	Velocidad	Voltios	Amperios	Vatios	RPM	CFM	N.W.	G.W.	C.F.
52" (132 cm)	Baja	120	0.04	2.3	49	1863.5	14.08 lbs	16.94 lbs	2.04'
	Alta	120	0.43	32.9	146	5671.7			

Estas son mediciones aproximadas. No incluyen los Amperios y vatios usado por el juego de eliminación.

Este equipo cumple con lo establecido en la Parte 15 de la Normativa FCC. Su funcionamiento está sujeto a las dos condiciones siguientes: (1) Este equipo no causará interferencias perjudiciales y (2) este equipo tolerará cualquier interferencia recibida, incluidas las interferencias que puedan provocar un funcionamiento no deseado.

ADVERTENCIA: los cambios o modificaciones en esta unidad no aprobados expresamente por la parte responsable del cumplimiento podrían anular la autoridad del usuario para utilizar el equipo.

NOTA: este equipo ha sido probado y cumple con los límites establecidos para dispositivos digitales de clase B, según el apartado 15 de las Normas de la FCC. Dichos límites han sido definidos para proporcionar una protección razonable frente a interferencias perjudiciales en una instalación residencial. Este equipo genera, utiliza y puede desprender energía de radiofrecuencia y, si no se instala y se utiliza según las instrucciones, puede causar interferencias dañinas a la radiocomunicación.

Sin embargo, no es posible garantizar que el equipo no provoque interferencias en una instalación particular. Si este equipo provoca interferencias perjudiciales a la recepción de radio o televisión, lo que puede determinarse encendiéndolo y apagándolo, es recomendable intentar corregir dichas interferencias mediante una o varias de las siguientes medidas:

- Vuelva a orientar o cambie de lugar la antena receptora.
- Aumente la separación entre el equipo y el receptor.
- Conecte el equipo en una toma de corriente en un circuito diferente al que el receptor está conectado.
- Consulte con el distribuidor o con un técnico especialista en radio/televisión para más ayuda.

©2024 Progress Lighting, Inc.
701 Millennium Blvd.,
Greenville, SC 29607
All Rights Reserved

Especificaciones 12.