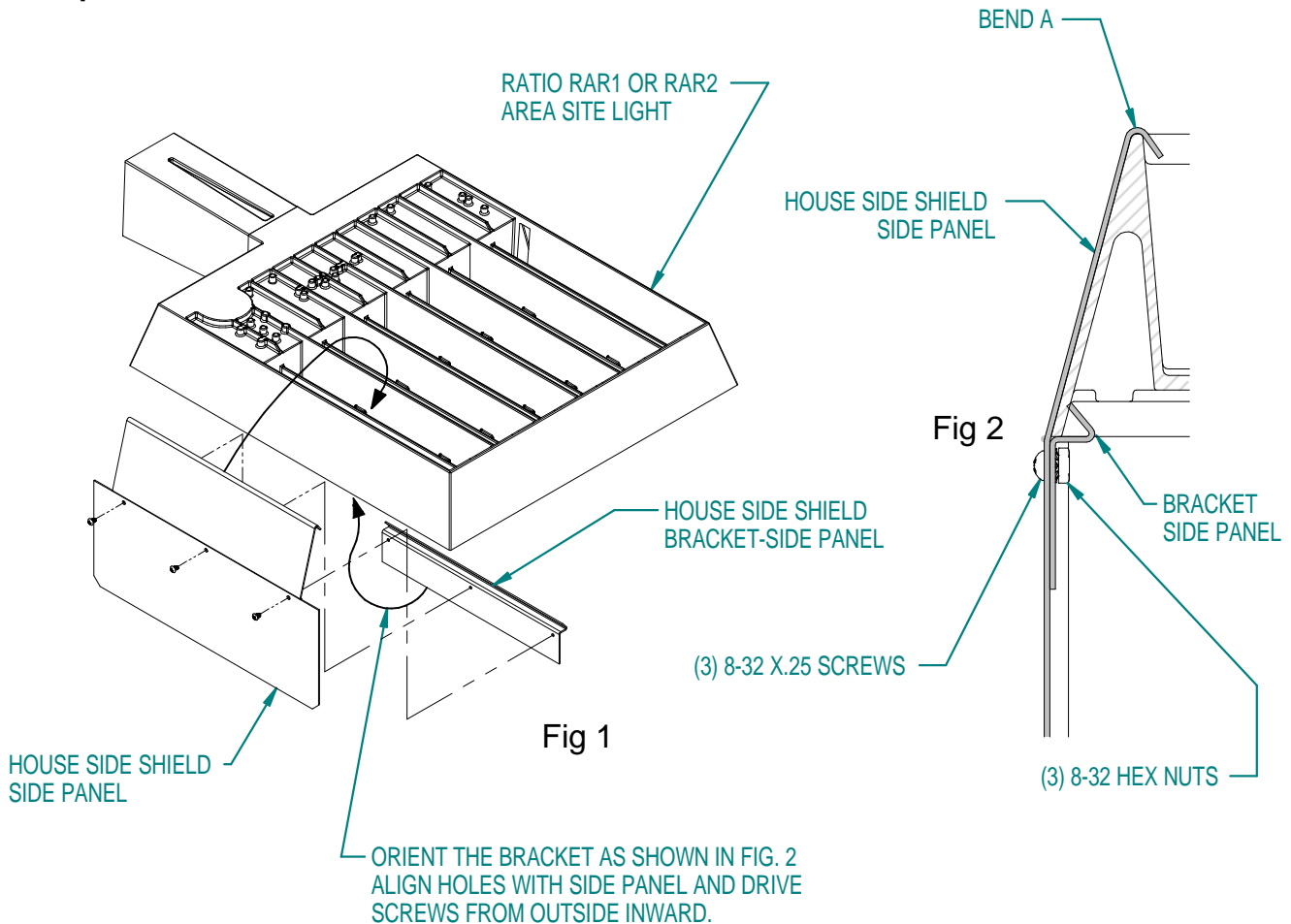


# RATIO HOUSE SIDE SHIELD

## RATIO ACCESSORY

Compatible with: RATIO AREA



### Mounting Notes:

*These instruction steps apply to the installation of the side panel or the front panel for either the RAR1 and RAR2 Area Site Fixtures.*

1. Position the House Side Shield Panel by hanging the bend A over the top lip of the fixture housing as shown in Fig 1 and 2.
2. Note the orientation of the Bracket in Fig 1 and 2. Position the Bracket as shown in Fig 2.
3. Fasten the Shield Panel to the Bracket with (3) 8-32x.250 screws driving them from the outside toward the inside. Tighten screws until they are fully seated (12 ft.-lbs. torque).
4. Inspect the installation to assure the House Side Shield Side Panel is correctly installed and tightly secured to the fixture Housing casting .

### Shipping Package Contents:

House Side Shield Front or Side Panel

**Material:** Aluminum

**Finish:** Powdercoat Paint

**Weight:** X lbs

1. House Side Shield Panel
2. Bracket- Shield Panel
3. Fasteners (3) Screws 8-32x.25

**Hubbell Lighting**  
701 Millennium Blvd.  
Greenville, SC 29607

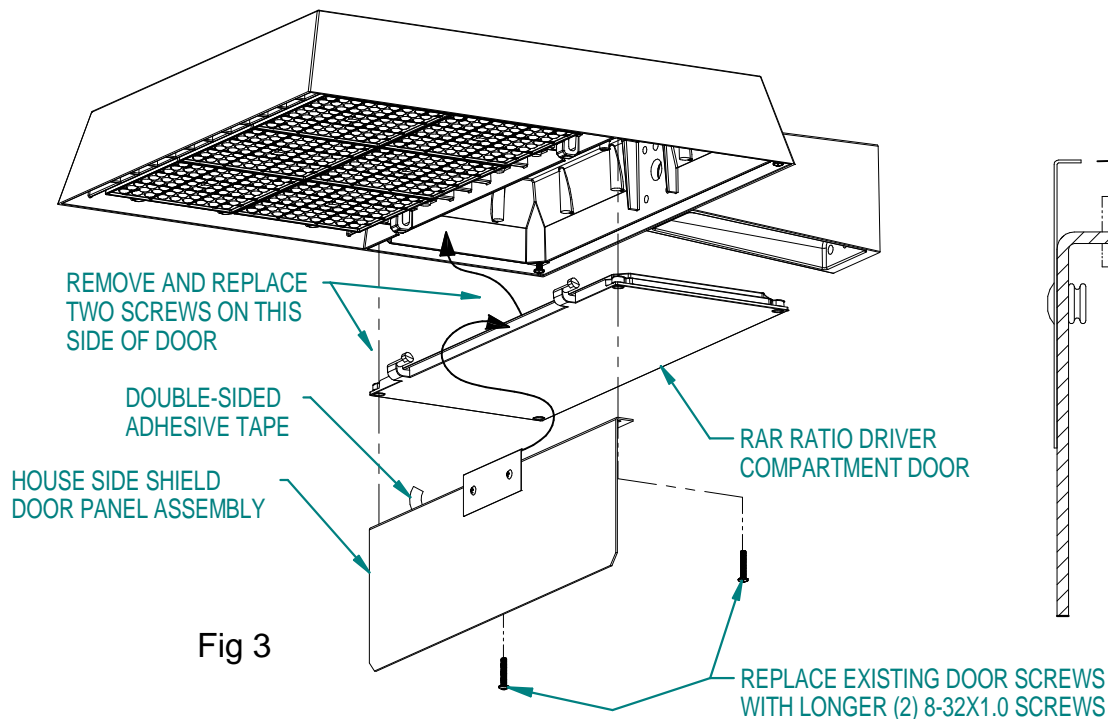
Technical Support: (864) 678-1000  
Fax: (864) 898-1065  
www.hubbell.com

Catalog Number: RA-HSS-ACC-XX  
Instruction Sheet: 93116333\_A

# RATIO HOUSE SIDE SHIELD

RATIO ACCESSORY

Compatible with: RATIO AREA



## Mounting Notes:

*These instruction steps apply to the installation of the door panel for either the RAR1 and RAR2 Area Site Fixtures*

1. Open the driver compartment door and remove the two screws on the Light Engine side of the door as shown in Fig 3.
2. Position the House Side Shield Door Panel by hanging the bend over the top lip of the fixture housing as shown in Fig 3 and 4, aligning the holes in the door and panel. Place the longer screws provided through the holes in the panel and door and slide the O-ring screw retainers over the threaded end of the screws.
3. The panel should be loosely attached to the door. Rotate the panel back revealing the double-stick VHB tape. Peel the cover off the adhesive tape and press the panel firmly against the door.
4. Replace or close the driver compartment door and tighten the four 8-32 screws.
5. Inspect the installation to assure the House Side Shield Side Panel is correctly installed and tightly secured to the fixture Housing casting.

## Shipping Package Contents:

House Side Shield Door Panel

**Material:** Aluminum

**Finish:** Powdercoat Paint

**Weight:** 1 lb.

1. House Side Shield Door Assy
2. Fasteners (2) Screws 8-32x.1.00
3. O-Ring screw retainers (2)

**Hubbell Lighting**  
701 Millennium Blvd.  
Greenville, SC 29607

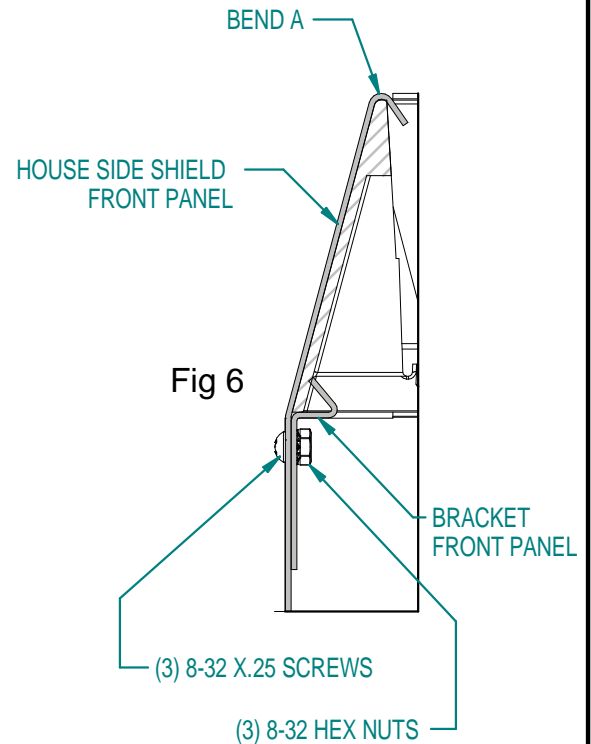
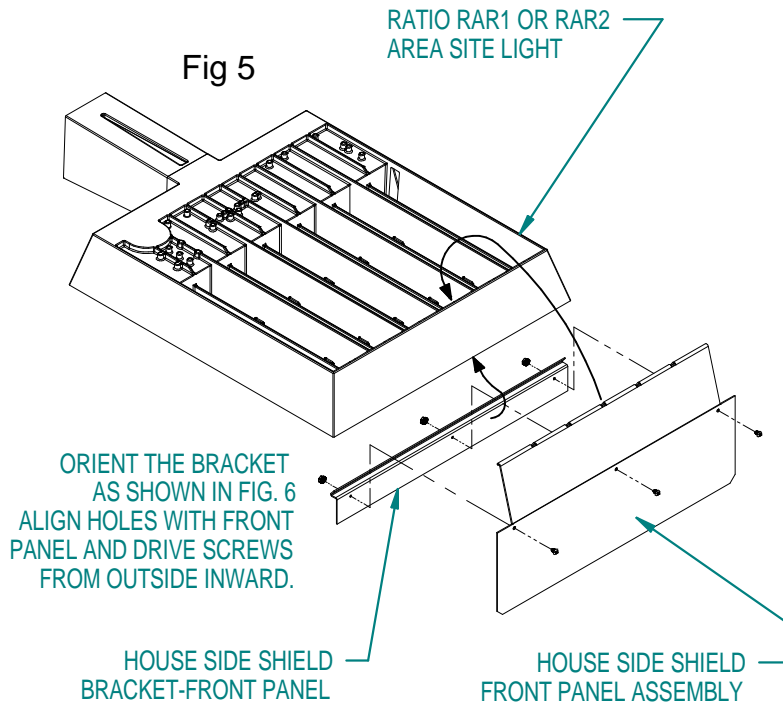
Technical Support: (864) 678-1000  
Fax: (864) 898-1065  
www.hubbell.com

Catalog Number: RA-HSS-ACC-XX  
Instruction Sheet: 93116333\_A

# RATIO HOUSE SIDE SHIELD

## RATIO ACCESSORY

Compatible with: RATIO AREA



### Mounting Notes:

**These instruction steps apply to the installation of the front panel for either the RAR1 and RAR2 Area Site Fixtures**

1. Position the House Side Shield Front Panel by hanging the bend (A) over the top lip of the fixture housing as shown in Fig 5 and 6.
2. Align the three holes in the panel and bracket and drive the (3) screws from the outside of the panel inward and through the holes in the bracket. The holes will thread into the bracket.
3. Install (3) Hex Nuts on the screw threads protruding through the bracket and tighten securely.
4. Inspect the installation to assure the House Side Shield Front Panel is correctly installed and tightly secured to the fixture Housing casting.

### Shipping Package Contents:

House Side Shield Door Panel

**Material:** Aluminum

**Finish:** Powdercoat Paint (shield panel)

**Weight:** 1 lb.

- House Side Shield Front Panel Accessory
- Fasteners (3) Screws 8-32x.250, (3) Hex Nuts 8-32

**Hubbell Lighting**  
701 Millennium Blvd.  
Greenville, SC 29607

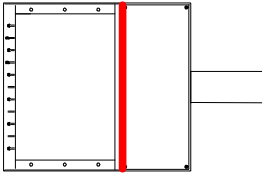
Technical Support: (864) 678-1000  
Fax: (864) 898-1065  
www.hubbell.com

Catalog Number: RA-HSS-ACC-XX  
Instruction Sheet: 93116333\_A

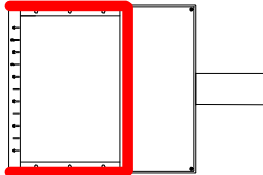
# RATIO HOUSE SIDE SHIELD

## RATIO ACCESSORY

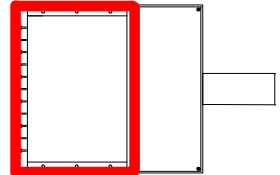
RARx HSS-90-B-xx



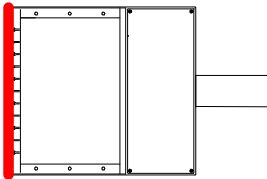
RARx HSS-270-BSS-xx



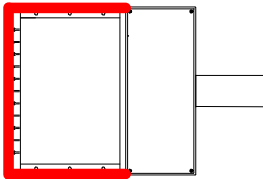
RARx HSS-360-xx



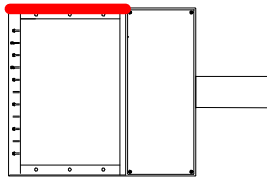
RARx HSS-90-F-xx



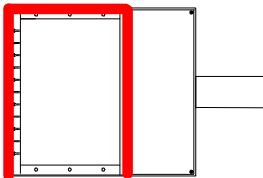
RARx HSS-270-FSS-xx



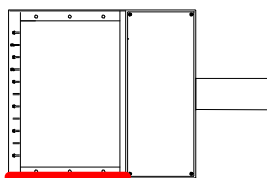
RARx HSS-90-S-xx



RARx HSS-270-FSB-xx



RARx HSS-90-S-xx



RARx HSS-270-FSB-xx

