



GAI-TRONICS®
A HUBBELL COMPANY

Volume Level Control Receiver Assembly Instruction Sheet

Confidentiality Notice

This manual is provided solely as an operational, installation, and maintenance guide and contains sensitive business and technical information that is confidential and proprietary to GAI-Tronics. GAI-Tronics retains all intellectual property and other rights in or to the information contained herein, and such information may only be used in connection with the operation of your GAI-Tronics product or system. This manual may not be disclosed in any form, in whole or in part, directly or indirectly, to any third party.

General Information

This instruction sheet is for use with handset/speaker amplifiers and speaker amplifiers that have a factory-installed Volume Level Control (VC option) printed circuit board assembly installed. The 120 V ac models use 10464-002 VLC assembly. The 24 V dc models use 10464-001 VLC assembly:

120 V AC Amplifier Model No.	PCBA No.
701-302VC	69701-008
701-304VC	69701-014
713-101VC	69713-201
723-001VC	69723-201
751-001VC	69701-010

24 V DC Amplifiers Model No.	PCBA No.
701-307VC	69701-015
713-102VC	69713-202
723-003VC	69723-202
751-002VC	69701-012

PURPOSE: With the addition of the VLC assembly, remote control of the amplifier's volume setting can be achieved by means of an associated 50 kHz signal transmitted across the system page line.

NOTES:

1. W3 has been removed from the amplifier PCB during the installation of the VLC PCBA.
2. Speaker adjustment for normal operation remains under the nameplate on the front panel and does not change with the addition of the VLC. The speaker adjustment for the VLC is factory set and can be varied by adjusting the level potentiometer on the VLC assembly.
3. When an alarm is broadcast and is accompanied by a VLC (50 kHz) signal, it triggers the volume on the Page/Party® VLC amplifier to change level depending on its volume level setting. GAI-Tronics Model 800 and 1200 Series cone speaker assemblies are normally used for indoor applications with low ambient noise, such as offices, corridors, and control rooms. These speakers have a manual, wall-mounted remote volume level control.
4. When these speakers are powered by a Page/Party® VLC amplifier, and the volume level is manually turned down using the wall-mounted remote volume level control, the signal that increases the volume on the VLC amplifier will not bypass the manual setting. These speakers remain “turned down,” regardless of the output signal of the amplifier, and the alarm broadcast level does NOT increase on the cone speaker assemblies.
5. The Model 800 and 1200 Series speakers can be used in emergency notification systems; however, we suggest that the customer NOT install the wall-mounted remote volume level control for this type of application.
6. DO NOT READJUST the frequency potentiometer on the VLC assembly.

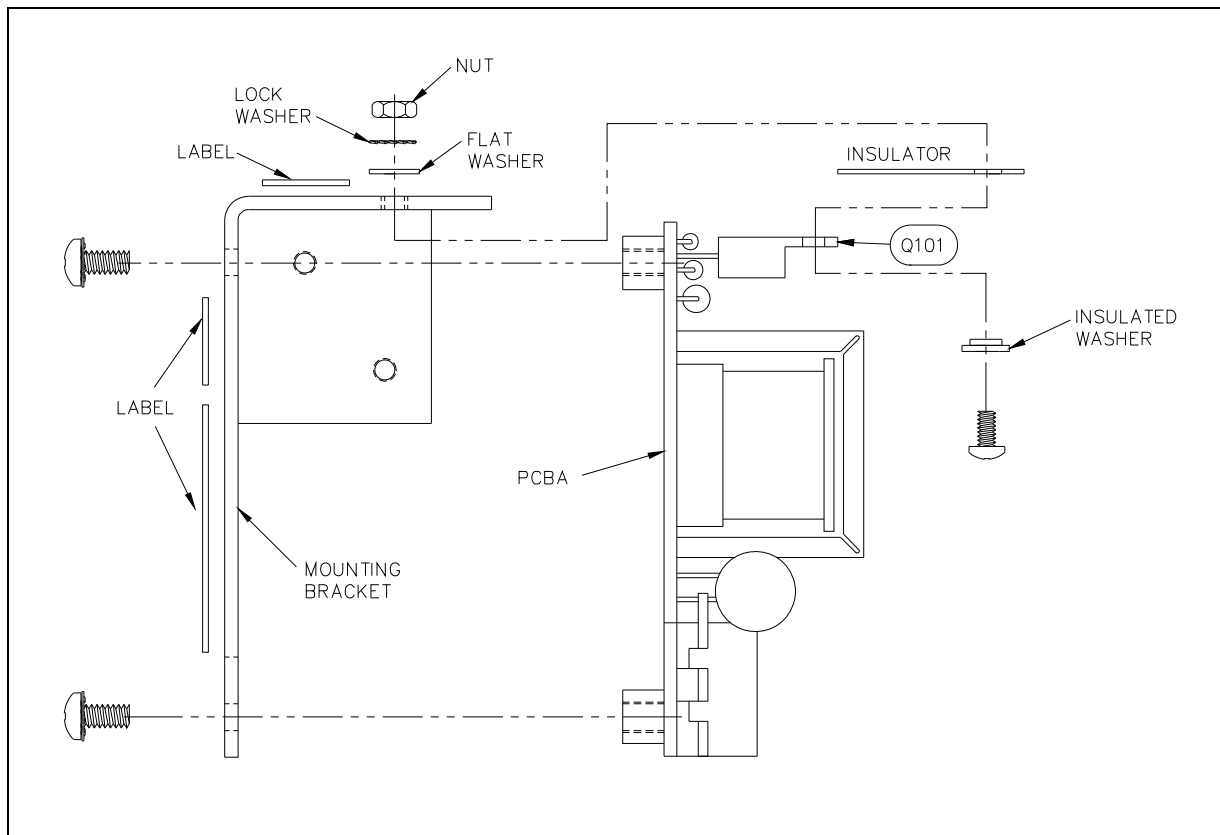


Figure 1. VLC assembly used in 24 V dc amplifiers

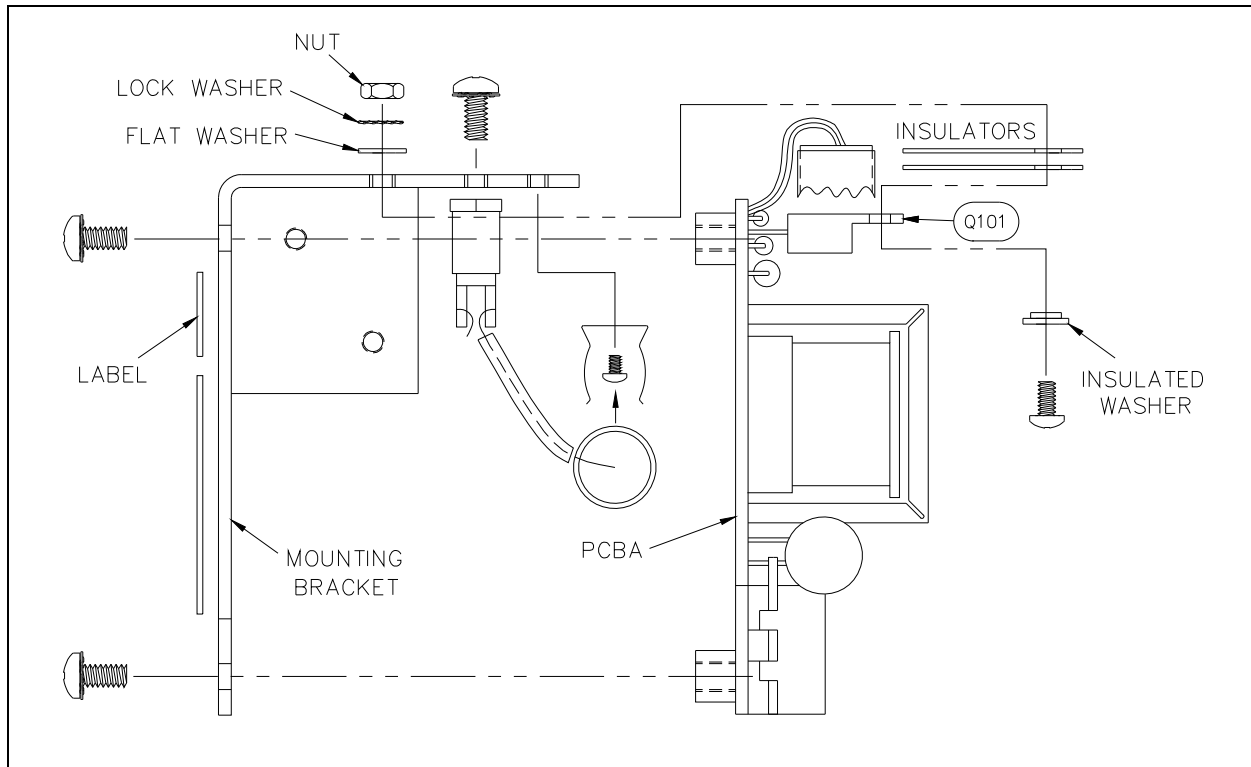


Figure 2. VLC assembly used in 120 V ac amplifiers

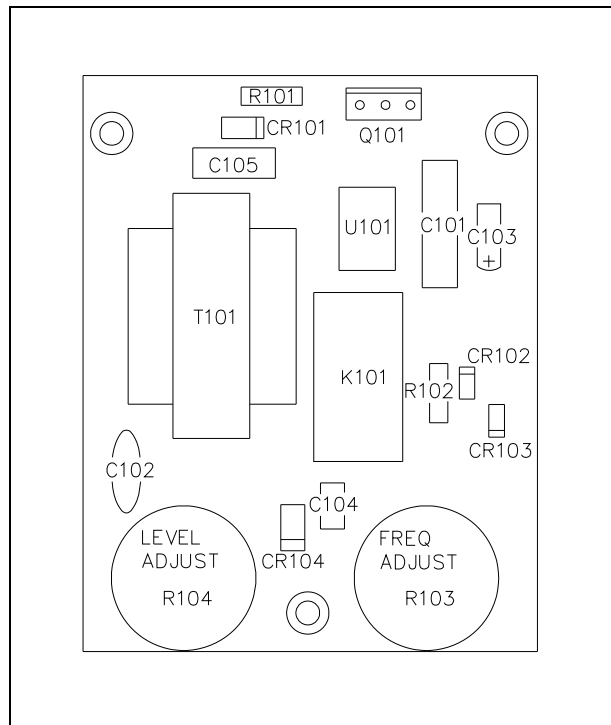


Figure 3. VLC PCBA Component Location

Specifications

Input voltage to VLC assembly (as applicable):

10464-001 for use in 24 V dc amplifier applications 21–28 V (25 V dc nominal)

10464-002 for use in 120 V ac amplifier applications 130–190 V (160 V dc nominal)

Input sensitivity @ 50 kHz rms ± 50 Hz in must activate by 40 mVrms maximum

Bandwidth capture range @ 300 mVrms in..... 50 kHz ± 2 kHz minimum
 ± 5 kHz maximum

Warranty

Equipment. GAI-Tronics warrants for a period of one (1) year from the date of shipment, that any GAI-Tronics equipment supplied hereunder shall be free of defects in material and workmanship, shall comply with the then-current product specifications and product literature, and if applicable, shall be fit for the purpose specified in the agreed-upon quotation or proposal document. If (a) Seller's goods prove to be defective in workmanship and/or material under normal and proper usage, or unfit for the purpose specified and agreed upon, and (b) Buyer's claim is made within the warranty period set forth above, Buyer may return such goods to GAI-Tronics' nearest depot repair facility, freight prepaid, at which time they will be repaired or replaced, at Seller's option, without charge to Buyer. Repair or replacement shall be Buyer's sole and exclusive remedy. The warranty period on any repaired or replacement equipment shall be the greater of the ninety (90) day repair warranty or one (1) year from the date the original equipment was shipped. In no event shall GAI-Tronics warranty obligations with respect to equipment exceed 100% of the total cost of the equipment supplied hereunder. Buyer may also be entitled to the manufacturer's warranty on any third-party goods supplied by GAI-Tronics hereunder. The applicability of any such third-party warranty will be determined by GAI-Tronics.

Services. Any services GAI-Tronics provides hereunder, whether directly or through subcontractors, shall be performed in accordance with the standard of care with which such services are normally provided in the industry. If the services fail to meet the applicable industry standard, GAI-Tronics will re-perform such services at no cost to buyer to correct said deficiency to Company's satisfaction provided any and all issues are identified prior to the demobilization of the Contractor's personnel from the work site. Re-performance of services shall be Buyer's sole and exclusive remedy, and in no event shall GAI-Tronics warranty obligations with respect to services exceed 100% of the total cost of the services provided hereunder.

Warranty Periods. Every claim by Buyer alleging a defect in the goods and/or services provided hereunder shall be deemed waived unless such claim is made in writing within the applicable warranty periods as set forth above. Provided, however, that if the defect complained of is latent and not discoverable within the above warranty periods, every claim arising on account of such latent defect shall be deemed waived unless it is made in writing within a reasonable time after such latent defect is or should have been discovered by Buyer.

Limitations / Exclusions. The warranties herein shall not apply to, and GAI-Tronics shall not be responsible for, any damage to the goods or failure of the services supplied hereunder, to the extent caused by Buyer's neglect, failure to follow operational and maintenance procedures provided with the equipment, or the use of technicians not specifically authorized by GAI-Tronics to maintain or service the equipment. **THE WARRANTIES AND REMEDIES CONTAINED HEREIN ARE IN LIEU OF AND EXCLUDE ALL OTHER WARRANTIES AND REMEDIES, WHETHER EXPRESS OR IMPLIED BY OPERATION OF LAW OR OTHERWISE, INCLUDING ANY WARRANTIES OF MERCHANTABILITY OR FITNESS FOR A PARTICULAR PURPOSE.**

Return Policy

If the equipment requires service, contact your Regional Service Center for a return authorization number (RA#). Equipment should be shipped prepaid to GAI-Tronics with a return authorization number and a purchase order number. If the equipment is under warranty, repairs or a replacement will be made in accordance with the warranty policy set forth above. Please include a written explanation of all defects to assist our technicians in their troubleshooting efforts.

Call 800-492-1212 (inside the USA) or 610-777-1374 (outside the USA) for help identifying the Regional Service Center closest to you.