



GAI-TRONICS® CORPORATION
A HUBBELL COMPANY

Model 238-001 Series

Stainless Steel Surface-Mount Enclosures

Confidentiality Notice

This manual is provided solely as an installation, operation, and maintenance guide, which contains sensitive business and technical information, that is confidential and proprietary to GAI-Tronics. GAI-Tronics retains all intellectual property and other rights in or to the information contained herein, and such information may only be used in connection with the operation of your GAI-Tronics product or system. This manual may not be disclosed in any form, in whole or in part, directly or indirectly, to any third party.

General Information

The Model 238-001 Stainless Steel Surface-Mount Enclosure is designed to house all standard GAI-Tronics flush-panel telephones that measure 12.0 H × 10.0 W inches and provides surface-mounting capability.

The following components are supplied with the Model 238-001 Enclosure:

Qty	Description
1	Telephone jack
1	Adhesive pad (double sided)
1	CAUTION label
1	Access hole gasket
4	Rubber washers

The Model 238-001FS Stainless Steel Surface-Mount Enclosure is designed to house all compact GAI-Tronics flush-panel telephones with model numbers ending in “FS” that measure 8.5 H × 6.5 W inches and provides surface-mounting capability.

The following components are supplied with the Model 238-001FS Enclosure:

Qty	Description
2	Access hole gaskets
3	Conduit hole seals
4	#10 Stainless steel/neoprene washers



Installation

Safety Guidelines

When installing GAI-Tronics' telephone equipment, please adhere to the following guidelines to ensure the safety of all personnel:

- NEVER install telephone wiring during a lightning storm.
- NEVER install telephone jacks in wet locations unless the jack is specifically designed for wet locations.
- NEVER touch uninsulated telephone wires or terminals unless the telephone line has been disconnected at the network interface.
- USE CAUTION when installing or modifying telephone lines.

Installation Guidelines

- GAI-Tronics highly recommends that a line surge suppressor be installed to guard against lightning strikes. Please consult Distributor Sales at 800-838-9313 if further information is required.
- Sealed fittings should be installed at all cable entry points to prevent liquids from entering the unit.
-  **NOTE**  GAI-Tronics flush-mount style telephones are equipped with a metal back box that is not required and *should be removed* prior to installing the telephone in the Model 238-001XX Surface Mount Enclosure.

Mounting for Model 238-001

1. A 1.00-inch diameter hole is located in the rear of the enclosure for wire entry. Apply the supplied gasket to the rear of the enclosure before mounting to ensure sealing.
2. Mount the enclosure on a flat wall surface using the four 5/16-inch (0.312 in) diameter mounting holes as shown in Figure 1. Four rubber washers are provided to ensure sealing. Mounting hardware is not provided.
3. Secure the CAUTION label to the rear surface of the enclosure, in proximity of the telephone jack. Refer to Figure 1 for recommended location.

Mounting for Model 238-001FS

1. Four 0.86-inch diameter holes are available for wire entry. Two are located on the rear of the enclosure and two are located on the bottom of the enclosure for conduit entry. Apply the supplied access hole gaskets around any used entry hole in the rear of the enclosure to ensure proper sealing. Three conduit seals are provided for any unused entry holes.
2. Mount the enclosure on a flat wall surface using the four ¼ inch (0.25 in) diameter mounting holes as shown in Figure 2. Four #10 stainless steel/neoprene washers are provided to ensure sealing. Additional mounting hardware is not included.

Wiring

1. Refer to the applicable phone manual for wiring details.
2. Attach the front panel of the flush-mount telephone to the mounting flanges of the Model 238-001XX Enclosure using the six #10 security screws and the six black flat washers that are provided with the telephone. For proper sealing, secure the #10-32 screws with a torque setting of 15–20 in-lbs. (1.7–2.26 n-m) maximum. A Model 233-001 Security Screwdriver (sold-separately) is required for installing the security screws (Torx T-25).

Specifications

Construction..... Type 304 stainless steel, 0.063-in thickness

FinishBrushed and passivated

Mounting..... Four 5/16-in (0.312 mm) diameter mounting holes in mounting bosses

Dimensions:

Model 238-001 12.13 H × 10.18 W × 2.65 D in (308 × 259 × 67 mm) maximum

Model 238-001FS 8.5 H × 6.5 W × 2.56 D in (215 × 165.1 × 65.0 mm) maximum

Shipping weight

Model 238-001 5.0 lb (2.3 kg) maximum

Model 238-001FS 3.0 lb (1.4 kg) maximum

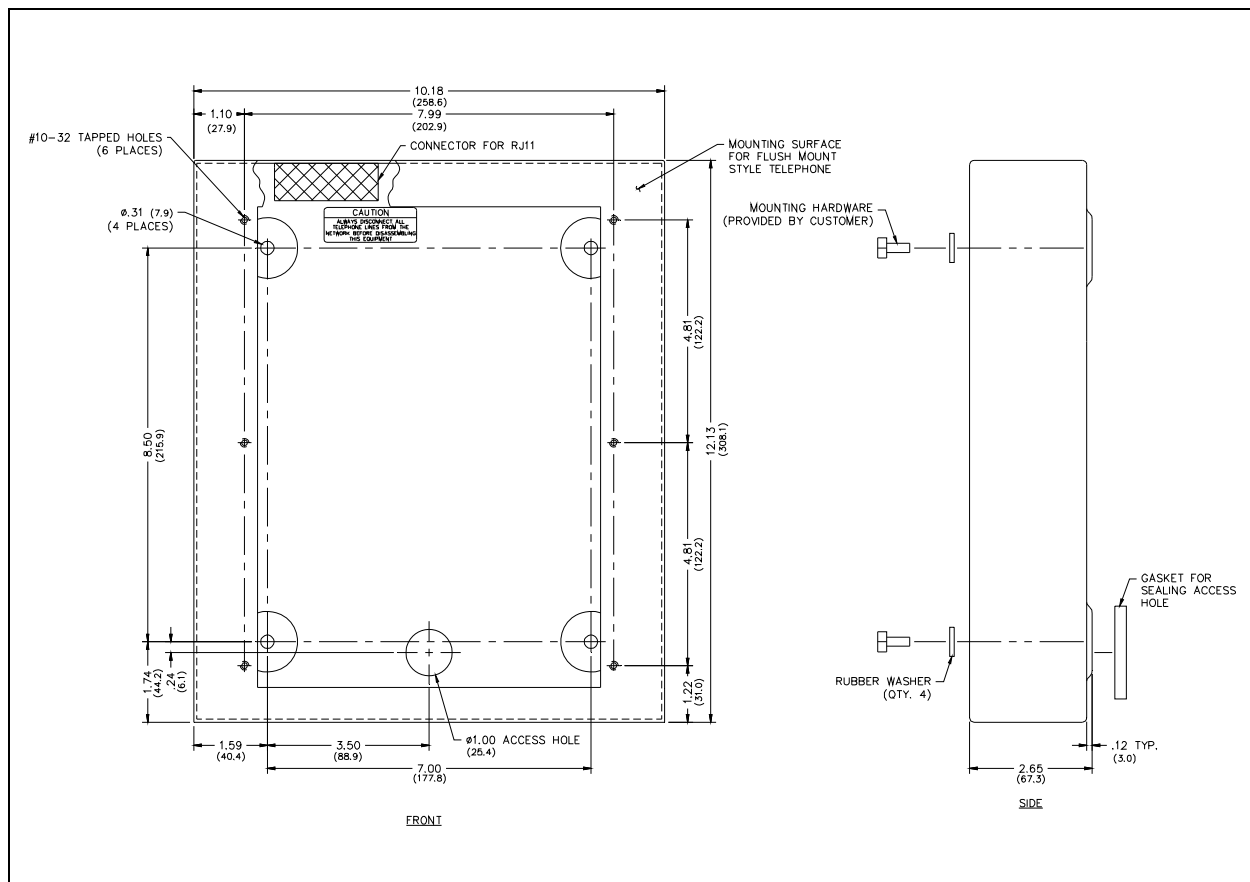


Figure 1. Model 238-001 Surface-Mount Enclosure Outline

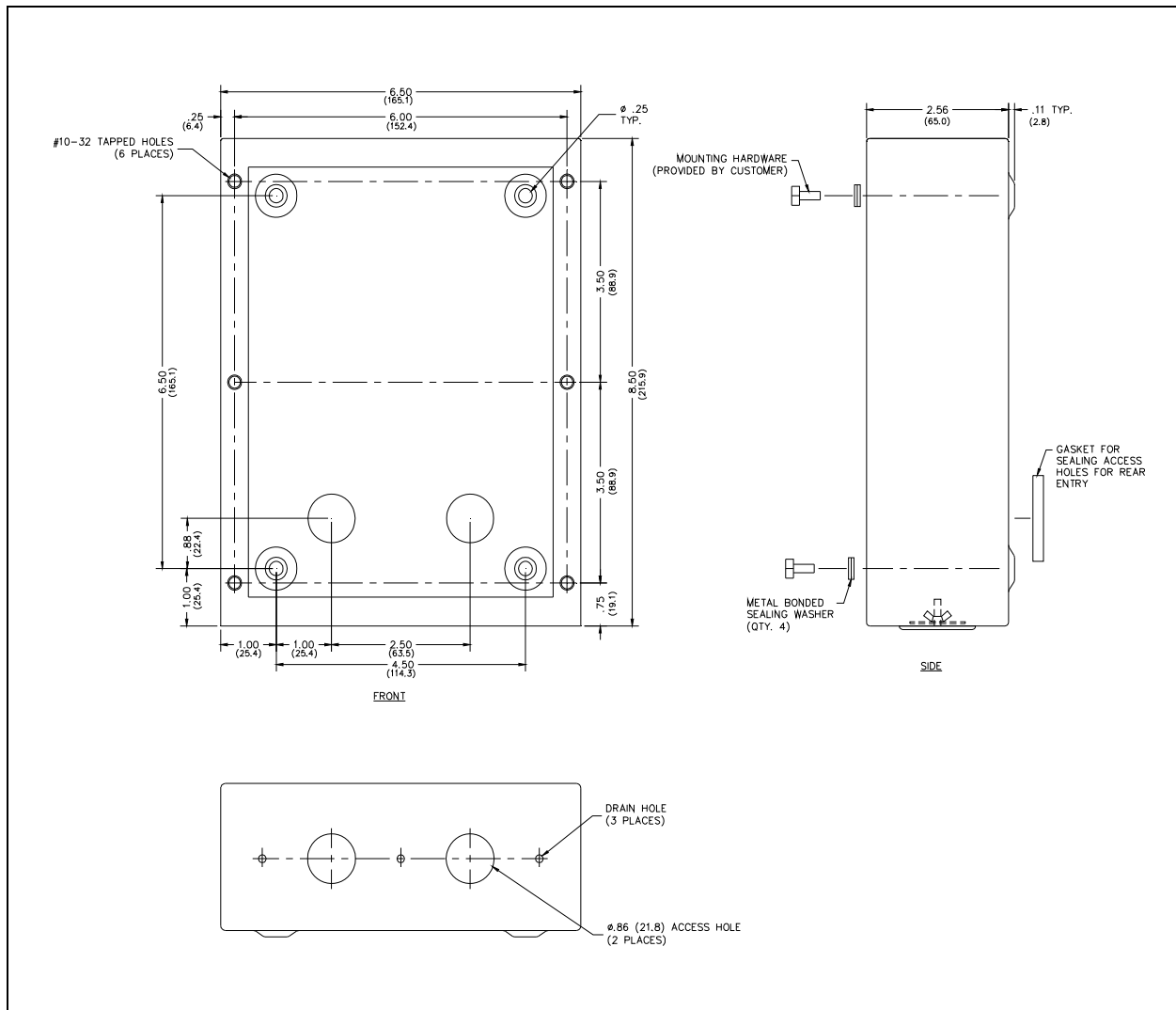


Figure 2. Model 238-001FS Surface-Mount Enclosure Outline

Accessories	
231-001*	Pole Mounting Kit

*NOTE: Not compatible with Model 238-001FS.