



GAI-TRONICS® CORPORATION
A HUBBELL COMPANY

Mounting Bracket Replacement Kit

MODEL 12526-001

Confidentiality Notice

This manual is provided solely as an operational, installation, and maintenance guide and contains sensitive business and technical information that is confidential and proprietary to GAI-Tronics. GAI-Tronics retains all intellectual property and other rights in or to the information contained herein, and such information may only be used in connection with the operation of your GAI-Tronics product or system. This manual may not be disclosed in any form, in whole or in part, directly or indirectly, to any third party.

General Information

The Model 12526-001 Mounting Bracket Replacement Kit is used with the Model 13302, 13304, 13309 and 13340 Horns. Some of the parts for these models are the same.

Installation

Installation of Model 13340 Speaker Horn

Hardware used for Model 13340 installation only:

Qty.	Description	ID# on Figure 1
1	Speaker mounting bracket, stainless steel	1
2	Hex bolt, 1/2-13x1.25-inch, stainless steel	2
2	Lock washer, split-ring, 1/2-inch stainless steel	3
2	Lock washer, internal/external tooth, 1/2-inch stainless steel	4
2	Carriage bolt*, 3/8-16x0.75-inch, stainless steel	
2	Hex nut*, 3/8-inch, stainless steel	
2	Lock washer*, split-ring, 3/8-inch, stainless steel	

*For Model 411A Wall Mounting Bracket Assembly: The stainless steel hardware designated replaces the existing cadmium-plated hardware that is used to attach the speaker mounting bracket to the wall mounting bracket assembly.

MODEL 12526-001 MOUNTING BRACKET REPLACEMENT KIT

NOTE: The numbers called out in the following instructions refer to the identification numbers in Figure 1.

1. Disassemble and remove the existing hex bolts, split-ring lock washers, and internal/external tooth lock washers from each side of the horn. Remove the existing bracket.
(Disassembling the horn body is not required because the square nuts pocketed in the horn will be used for attaching the new bracket to the horn. New stainless steel hardware is included in this kit to replace the existing bracket hardware, if needed.)
2. Align the mounting bracket (#1) and the internal/external tooth lock washers (#4) with the side holes of the speaker mounting ears. [The bracket can be reversed to place the chamfered corner on a particular side. Chamfered corners can be used as an alternate mounting method (using welding or bolting) to mount the bracket at a particular angle.]
3. Insert the hex bolts (#2) through the split-ring lock washers (#3), the mounting bracket (#1), and the internal/external tooth lock washers (#4), and tighten them into the square nuts located inside the speaker mounting ears.
4. Orient the horn to the desired position, and tighten the ½-inch hex bolts to 180–210 in-lbs. torque.

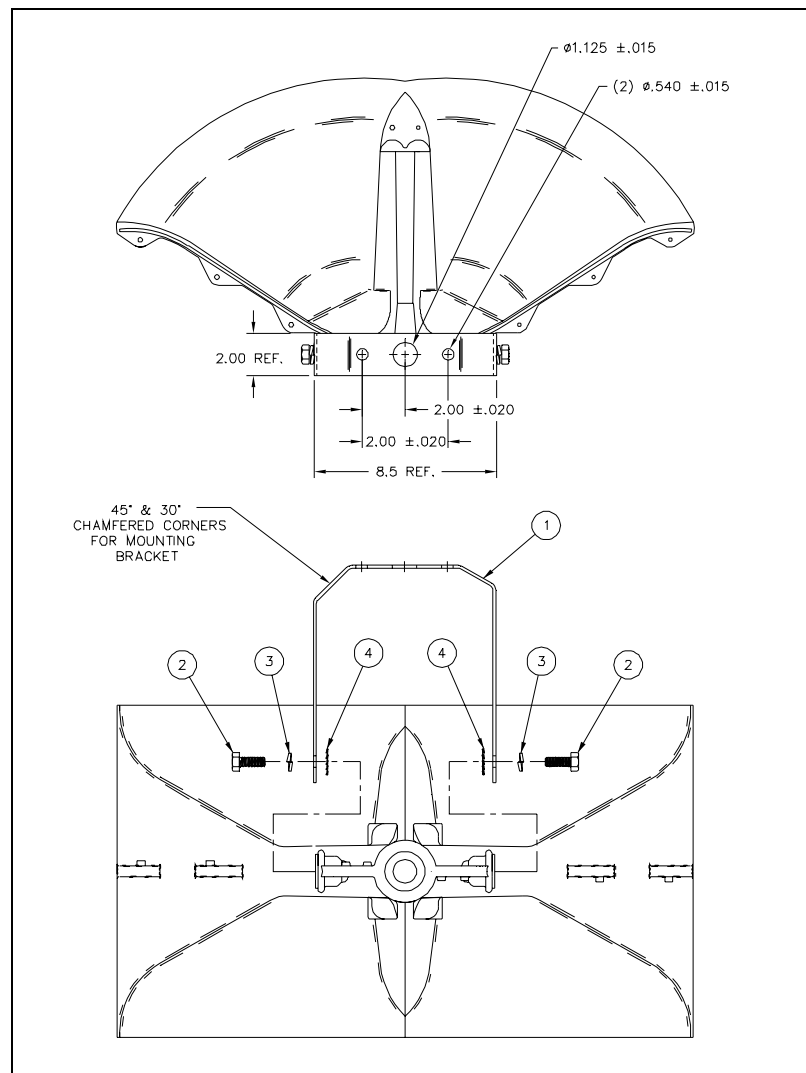


Figure 1.

Installation of Model 13302 and 13304 Speaker Horns

Hardware used for Model 13302 and 13304 installation only. (Not shown in Figure 1.)

Qty.	Description
------	-------------

- | | |
|---|--|
| 1 | Speaker mounting bracket, stainless steel |
| 2 | Carriage bolt, ½-13×1.25-inch, stainless steel |
| 2 | Hex nut, ½-inch, stainless steel |
| 2 | Flat washer, ½-inch, stainless steel |
| 2 | Lock washer, split-ring, ½-inch, stainless steel |
1. Disassemble and remove existing mounting bolts, split-ring lock washers, and flat washers from each side of the horn. Remove the existing bracket. (New stainless steel hardware is included in this kit to replace the existing bracket hardware, if needed.)
 2. Align the new stainless steel mounting bracket over mounting holes on sides of horn.
 3. Insert the hex bolts through the split ring lock washers, the ½-inch flat washers, and the mounting bracket and into the threaded holes located each side of the horn.
 4. Orient the horn to the desired position, and tighten the nuts to 180–200 in-lbs. torque.

Installation of Model 13309 Speaker Horn

Hardware used for Model 13309 installation only. (Not shown in Figure 1.)

Qty.	Description
1	Speaker mounting bracket, stainless steel
2	Carriage bolt, ½-13×1.25-inch, stainless steel
2	Hex nut, ½-inch, stainless steel
2	Flat washer, ½-inch, stainless steel
2	Lock washer, split ring, ½-inch, stainless steel
2	Carriage bolt*, 3/8-16×0.75-inch, stainless steel
2	Hex nut*, 3/8-inch, stainless steel
2	Lock washer*, split-ring, 3/8-inch, stainless steel

*For Model 411A Wall Mounting Bracket Assembly: The stainless steel hardware designated replaces the existing cadmium-plated hardware that is used to attach the speaker mounting bracket to the wall mounting bracket assembly.

1. Disassemble and remove the existing carriage bolts, hex nuts, flat washers, and split-ring lock washers from each side of the horn. Remove the existing bracket. (New stainless steel hardware is included in this kit to replace the existing bracket hardware, if needed.)
2. From the front of the horn, insert the ½-13×1.25-inch carriage bolt. Feed the bolt through the molded opening at the side of the horn. The bolt will face out and away from the horn. Repeat this with the other ½-13×1.25-inch bolt on the opposite side of the horn.
3. Place the ½-inch flat washers over the bolts.
4. Place the mounting bracket over the bolts.
5. Place the ½-inch split-ring lock washers over the bolts. Place the ½-inch hex nuts on the bolts.
6. Orient the horn to the desired position, and tighten the nuts to 180–200 in-lbs. torque.

Warranty

Equipment. GAI-Tronics warrants for a period of one (1) year from the date of shipment, that any GAI-Tronics equipment supplied hereunder shall be free of defects in material and workmanship, shall comply with the then-current product specifications and product literature, and if applicable, shall be fit for the purpose specified in the agreed-upon quotation or proposal document. If (a) Seller's goods prove to be defective in workmanship and/or material under normal and proper usage, or unfit for the purpose specified and agreed upon, and (b) Buyer's claim is made within the warranty period set forth above, Buyer may return such goods to GAI-Tronics' nearest depot repair facility, freight prepaid, at which time they will be repaired or replaced, at Seller's option, without charge to Buyer. Repair or replacement shall be Buyer's sole and exclusive remedy. The warranty period on any repaired or replacement equipment shall be the greater of the ninety (90) day repair warranty or one (1) year from the date the original equipment was shipped. In no event shall GAI-Tronics warranty obligations with respect to equipment exceed 100% of the total cost of the equipment supplied hereunder. Buyer may also be entitled to the manufacturer's warranty on any third-party goods supplied by GAI-Tronics hereunder. The applicability of any such third-party warranty will be determined by GAI-Tronics.

Services. Any services GAI-Tronics provides hereunder, whether directly or through subcontractors, shall be performed in accordance with the standard of care with which such services are normally provided in the industry. If the services fail to meet the applicable industry standard, GAI-Tronics will re-perform such services at no cost to buyer to correct said deficiency to Company's satisfaction provided any and all issues are identified prior to the demobilization of the Contractor's personnel from the work site. Re-performance of services shall be Buyer's sole and exclusive remedy, and in no event shall GAI-Tronics warranty obligations with respect to services exceed 100% of the total cost of the services provided hereunder.

Warranty Periods. Every claim by Buyer alleging a defect in the goods and/or services provided hereunder shall be deemed waived unless such claim is made in writing within the applicable warranty periods as set forth above. Provided, however, that if the defect complained of is latent and not discoverable within the above warranty periods, every claim arising on account of such latent defect shall be deemed waived unless it is made in writing within a reasonable time after such latent defect is or should have been discovered by Buyer.

Limitations / Exclusions. The warranties herein shall not apply to, and GAI-Tronics shall not be responsible for, any damage to the goods or failure of the services supplied hereunder, to the extent caused by Buyer's neglect, failure to follow operational and maintenance procedures provided with the equipment, or the use of technicians not specifically authorized by GAI-Tronics to maintain or service the equipment. **THE WARRANTIES AND REMEDIES CONTAINED HEREIN ARE IN LIEU OF AND EXCLUDE ALL OTHER WARRANTIES AND REMEDIES, WHETHER EXPRESS OR IMPLIED BY OPERATION OF LAW OR OTHERWISE, INCLUDING ANY WARRANTIES OF MERCHANTABILITY OR FITNESS FOR A PARTICULAR PURPOSE.**

Return Policy

If the equipment requires service, contact your Regional Service Center for a return authorization number (RA#). Equipment should be shipped prepaid to GAI-Tronics with a return authorization number and a purchase order number. If the equipment is under warranty, repairs or a replacement will be made in accordance with the warranty policy set forth above. Please include a written explanation of all defects to assist our technicians in their troubleshooting efforts.

Call 800-492-1212 (inside the USA) or 610-777-1374 (outside the USA) for help identifying the Regional Service Center closest to you.