

ARRESTER DISCHARGE COUNTER



Installation Instructions

CAUTION

The equipment covered by these instructions should be installed and serviced only by competent personnel familiar with good safety practices. This instruction is written for such personnel and is not intended as a substitute for adequate training and experience in safe procedures.

HANDLING

This instrument should not be subjected to rough handling or mechanical shocks either during or after installation to prevent damage. This unit is sealed in a weatherproof housing. Do not modify the housing, front lens, mounting connector or rubber grommet as this may compromise the discharge counter seal integrity.

PACKAGING FOR SHIPMENT

Each unit is packaged in its own box. Additional hardware items are also included with the counter.

INITIAL INSPECTION

Rough handling can result in damage to the counter. Units should be carefully removed from the box for inspection. Careful inspection of individual units prior to installation is required to assure that no damage has occurred during shipment. If damage is apparent, do not install the counter. Claims for shipping damage should be registered immediately with the common carrier.

TERMINALS

Terminals for both line and ground connections are provided. Care must be taken not to strain these terminals. The maximum tightening torque is 90 in-lbs (10 Nm) for the line and ground terminal connections. Cable connections should not place excess force on the discharge counter. Support the line and ground connections with insulated supports.

MOUNTING

The counter must be located horizontally. See mounting illustration on next page.

For mounting directly to arrester base:

The mounting bracket / line terminal of the surge counter is directly bolted to the insulated arrester base. No additional line lead wire is required. Connect the counter bottom terminal to ground.

For mounting independent of arrester base:

To minimize voltage drop, the lead wires should be as short as possible. Hubbell recommends 30 cm (12in) of #4 AWG, 600V insulated lead wire to connect the insulated arrester base to the counter bottom terminal and connect the surge counter mounting bracket to ground. Avoid placing excess weight on the counter mounting bracket as this may compromise the units seal integrity.

CLEARANCE

It is important that a clearance of at least 1.25" (30mm) is maintained between the line terminal of the surge counter and any object at ground potential.

MAINTENANCE

Under normal operating conditions, no maintenance is required, apart from general cleaning of the glass viewing window with anti-static cleaner. No electrical tests should be made without first consulting with Hubbell.

INSULATING BASES

An insulating base is required when installing a discharge counter with arresters. Both of these are accessories and are available through your HPS sales person.

Subbases- Arresters with discharge counters require that the arrester is insulated from the ground with insulating subbases.



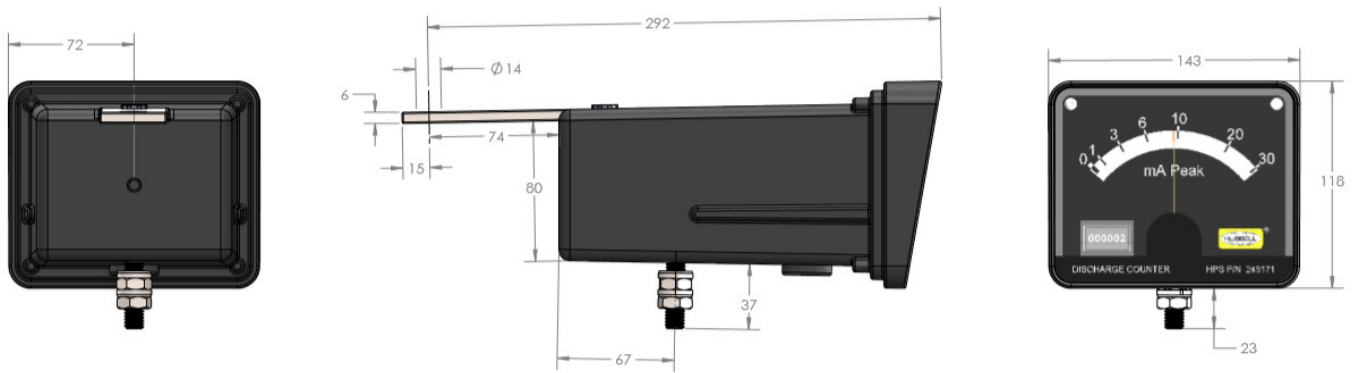
2721453076 (Heavy Duty Insulating Base)



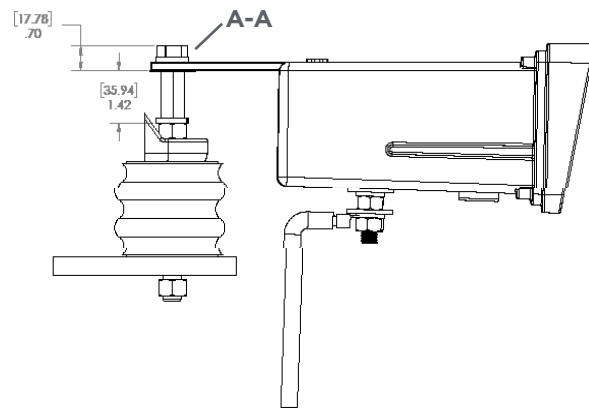
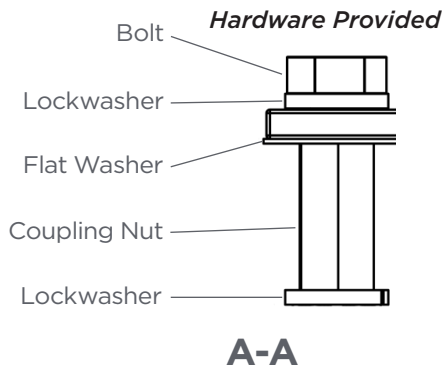
2730973001 (Normal Duty Insulating Base)

ORDERING INFO

Catalog Number	Description
245170	Counter without Leakage Current Meter
245171	Counter with Leakage Current Meter (0-30 mA peak)
245176	Counter with Leakage Current Meter (0-30 mA peak with 0.45 m long cable for Aux remote connection)
245177	Counter with Leakage Current Meter (0-50 mA peak)
Accessories	
2730973001	Subbase for arrester with mass up to 218 kg (420 lb)
2721453076	Subbase for arrester with mass greater than 218 kg (420 lb)

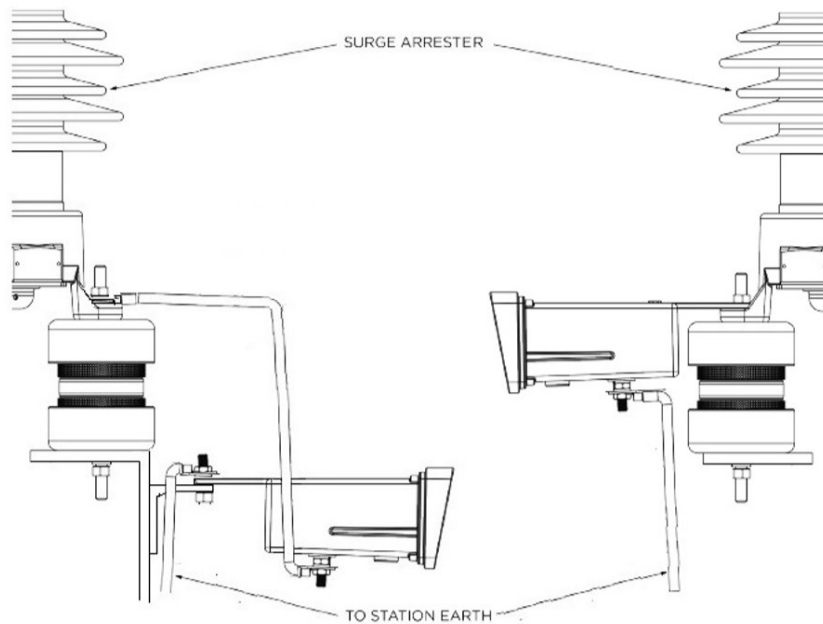


Application Examples



Independent Mounting

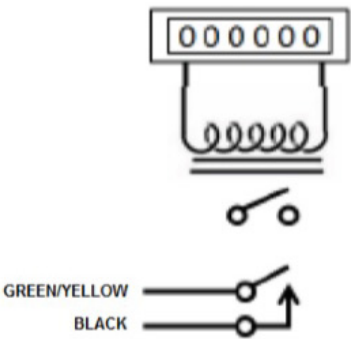
Arrester Base Mount



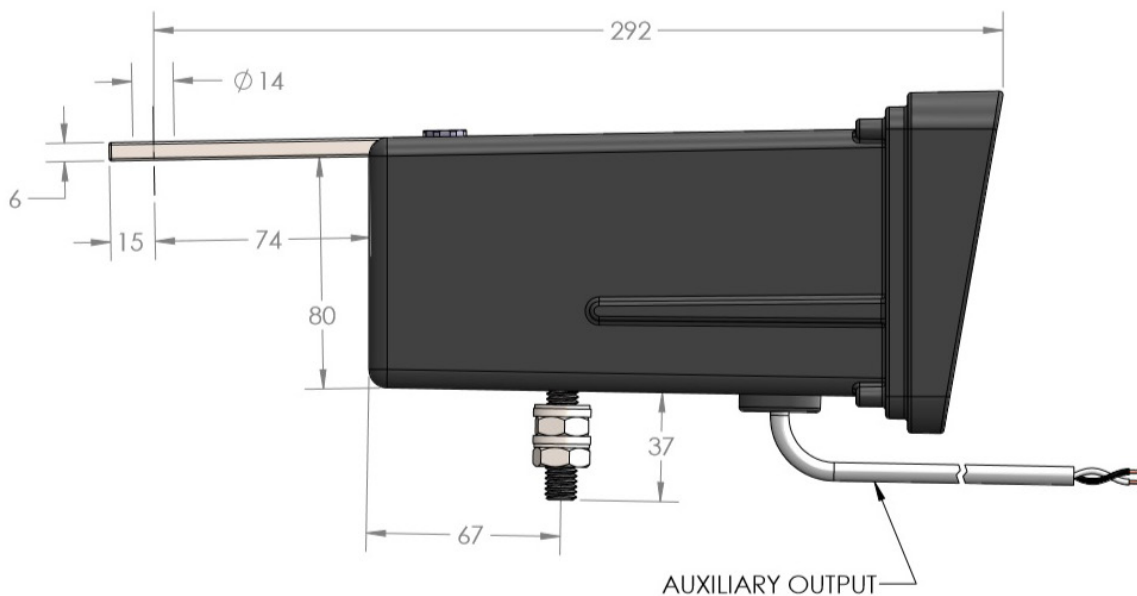
This counter has been designed so that the leads/terminals can be interchanged and not affect functionality.

Additional Details for 245176

ORDERING INFO

Catalog Number	Description
245176	<p>Counter with Leakage Current Meter (0-30 mA) & Auxiliary Remote Contact (normally open). Rated 8 A/250VAC, 24VDC</p> <p>Dry Form 1A(N.O)</p> 

OUTER DIMENSION DETAILS



Hubbell Power Systems, Inc. | 1850 Richland Avenue, East
Aiken, SC 29801 | (803) 648-8386

These instructions do not purport to cover all details or variations in equipment nor to provide for every possible contingency to be met in connection with installation, operation or maintenance. Should further information be desired or should particular problems arise which are not covered sufficiently for the purchaser's purposes, the matter should be referred to Hubbell Power Systems, Inc.



hubbellpowersystems.com

DISCHARGE COUNTER | REV 09/2020

For product inquiries, please contact your local sales representative or customer service representative.

©2020 Hubbell Incorporated.
Because Hubbell has a policy of continuous product improvement, we reserve the right to change design and specifications without notice.
Printed in the U.S.A. | TD_01_034_E