

SureFit™

Full-Tension Aluminum Automatic Splices

Recommended Installation Instructions



Hubbell has a policy of continuous product improvement. Please visit hubbellpowersystems.com to confirm current design specifications.

 **CONDUCTOR MUST BE CLEAN (WIRE BRUSHED), STRAIGHT, IN LAY AND FREE OF BURRS TO ENSURE PROPER INSTALLATION AND LONG TERM PERFORMANCE.**

DANGER

DESIGNED for full tension applications.

Do NOT use on slack span applications.

Do NOT remove hoist or come-along without both funnels being released.

A MINIMUM installation tension of 15% of the conductor RBS is recommended for best electrical performance.

Do NOT reuse SureFit™ aluminum automatic splice.

NOTICE

Keep SureFit™ aluminum automatic splice inside bag until installation time.

Instructions provided for reference only and should not replace utility training.

Do NOT hit the SureFit™ aluminum automatic splice with any tool or other object to set the jaws.

Contact Hubbell Power Systems, Inc. for application questions.











-  1. Place the grips of the hoist or come-along as far apart as possible. This creates slack in the conductor to simplify insertion.
-  2. Do **NOT** remove color coded funnel guides from ends of splice.
-  3. Check the conductor size and type stamped at the center of the splice (center stop location) to ensure correct size for application. See Figure 1 for internal components.
-  4. Straighten the conductor to remove any coil or curvature. Be sure that the conductor is as straight as possible and that the strands are in lay before proceeding with installation.
-  5. If shortening is necessary, determine where the cut point on the conductor will be, then tape the conductor next to the cut point. Cut the conductor squarely to make certain that all strands are even and in lay.
-  6. File the burrs from the conductor end. **REMOVE TAPE.**
-  7. Measure the portion of the conductor that will be inserted from end of funnel guide to center stop, and **CLEAN IT WITH A WIRE BRUSH**, regardless of the conductor condition.
-  8. Insert the conductor smoothly in one motion **WITHOUT TWISTING** until the funnel guide is released. Do **NOT** attempt reinsertion if the funnel guide remains fully seated. See Figures 2 - 3.
-  9. After both ends have been inserted, pull down firmly on the splice to obtain an initial jaw set on the conductor.
-  10. Apply tension on span by loosening the hoist or come-along. Move to center of span and pull down on the conductor, then remove hoist or come-along.

Figure 1

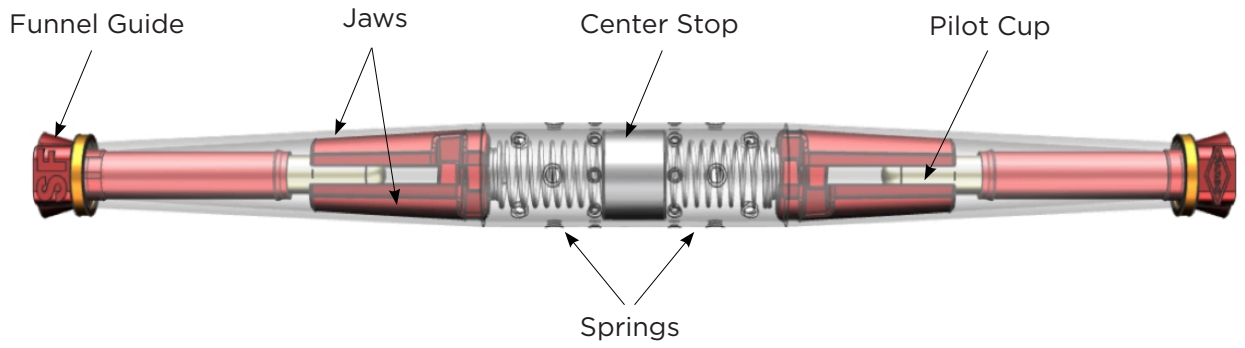
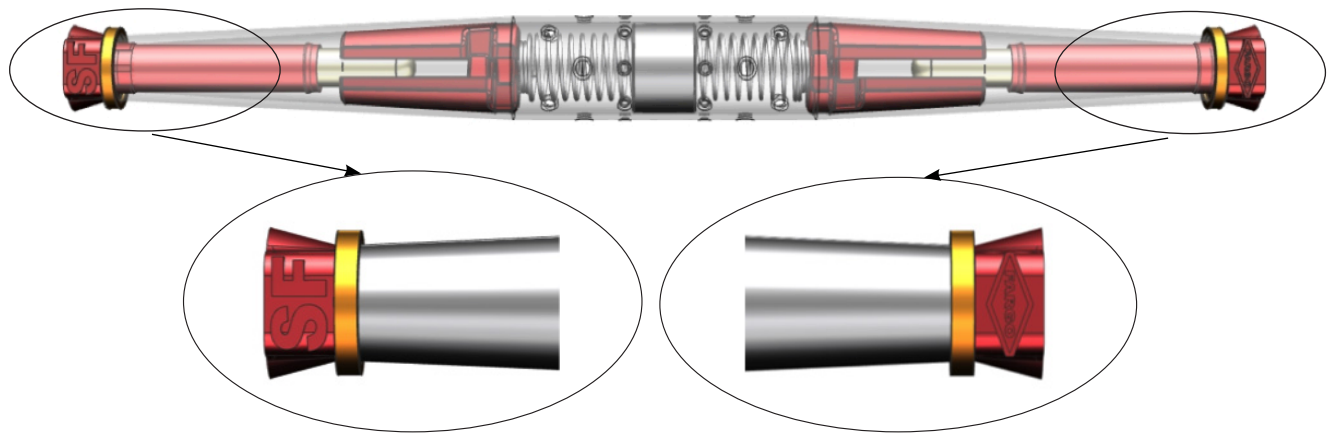
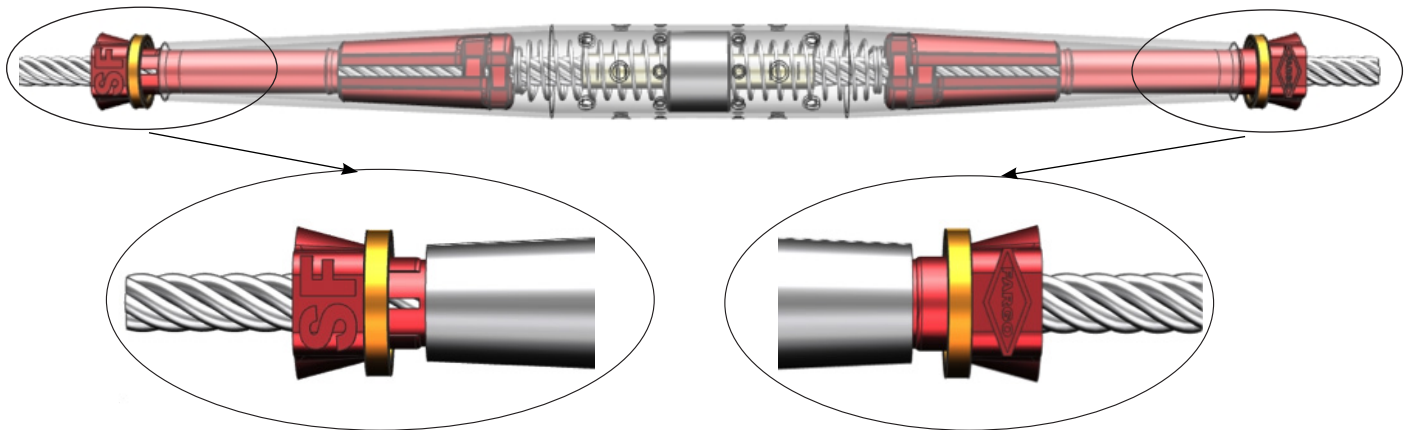


Figure 2



Close up - Fully Seated Funnel Guide

Figure 3



Close up - Released Funnel Guide

Hubbell Power Systems, Inc.
1615 Moore's St.
Leeds, AL 35094
(205) 699-2411
www.hubbellpowersystems.com

Hubbell has a policy of continuous product improvement. Please visit hubbellpowersystems.com to confirm current design specifications.

TD_05_061_E