



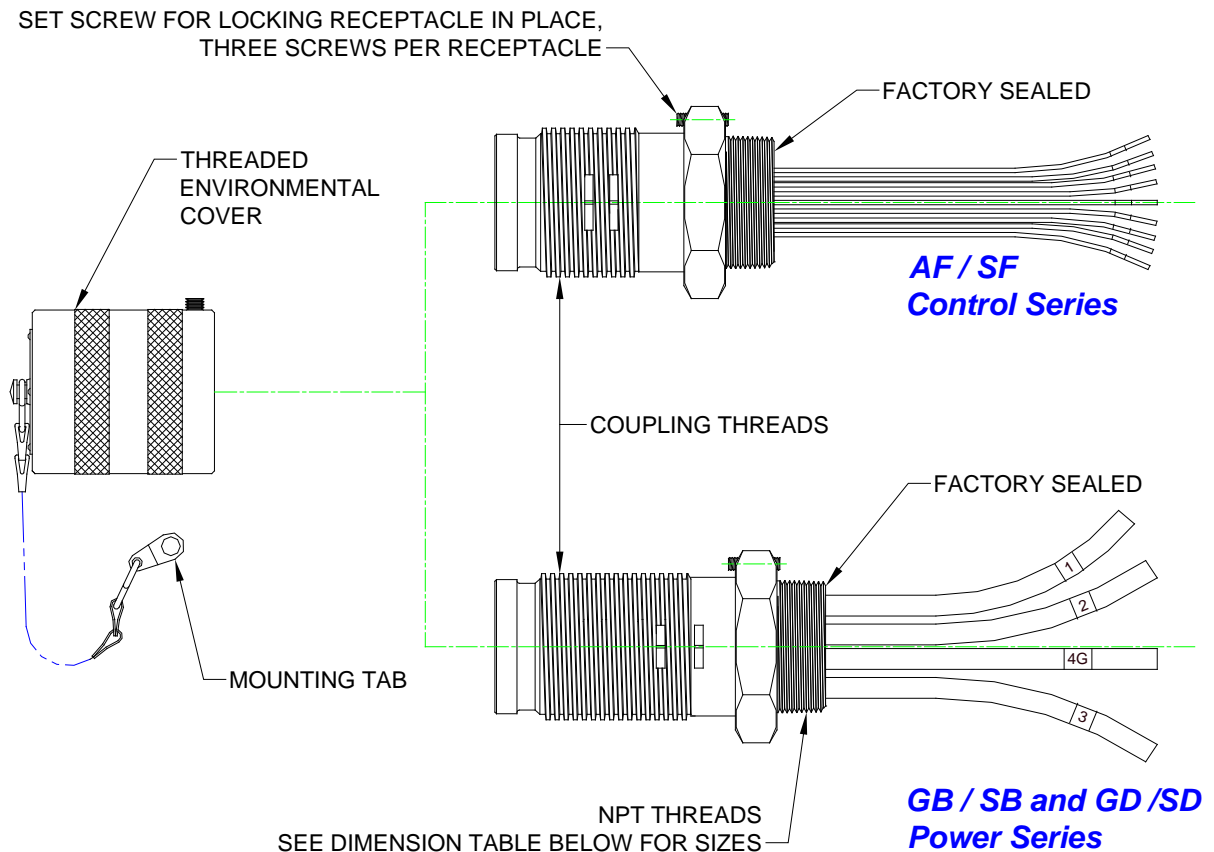
Vantage Technology

NPT Mount Receptacles

AF/SF, GB/SB and GD/SD Series

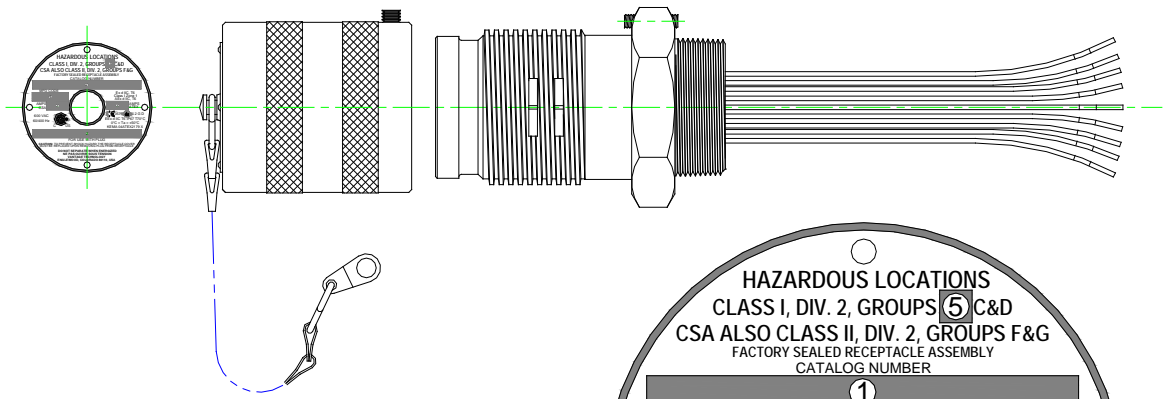
ASSEMBLY, TERMINATION and USAGE INSTRUCTIONS

Identification of Principal Parts

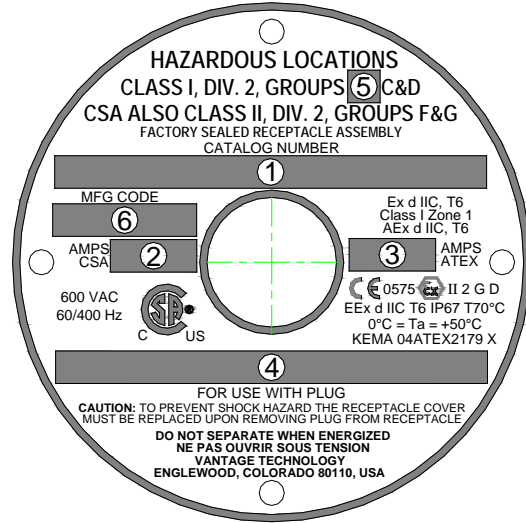


Assembly Notes

1. In the event of breaking of sealing compound, receptacle must be returned to factory for resealing. Otherwise, all manufacturing and third party certifications are void.
2. NPT Receptacles come with three set screws to lock receptacle in place.
3. Check dimension table below for the NPT thread size of your receptacle.
4. When conditions require, lubricate coupling threads with silicone oil, Vantage Part Number VT-9400-21D.
5. Use the receptacle cover mounting tab to prevent cover from being lost while receptacle is in use. **Caution:** To prevent shock hazard the receptacle cover must be threaded onto receptacle when receptacle is not in use. **Attention:** Pour empêcher le risque de choc, remplacez la couverture de réceptacle quand pas en service. **Aandacht:** Om elektroshokgevaar te verhinderen, vervang vergaarbakdekking wanneer niet in gebruik.
6. Use non conductive lubricant when assembling back shell hardware.



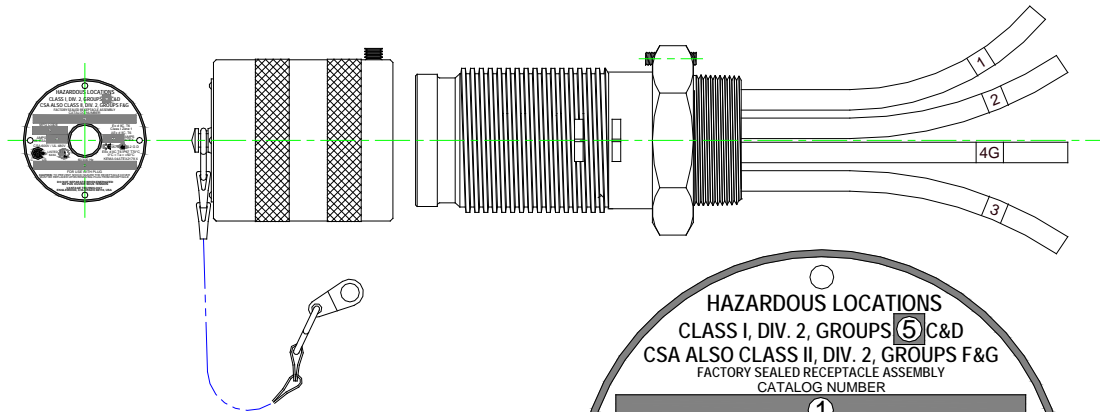
**RECAPITULATION
OF EQUIPMENT MARKINGS
AF/SF CONTROL SERIES**



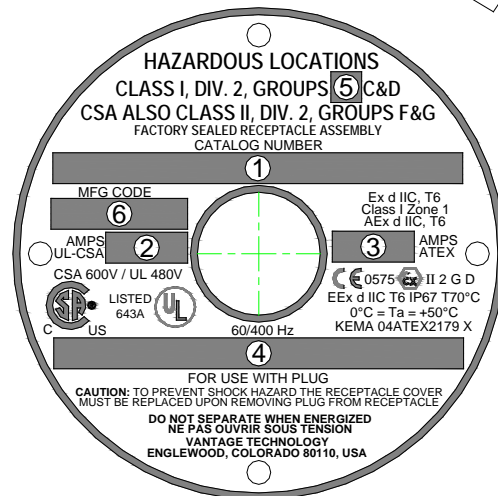
Reference Product Data Sheets for the nameplate data of your NPT receptacle.

Control Series: PDF-AF-SF-NPT

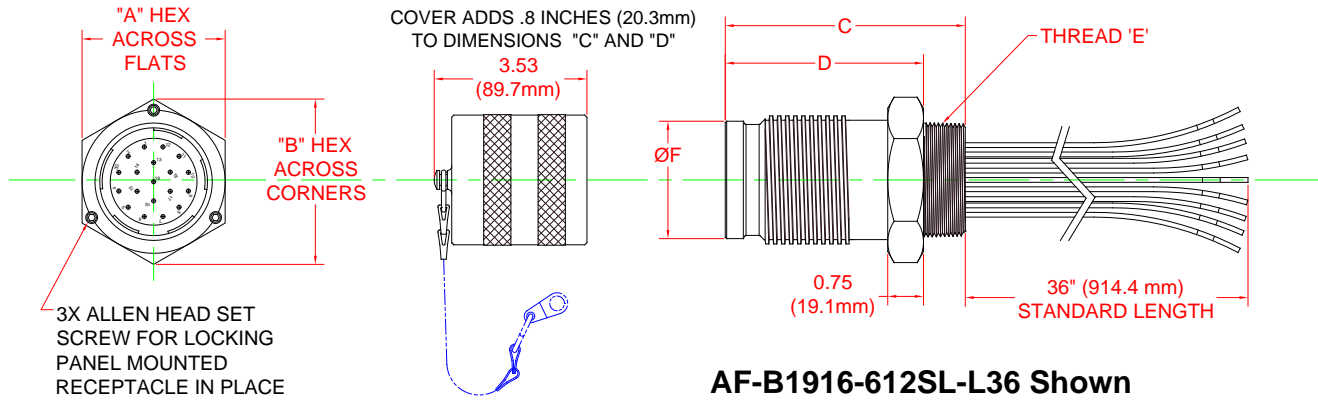
Power Series: PDF-GD-SD-NPT



**RECAPITULATION
OF EQUIPMENT MARKINGS
GB/SB AND GD/SD POWER SERIES**

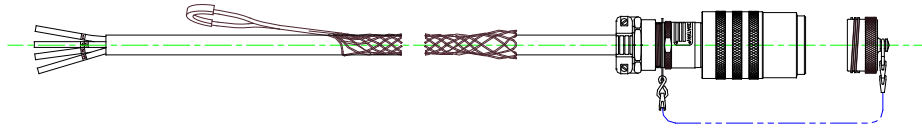


Dimensions



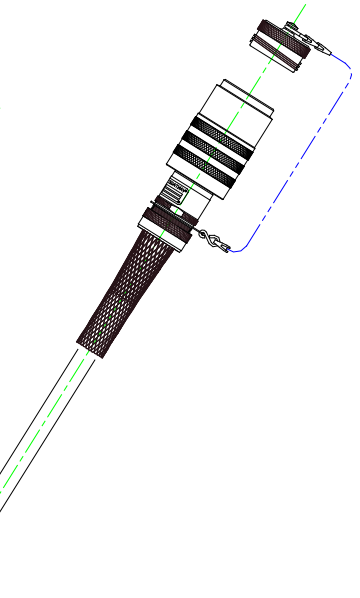
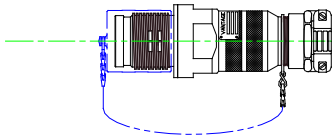
Dimensions for NPT Mount Receptacles							
	Shell Size	A INCHES (mm)	B INCHES (mm)	C INCHES (mm)	D INCHES (mm)	NPT THREAD 'E'	F INCHES (mm)
AF/SF GD/SD	16	2.5 (63.5)	2.875 (73.0)	5 (127.0)	4.156 (105.6)	1 ½ - 11 ½	1.969 (50.0)
	20	3 (76.2)	3.469 (88.1)	5.031 (127.8)	4.156 (105.6)	2 - 11 ½	2.469 (62.7)
	24	3.5 (88.9)	4.031 (102.4)	5.406 (137.3)	4.156 (105.6)	2 ½ - 8	2.969 (75.4)
	28	4 (101.6)	4.625 (117.5)	5.469 (138.9)	4.156 (105.6)	3 - 8	3.469 (88.1)
GB/SB GDU/SDU	16	2.5 (63.5)	2.875 (73.0)	6 (152.4)	5.156 (131.0)	1 ½ - 11 ½	1.969 (50.0)
	20	3 (76.2)	3.469 (88.1)	6.031 (153.2)	5.156 (131.0)	2 - 11 ½	2.469 (62.7)
	24	3.5 (88.9)	4.031 (102.4)	6.406 (162.7)	5.156 (131.0)	2 ½ - 8	2.969 (75.4)
	28	4 (101.6)	4.625 (117.5)	6.469 (164.3)	5.156 (131.0)	3 - 8	3.469 (88.1)

CABLE AND ENCLOSURE ASSEMBLIES Factory Assembly of Connectors and Cable



If your connector(s) arrived pre-assembled to cable and/or other third-party components, consider the following:

1. Follow the instructions and recommended maintenance practices for the attachment plug and/or receptacle.
2. Review the usage instructions on the connector nameplate.
3. For European ATEX applications, in the potentially explosive atmosphere, the unterminated end of an integrally mounted cable shall be terminated in a suitable junction box, e.g. in type of protection flameproof enclosures "d" or increased safety "e".



Note: Electrical installation shall be in compliance with the National Electric Code (NEC), EN/IEC60079-14, and/or any other presiding local or national electrical code.

 **Vantage
Technology**

4140 World Houston Pkwy, Ste 130
Houston, Texas 77032, USA

Voice 303-761-2121
FAX 281-445-7404
E-mail service@VantageXP.com
Web Site www.VantageXP.com